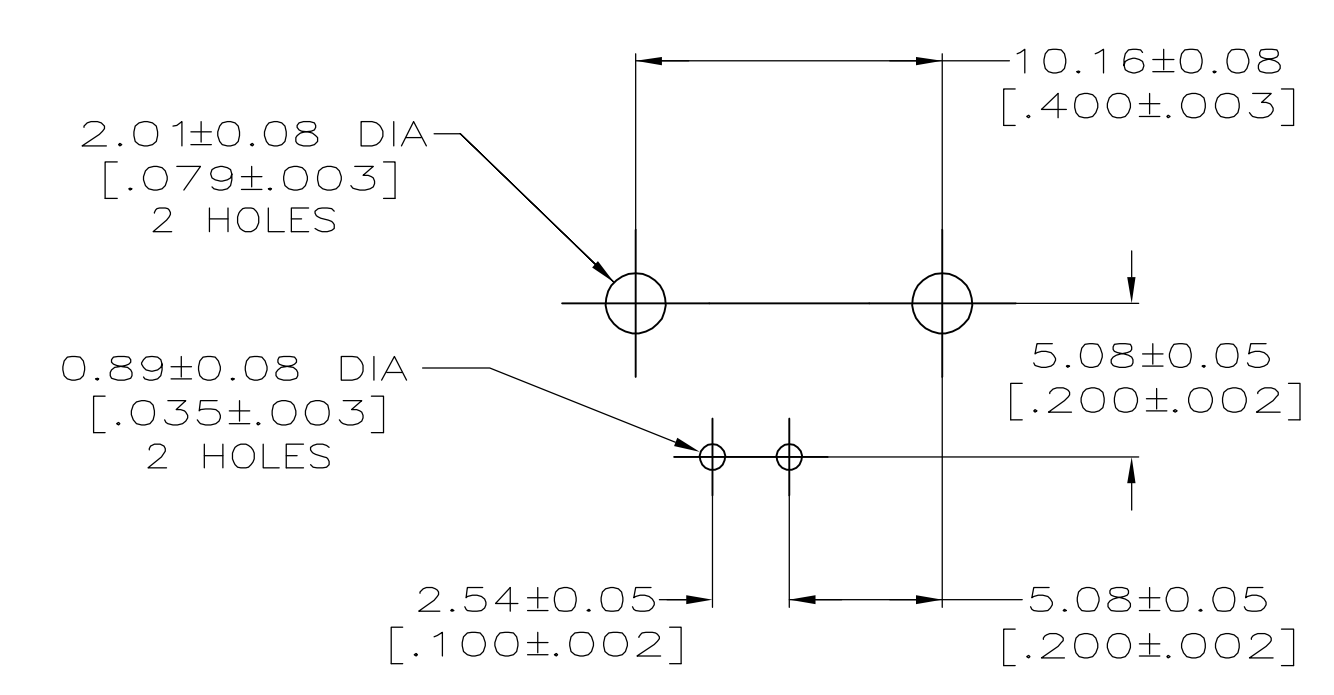
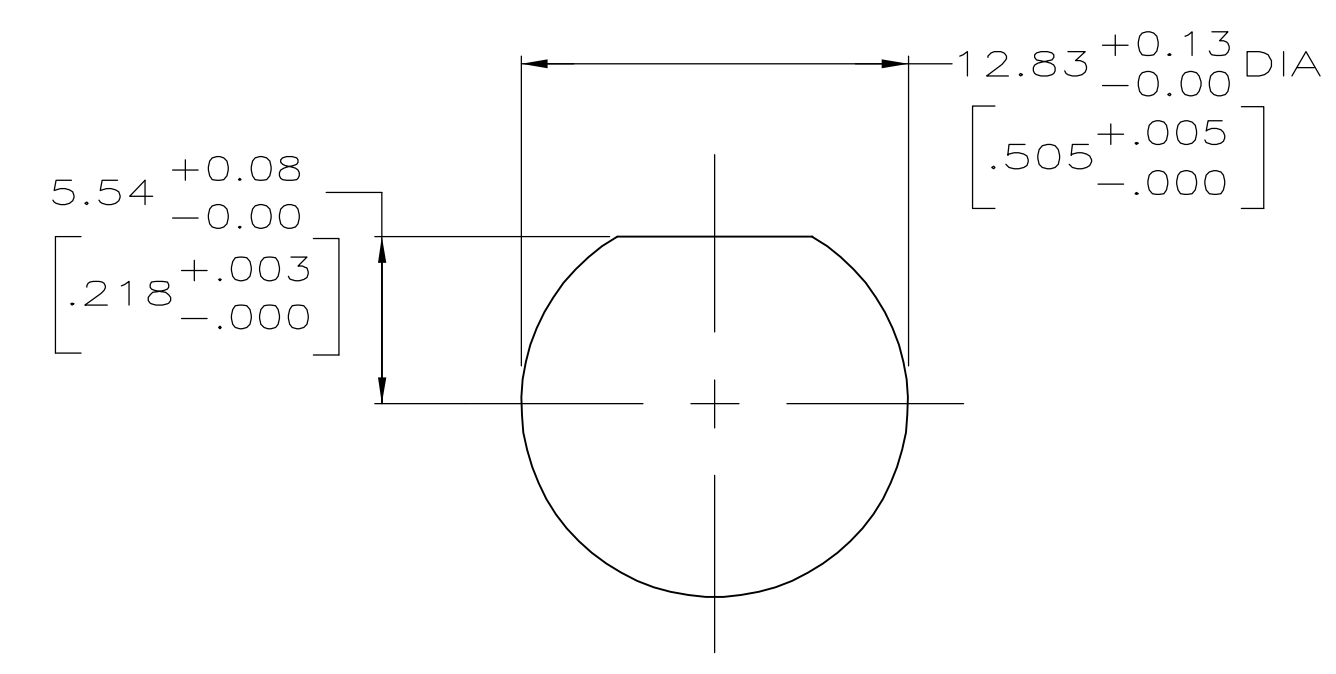
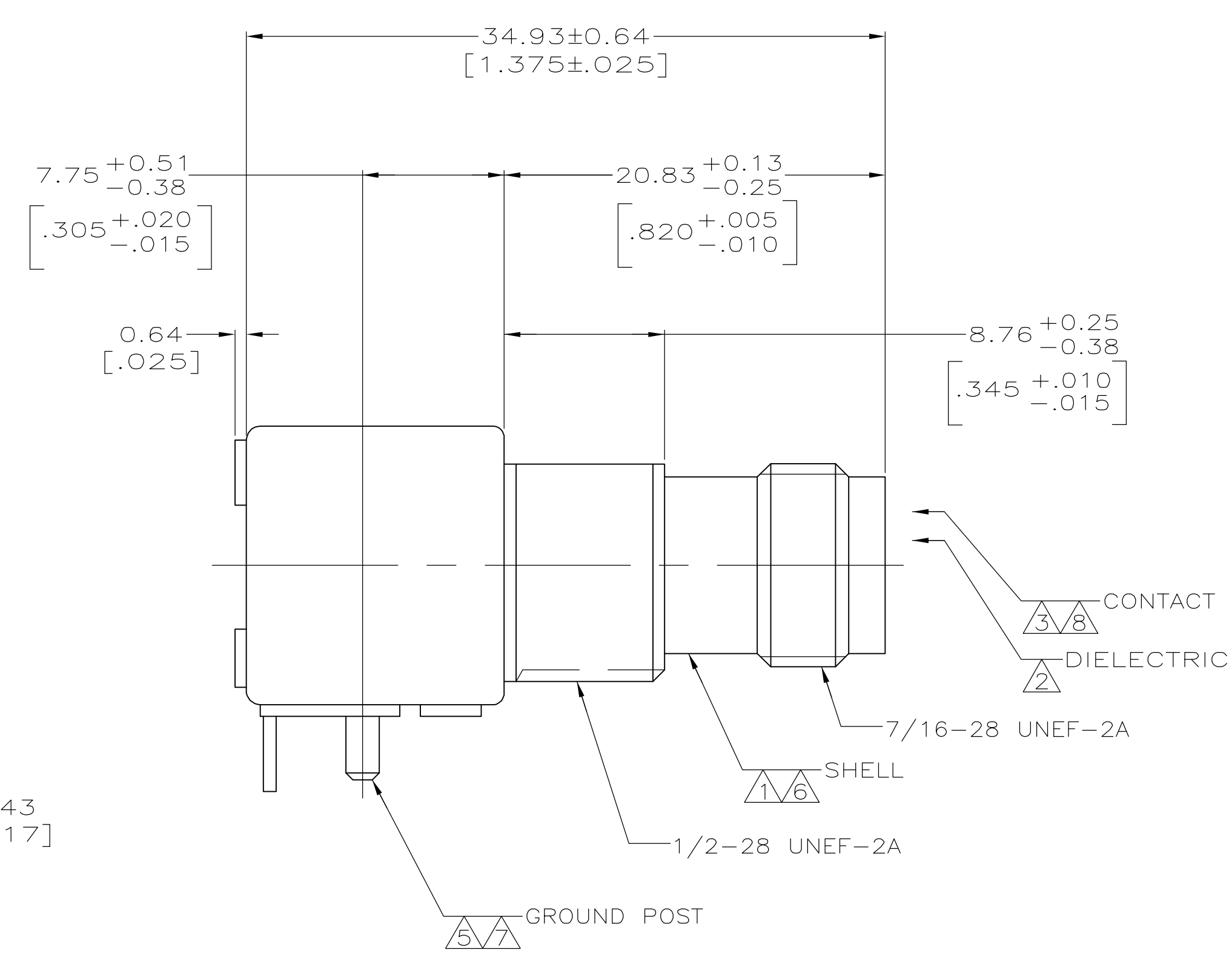
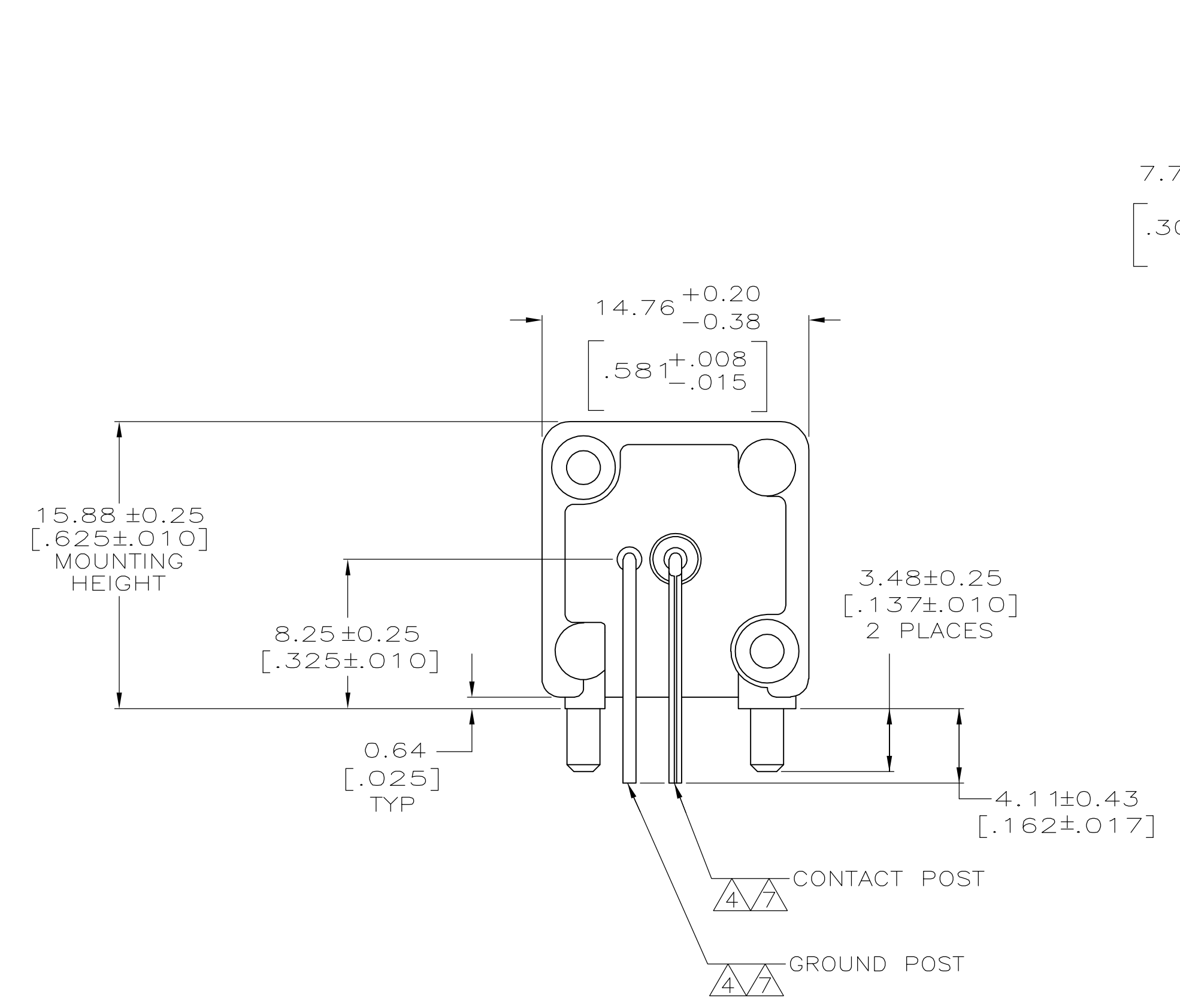


- 1 ZINC PER QQ-Z-363.
- 2 POLYMETHYLPENTENE, GENERAL PURPOSE.
- 3 BERYLLIUM COPPER PER QQ-C-530.
- 4 BRASS PER ASTM-B-453.
- 5 BRASS PER ASTM-B-16.
- 6 NICKEL PLATE PER QQ-N-290, 3.81  $\mu\text{m}$  [.000150] MINIMUM THICK.
- 7 TIN PLATE PER ASTM-B-545, 3.81  $\mu\text{m}$  [.000150] MINIMUM THICK.
- 8 GOLD PLATE PER ASTM-B-488, 0.76  $\mu\text{m}$  [.000030] MINIMUM THICK.
- 9. SEE INSTRUCTION SHEET 408-2769.



RECOMMENDED PANEL CUTOUT

PCB CONFIGURATION

5413506-1  
 PART NUMBER

THIS DRAWING IS A CONTROLLED DOCUMENT.		DWN L. VARELA - 22APR2005		Tyco Electronics Corporation Harrisburg, PA 17105-3608	
DIMENSIONS: mm [INCHES]		CHK J. HAVENER - 22APR2005		NAME J. LIPPERT - 22APR2005	PRODUCT SPEC APPLICATION SPEC
TOLERANCES UNLESS OTHERWISE SPECIFIED:		MATERIAL SEE NOTES 1-5		FINISH SEE NOTES 6-8	
0 PLC ± - 1 PLC ± - 2 PLC ± 0.20 [.008] 3 PLC ± - 4 PLC ± - ANGLES ± -		WEIGHT -		RESTRICTED TO	
CUSTOMER DRAWING		SCALE 4:1		SHEET 1 OF 1	