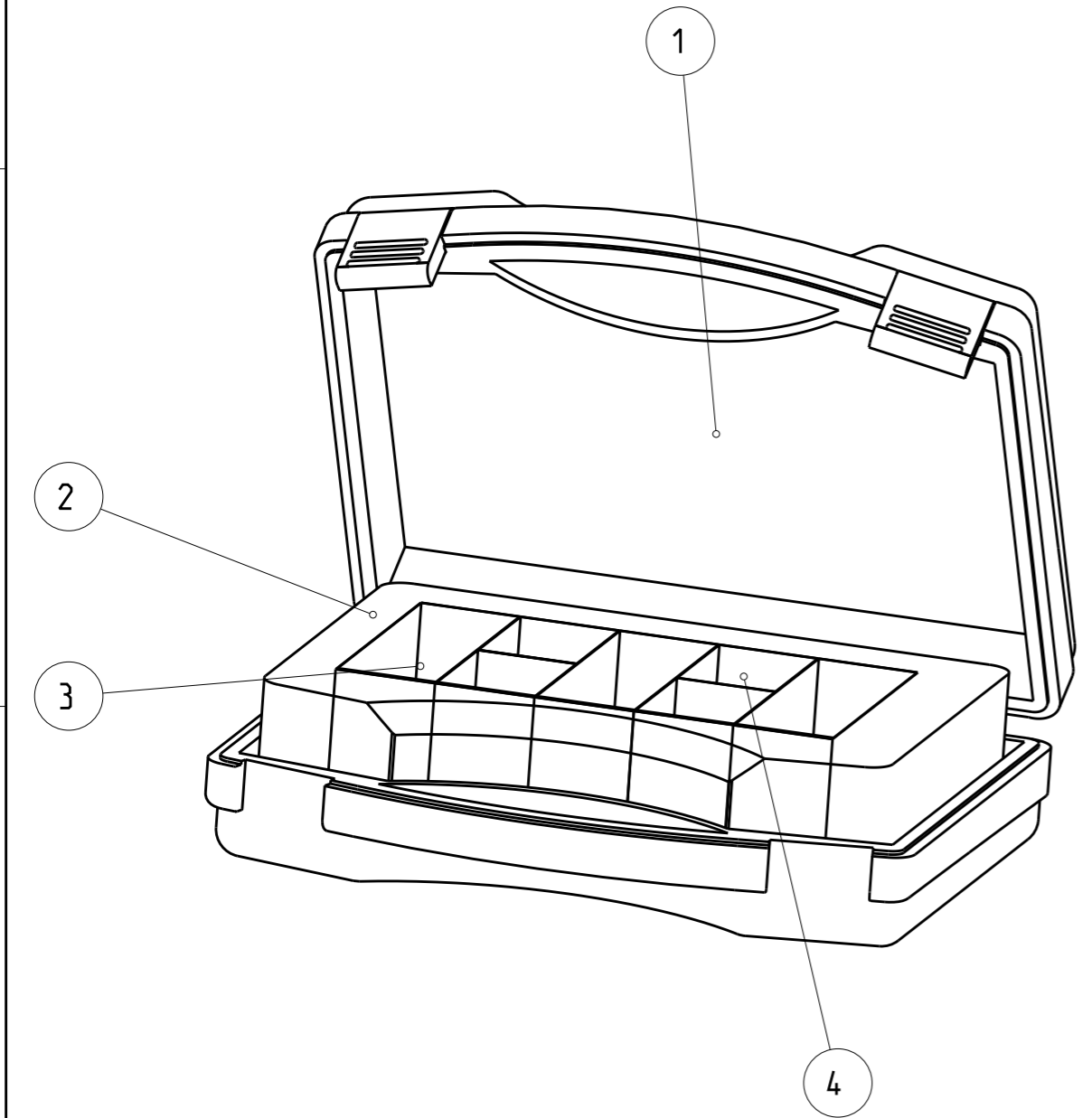



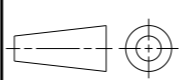
THIS DRAWING IS UNPUBLISHED. RELEASED FOR PUBLICATION 2011

© COPYRIGHT 2011 Tyco Electronics AMP GmbH ALL RIGHTS RESERVED.

LOC	DIST	REVISIONS					
		P	LTR	DESCRIPTION	DATE	DWN	APVD
A1	-		B1	ECR-12-013192	19JUL2012	MB	SB



POS	QTY	FOR	TE/PN	REV	DESCRIPTION	WEAR	SPARE
1	1	A3	5-1579005-1	A	KOFFER SUITCASE BLANK	-	-
2	1	A4	539383-4	A	Koffereinlage case insert	-	-
3	3	A3	1-539383-1	A	FACH EINSATZ	-	-
4	4	A3	1-539383-0	A	FACH EINSATZ	-	-

THIS DRAWING IS A CONTROLLED DOCUMENT.		DWN RAGHAVENDRA 27SEP2011	 TE Connectivity	
DIMENSIONS: mm		CHK KURT L 27SEP2011		
TOLERANCES UNLESS OTHERWISE SPECIFIED:		APVD SIEGERIED B 27SEP2011	NAME SUIT CASE	
		PRODUCT SPEC -	-	
MATERIAL -		FINISH -	APPLICATION SPEC -	RESTRICTED TO -
		WEIGHT -	SIZE A3	CAGE CODE 00779
			DRAWING NO C-539383-5	SCALE 1:5
				SHEET 1 OF 1
				REV B1
				Customer Drawing