

PT. NO.	PARTS NAME	CAT. NO.	MATERIAL	Q'TY	NOTE
1	REEL	—	POLYSTYRENE	1	—
2	PLASTIC (EMBOSS) TAPE	—	PET RESIN OR PP RESIN	—	COLOR : TRANSPARENCY
3	COVER	—	POLYESTER	—	COLOR : TRANSPARENCY
4	CONNECTOR	BTFW_R-3RBTGLF	SEE ATTACHED DWG.	700	—

DIMENSIONS

CATALOG NUMBER	NO. OF CONTACT(ONLY EVEN POS.)	A	B	C
BTFW10~14R-3RBTGE4LF	10~14	37.5	32	28.4
BTFW16~24R-3RBTGE4LF	16~24	49.5	44	40.4
BTFW26~30R-3RBTGE4LF	26~30	61.5	56	52.4

- NOTES
- THIS IS PLASTIC TAPE PACKAGED CONNECTOR USED FOR BOARD TO BOARD COPE WITH AUTOMATIC MOUNTING (SMT).
 - SEE JIS C 0806 (PACKING OF ELECTRONIC COMPONENTS ON CONTINUOUS TAPES (SURFACE MOUNTING DEVICES)) FOR SHAPE AND DIMENSIONS OF PLASTIC (EMBOSS) TAPE AND REEL.
 - THIS DIMENSION IS PORTION OF THE CORE.

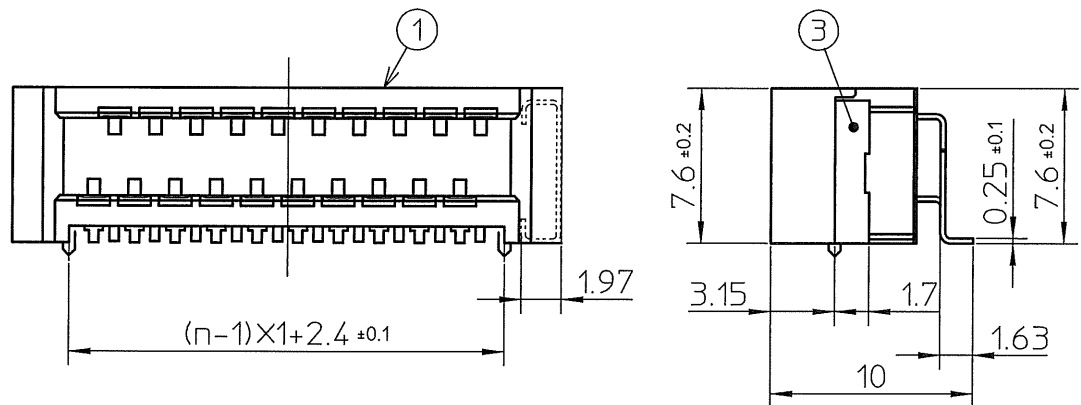
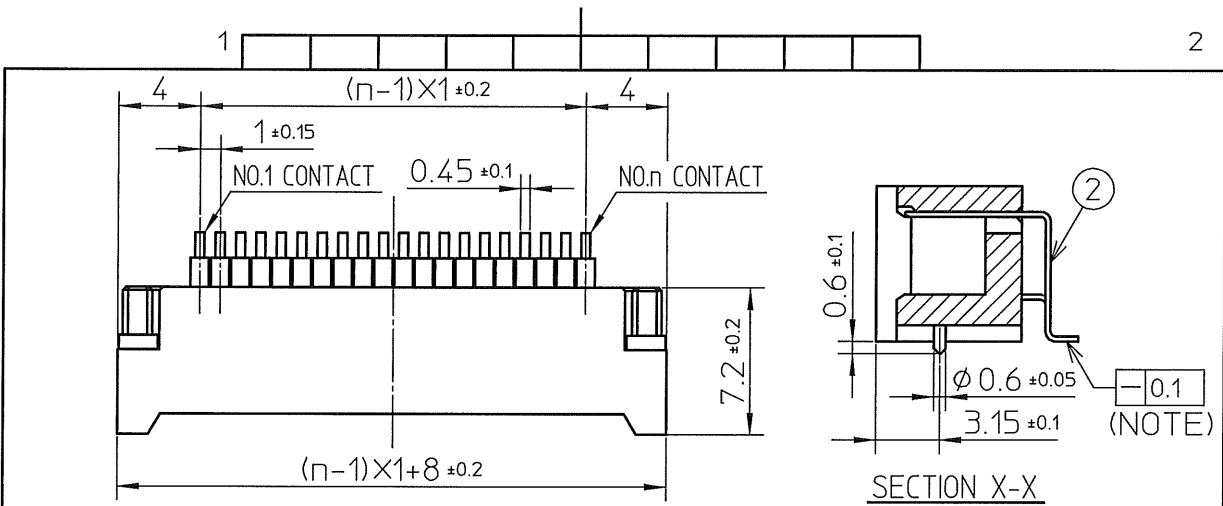
mat'l. code		surface <input checked="" type="checkbox"/> ISO 1302		tolerance <input checked="" type="checkbox"/> ISO 406 <input type="checkbox"/> ISO 1101		projection		product family 590F	
ltr	ecn no	dr	date		tolerances unless otherwise specified				title PLASTIC TAPE PACKAGED BOARD TO BOARD RECEPTACLE CONNECTOR (GOLD PLATING, LEAD FREE AND PLASTIC REEL) (CAT.No.BTFW__R-3RBTGE4LF)
A	J10-0042	M.K	Feb.19,'10		angles	linear	±5	scale	
					±5'				
		dr	M.Koga	Feb.19,'10					
		enr	M.Koga	Feb.19,'10					
		chr	K.Higuchi	Feb.19,'10					
		appd	M.Koga	Feb.19,'10					
sheet index		revision sheet						dwg no JSA 97490 sheet 1 of 1 size A4	
								type Product Customer Drawing	
								Rev A	



FCIconnect.com

Copyright FCI

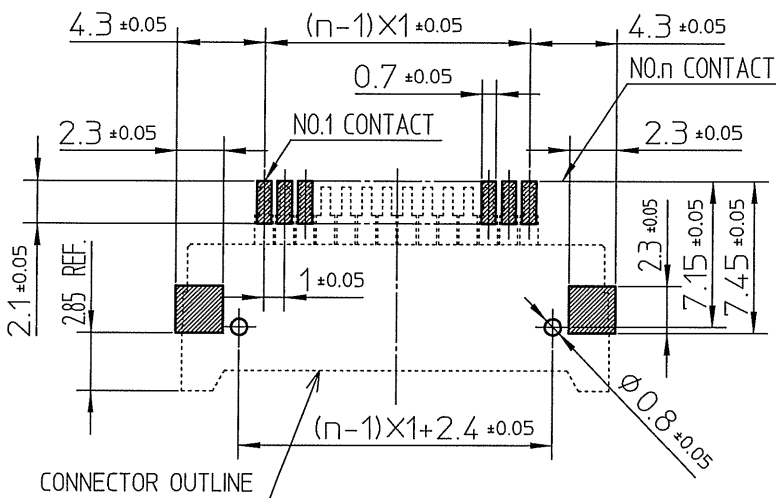




PT. NO.	PARTS NAME	MATERIAL	Q'TY	NOTE
1	HOUSING	GLASS FILLED THERMOPLASTIC RATED.(UL94V-0)	1	COLOR:BRACK
2	CONTACT	BRASS	n	PLATING CONTACT AREA:GOLD OVER NICKL TERMINAL AREA:TIN (LEAD FREE)
3	MOUNTING PLATE	BRASS	2	PLATING:TIN (LEAD FREE)

RECOMMENDED PC BOARD LAYOUT
(COMPONENT SIDE)

n:NO. OF CONTACTS
(10 TO 30 , ONLY EVEN POS.)



NOTE
1.Flatness for contact terminal and mounting plate must be within 0.1.
2.This product meets European Union Directives and other country regulations as described in GS-22-008.

mat'l. code				surface ISO 1302 ✓		tolerance ISO 406 ISO 1101		projection		product family 590F		
ltr	ecn no	dr	date	tolerances unless otherwise specified						title FLOATING BOARD TO BOARD RECEPTACLE CONNECTOR (GOLD PLATING AND LEAD FREE) (CAT.No.BTFW__R-3RBTGLF)		
A	J10-0042	M.K	Feb.19,'10	angles	linear	±0.3						scale
				dr	K.Higuchi	Feb.19,'10			dwg no		sheet 1 of 1	size
				enrg	M.Koga	Feb.19,'10			JSA 97491		A4	
				chr	K.Higuchi	Feb.19,'10			type		Product Customer Drawing	
				appd	M.Koga	Feb.19,'10						
sheet index		revision sheet										Rev
												A



FCIconnect.com

Copyright FCI