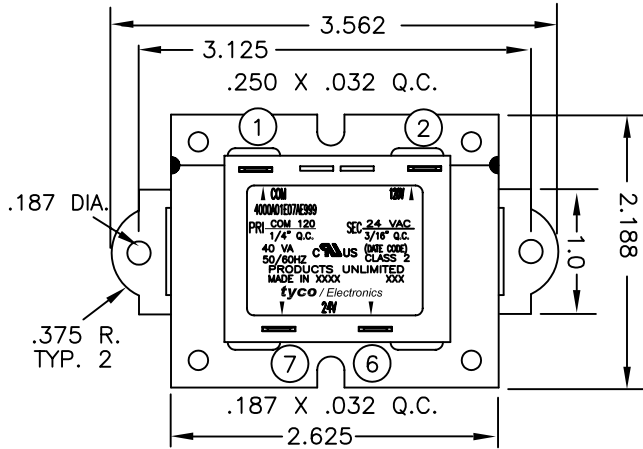


THIS DRAWING IS UNPUBLISHED. RELEASED FOR PUBLICATION  
 © COPYRIGHT BY TYCO ELECTRONICS CORPORATION. ALL RIGHTS RESERVED.

LOC GZ DIST 00

REVISIONS

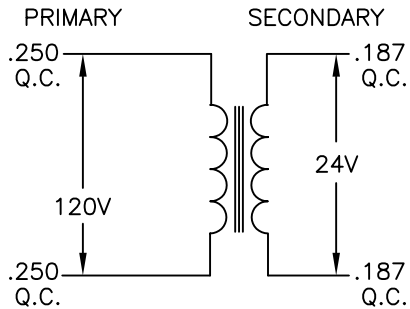
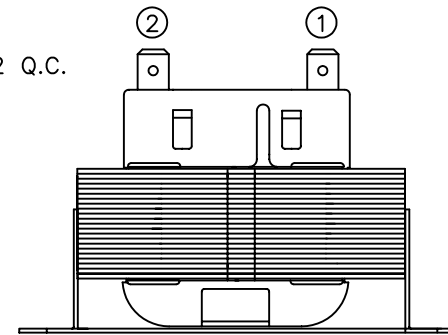
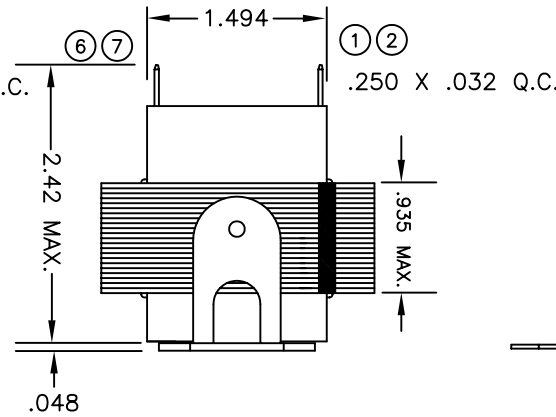
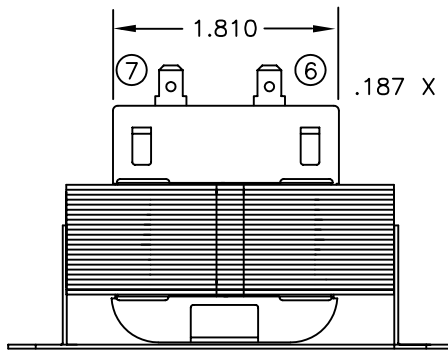
P	LTR	DESCRIPTION	DATE	DWN	APVD
0		0720-0346-04	02JUN04	KH	HT



PRIMARY						SECONDARY				
TERM NO.	1	2	3	4	5	TERM NO.	6	7	8	9
VOLTAGE	COM	120				VOLTAGE	24	VAC		
TERMINAL WIDTH	.250	.250				TERMINAL WIDTH	.187	.187		
TERMINAL THICKNESS	.032	.032				TERMINAL THICKNESS	.032	.032		

- NOTES  
 1. DIMENSIONS FOR REFERENCE ONLY.  
 2. WINDING PROTECTION-INHERENTLY LIMITING

CERTIFICATION:UL/CUL FILE NO E87824



SCHEMATIC

TYCO PART NUMBER  
6-1611471-7

THIS DRAWING IS A CONTROLLED DOCUMENT.		DWN K.H.	02JUN04	Tyco Electronics Corporation Harrisburg, PA 17105-3608	
DIMENSIONS: INCHES		CHK -	APVD DH	NAME	
TOLERANCES UNLESS OTHERWISE SPECIFIED: 0 PLC ± - 1 PLC ± - 2 PLC ± .010 3 PLC ± .005 4 PLC ± - ANGLES ± -		PRODUCT SPEC -	APPLICATION SPEC -	TRANSFORMER OUTLINE P.U. STOCK	
MATERIAL -	FINISH -	WEIGHT -	SIZE A3	CAGE CODE 00779	DRAWING NO C=4000A01E07AE999
CUSTOMER DRAWING			SCALE NTS	SHEET 1 OF 1	RESTRICTED TO 0