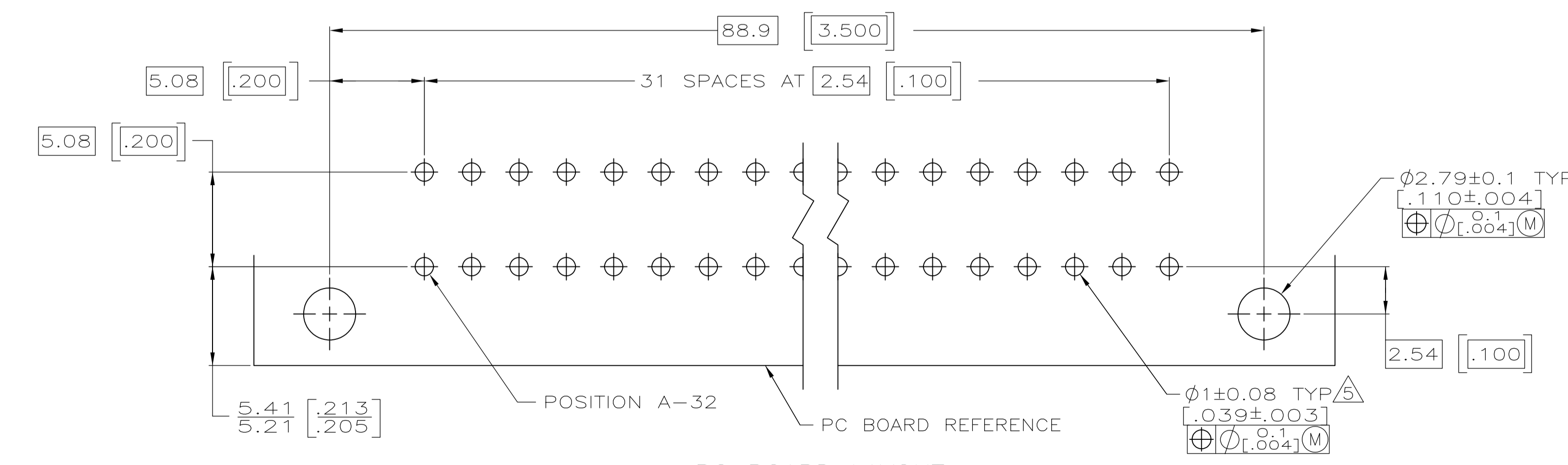
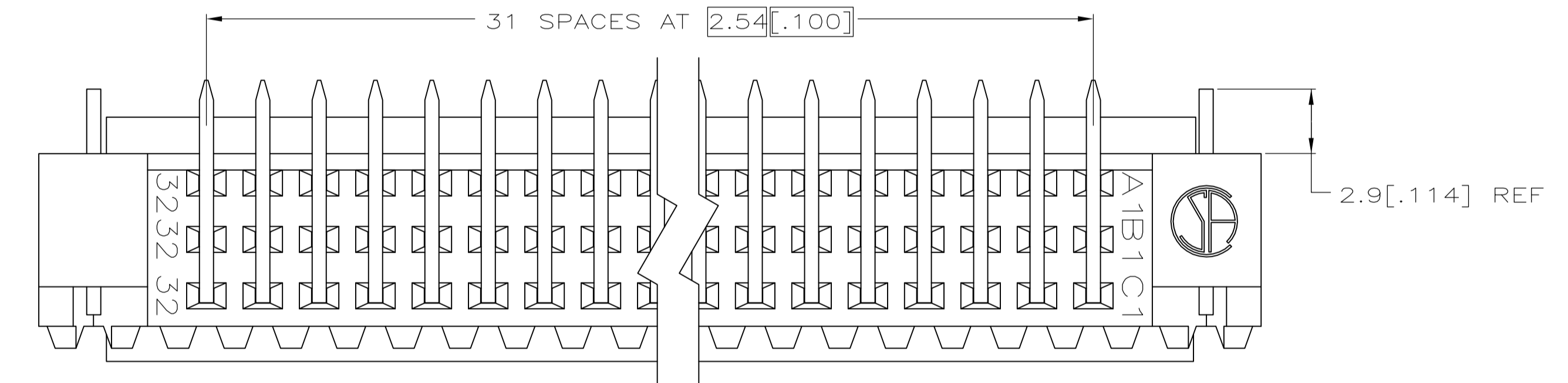
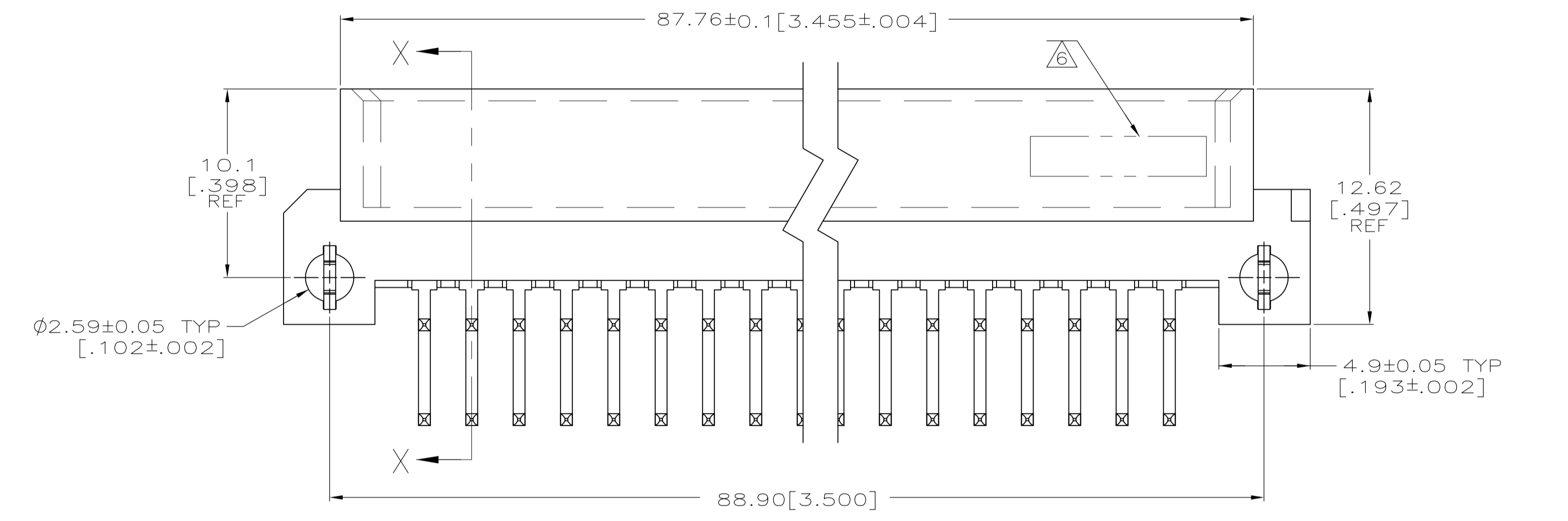
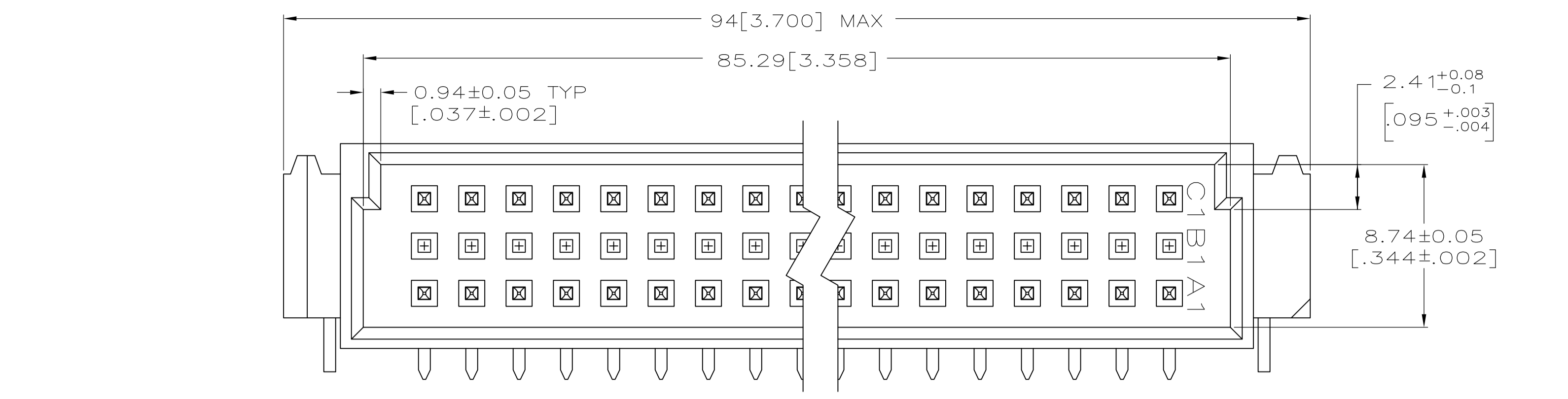
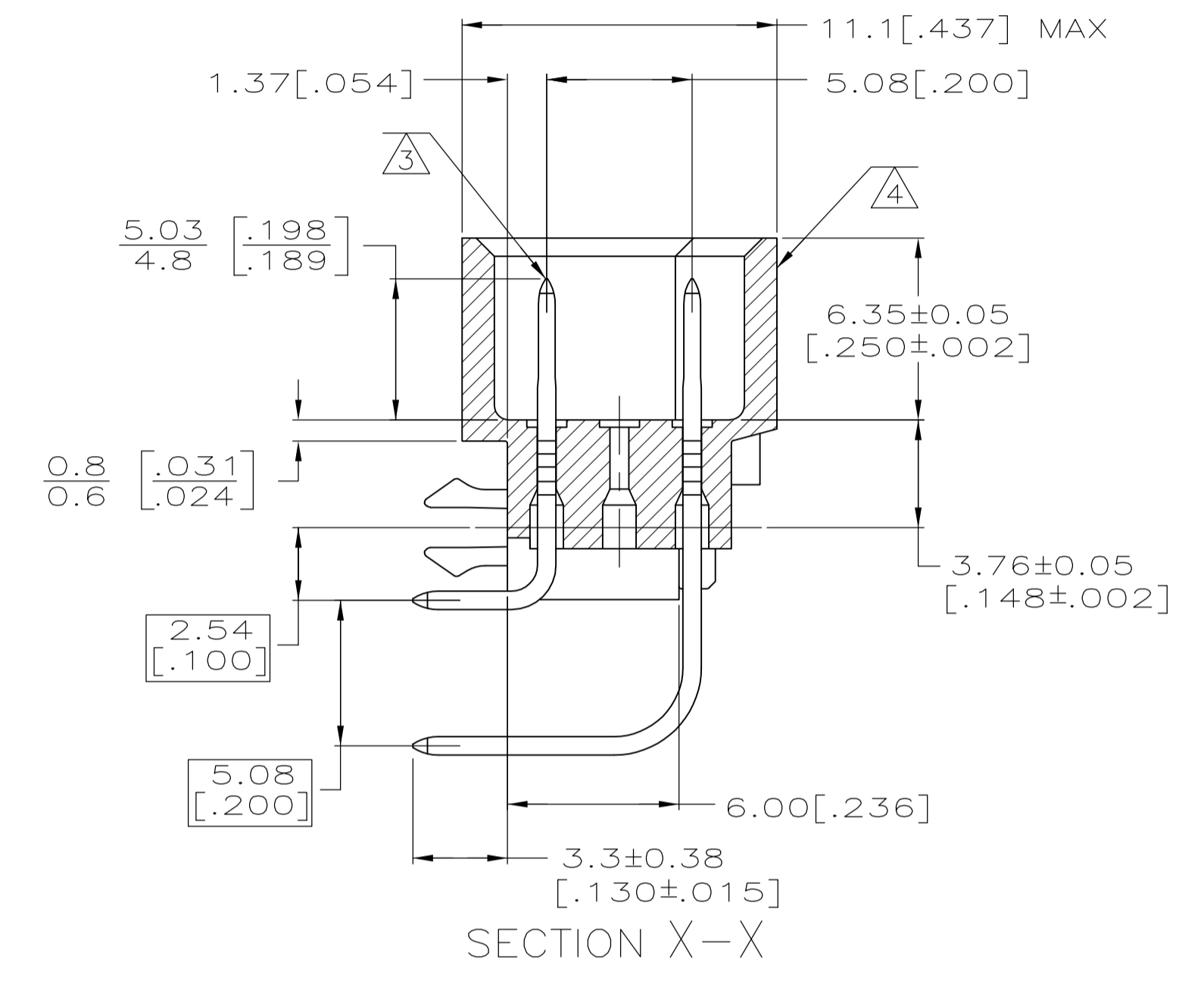


LOC		DIST		REVISIONS			
P	LTR	DATE	DMN	APVD			
AD	25	01			REVISED PER ECO-07-018157	21AUG07	DH DB



PC BOARD LAYOUT
 RECOMMENDED PC BOARD THICKNESS 1.57[.062]

- 1 HOUSING MATERIAL: GLASS-FILLED POLYMER.
- 2 POST MATERIAL: COPPER ALLOY.
- 3 POST FINISH: DIN 41612 CLASS 2 IN CONTACT AREA. TIN PLATE ON POSTS.
- 4 MARKING ON THIS SIDE.
- 5 RECOMMENDED HOLE SIZE FOR MANUAL APPLICATION OF CONNECTOR ONTO PC BOARD.
- 6 [PART NUMBER, DATE CODE] MARKED THIS APPROXIMATE AREA.



1-32	X	-	X	64	5536406-5
POSITIONS LOADED	C	B	A	NO. OF LOADED POSITION	ASSY PART NUMBER

THIS DRAWING IS A CONTROLLED DOCUMENT.		DIN J. POLIGNONE CIRK A. SHARPE		Tyco Electronics Corporation Harrisburg, PA 17105-3608	
DIMENSIONS: mm [INCHES]		TOLERANCES UNLESS OTHERWISE SPECIFIED:		NAME: ASSEMBLY, PIN, EUROCARD, TYPE C, A and C, 64/96 POSITION, 3.30[.130] SOLDER POST, WITH BOARD-LOCKS	
0 PLC ± -		1 PLC ± -		PRODUCT SPEC	
2 PLC ± 0.13[.005]		3 PLC ± -		APPLICATION SPEC	
4 PLC ± -		ANGLES ± -		SIZE: A1	
MATERIAL		FINISH		CAGE CODE: 00779	
WEIGHT		DRAWING NO: 5536406		RESTRICTED TO	
CUSTOMER DRAWING		SCALE: 5:1		SHEET 1 OF 1	