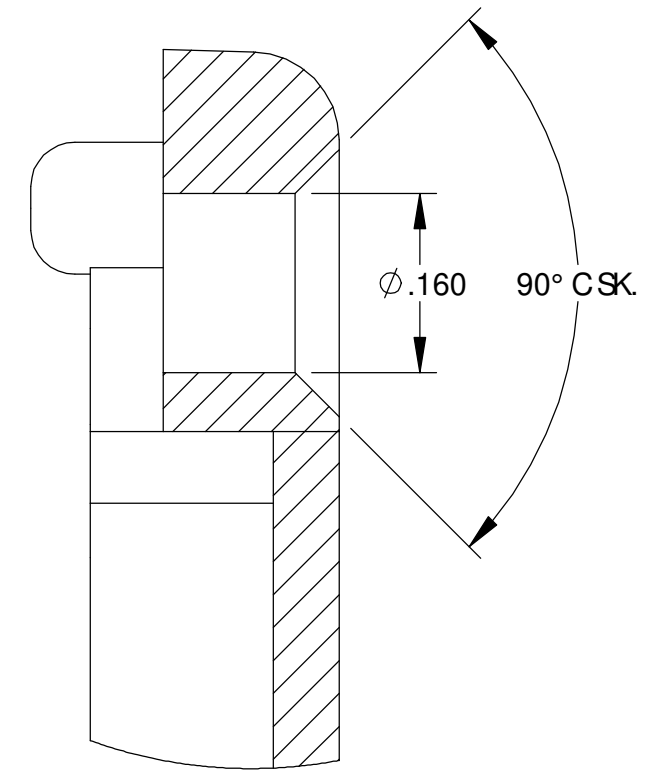
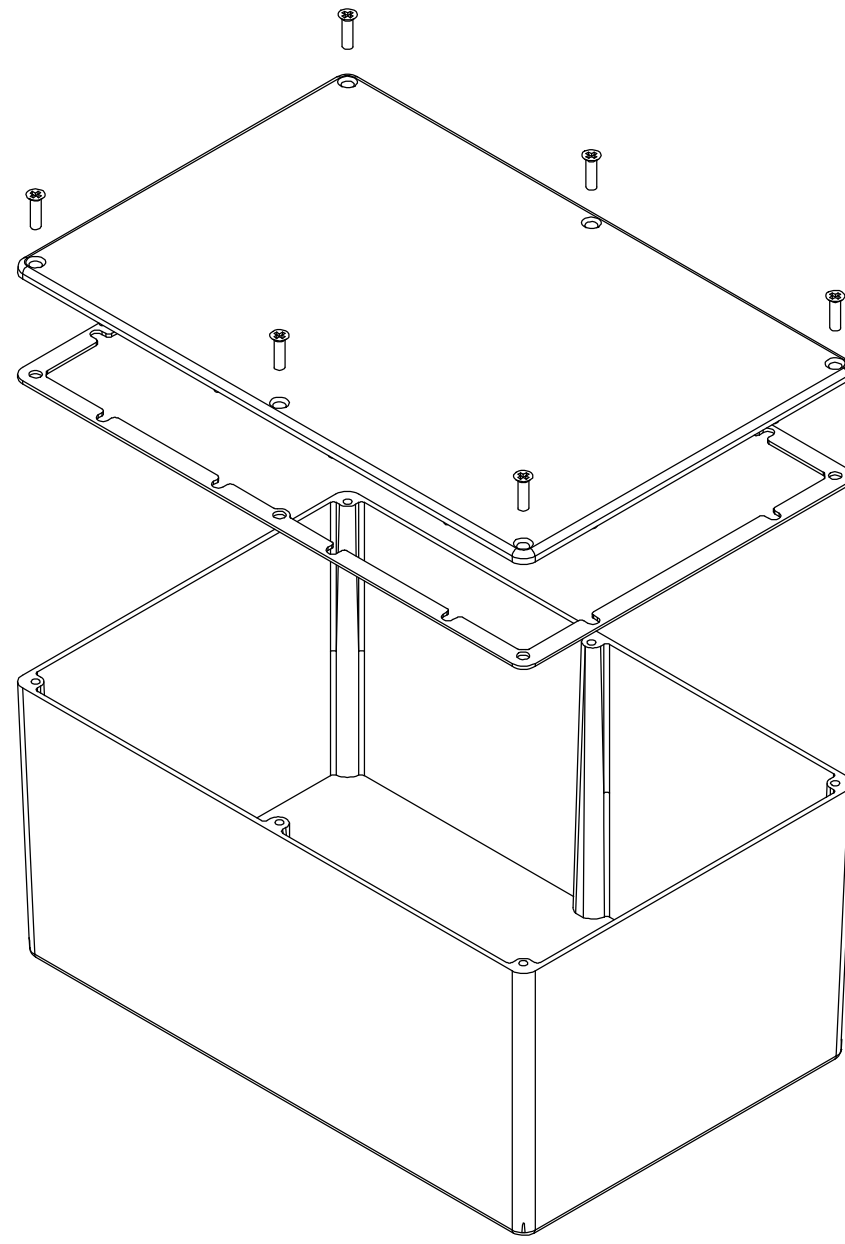


THE INFORMATION CONTAINED IN THIS DRAWING IS THE SOLE PROPERTY OF BUD INDUSTRIES INC. ANY REPRODUCTION IN PART OR WHOLE WITHOUT THE WRITTEN PERMISSION OF BUD INDUSTRIES INC. IS PROHIBITED.

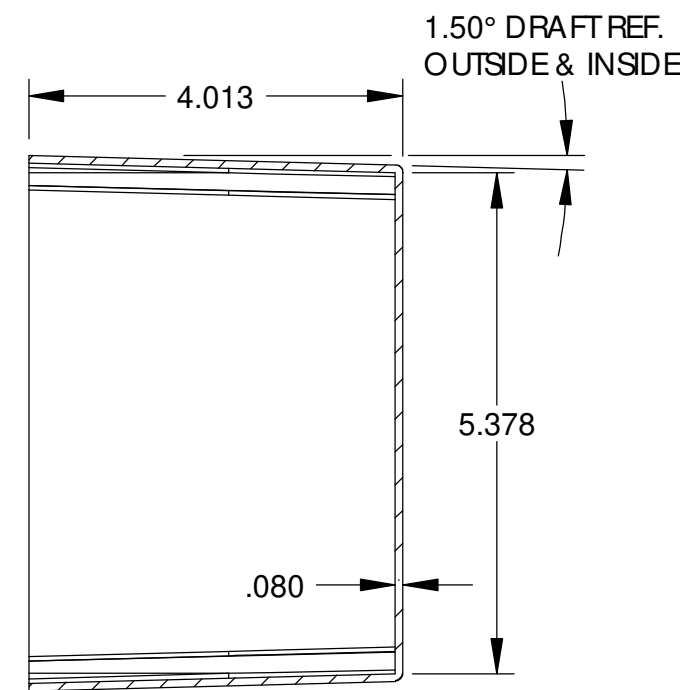
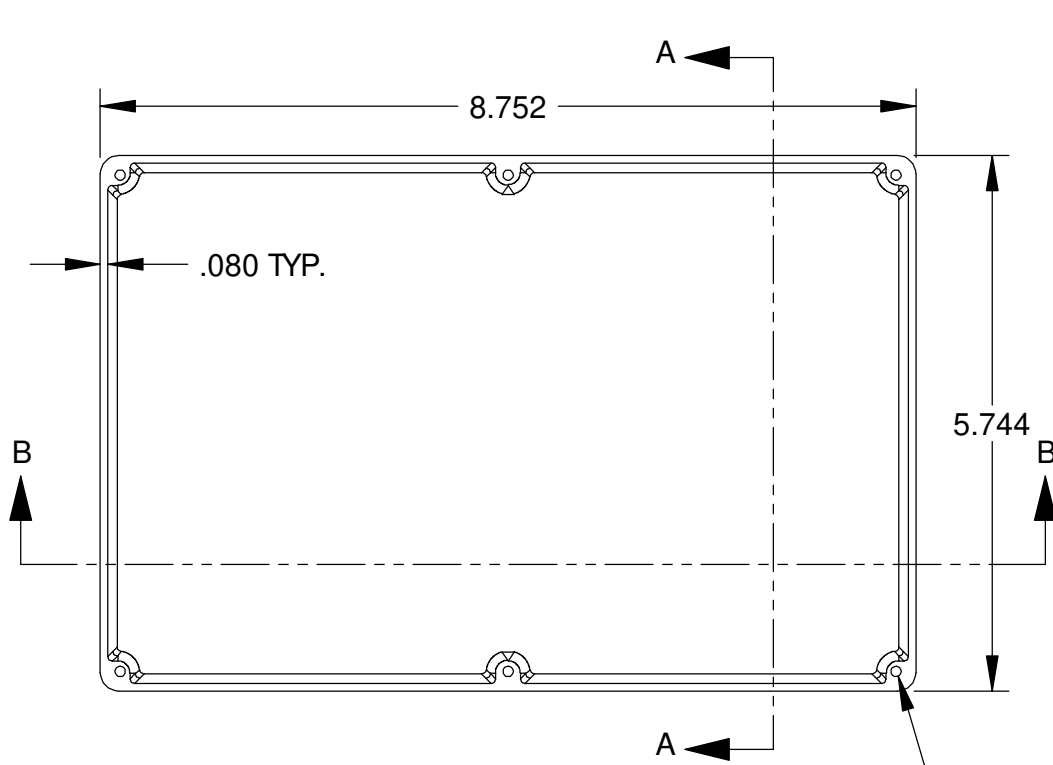
DWG. NO.	CN-5712
ISSUE	REVISIONS

MATERIAL - ALUMINUM ALLOY #ADC-12  
 FINISH - NATURAL (CONTACT BUD FACTORY FOR ALTERNATE FINISHES)  
 GASKET - RATED IP65 NEOPRENE, SELF-ADHESIVE, 3mm THICK, COLOR BLACK  
 SCREWS - STAINLESS STEEL, M3.5 x 12mm LG., C.S.K. HEAD, SELF-THREADING

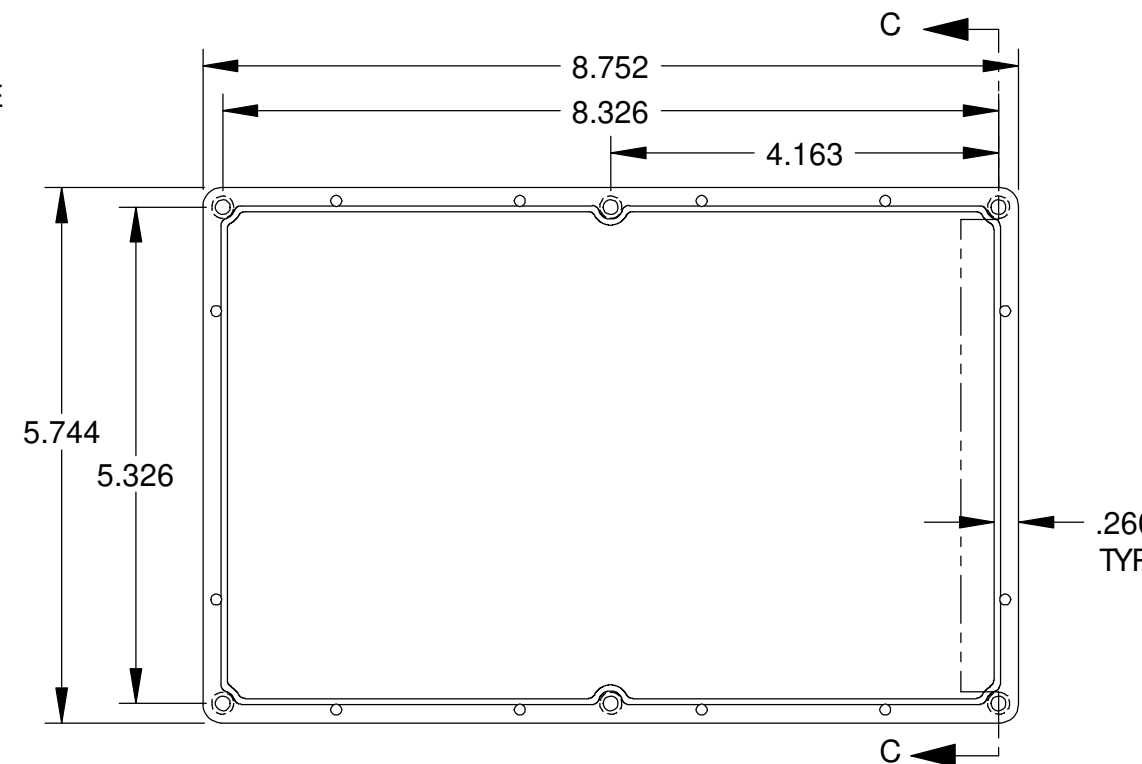
ALL HOLE DIAMETERS HAVE ±.005 TOLERANCE  
 ALL OTHER DIMENSIONS HAVE ±.015 TOLERANCE  
 ENCLOSURES ARE SHIPPED UNASSEMBLED WITH ALL ITEMS SHOWN.



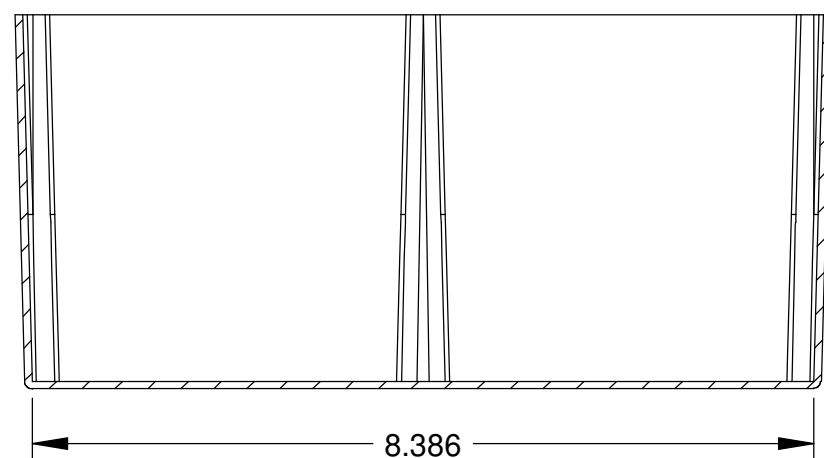
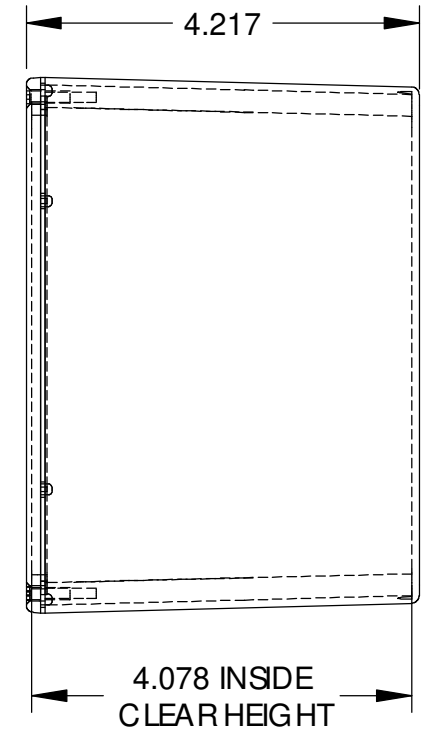
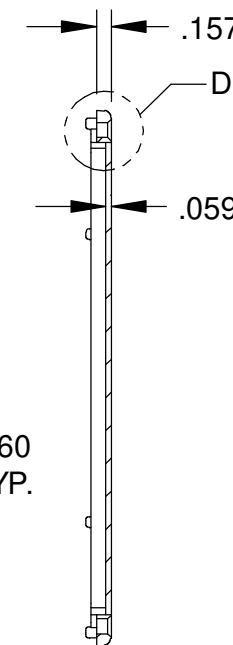
DETAIL D  
SCALE 6 : 1



SECTION A-A



SECTION C-C



SECTION B-B

BODY

COVER

TAPPED M3.5 (6x)

PARTS LIST			
±.005 BETWEEN HOLE CENTERS	CAD GENERATED DRAWING, DO NOT MANUALLY UPDATE		
±.015 FROM SHEARED EDGE	DO NOT MANUALLY UPDATE		
±.032 FROM A BENT SURFACE			
±.062 BETWEEN ASSEMBLED SURFACES			
UNLESS OTHERWISE SPECIFIED			
MATERIAL	AS NOTED	APPROVED	
FINISH	AS NOTED	APPROVED	
QTY.	USED ON	DO NOT SCALE DRAWING	

APPROVALS	DATE	<b>BUD INDUSTRIES INC.</b>  <b>DIE CAST ALUMINUM ENCLOSURE</b>
DRAWN: DAB	3-31-06	
CHECKED:		DWG. NO. CN-5712 SHEET 1 OF 1