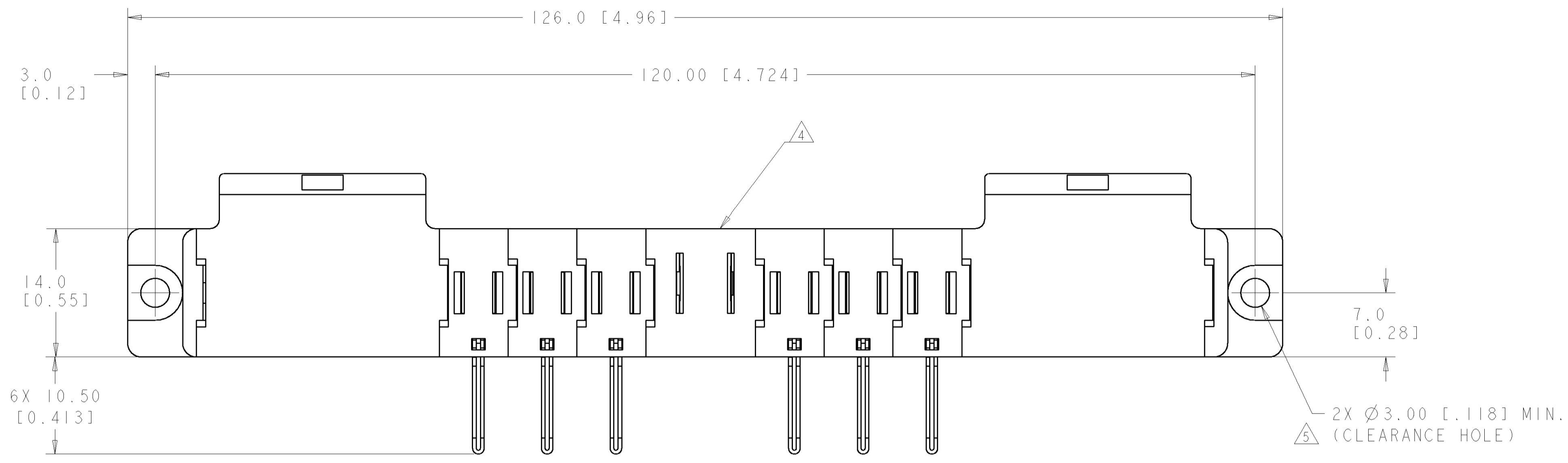


LOC	DIST	REVISIONS			
P	LTR	DESCRIPTION	DATE	DWN	APVD
A		RELEASED	20FEB2006	RG	PD



- PART NUMBER CHANGES AND OR DESIGN CHANGES AFFECTING ITEM INTERCHANGEABILITY REQUIRE PRIOR TYCO APPROVAL AND AUTHORIZATION BY REVISION TO THIS DRAWING.
- MATERIAL:
 - INSULATORS - THERMOPLASTIC, GLASS REINFORCED, COLOR: BLACK
 - UL94V-0 FLAMMABILITY RATED.
 - POWER CONTACTS - PHOSPHOR BRONZE ALLOY, COPPER ALLOY
 - SIGNAL CONTACTS - BRASS ALLOY
 - CROWN BANDS - BERYLLIUM COPPER ALLOY
- FINISH:
 - CONTACTS - GOLD PLATE .000030" MIN. THK., OVER NICKEL .000050" MIN. THK.
 - SOLDER TAILS TIN .000120" MIN THK. OVER NICKEL .000050" MIN. THK.

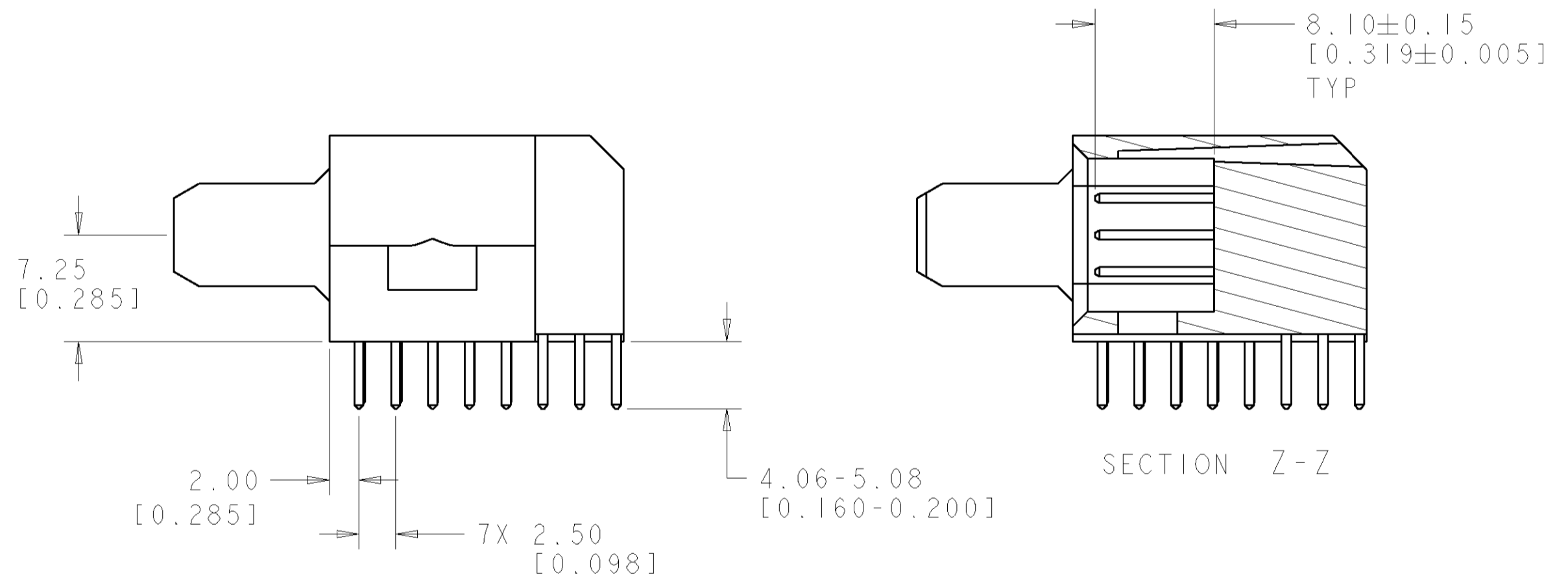
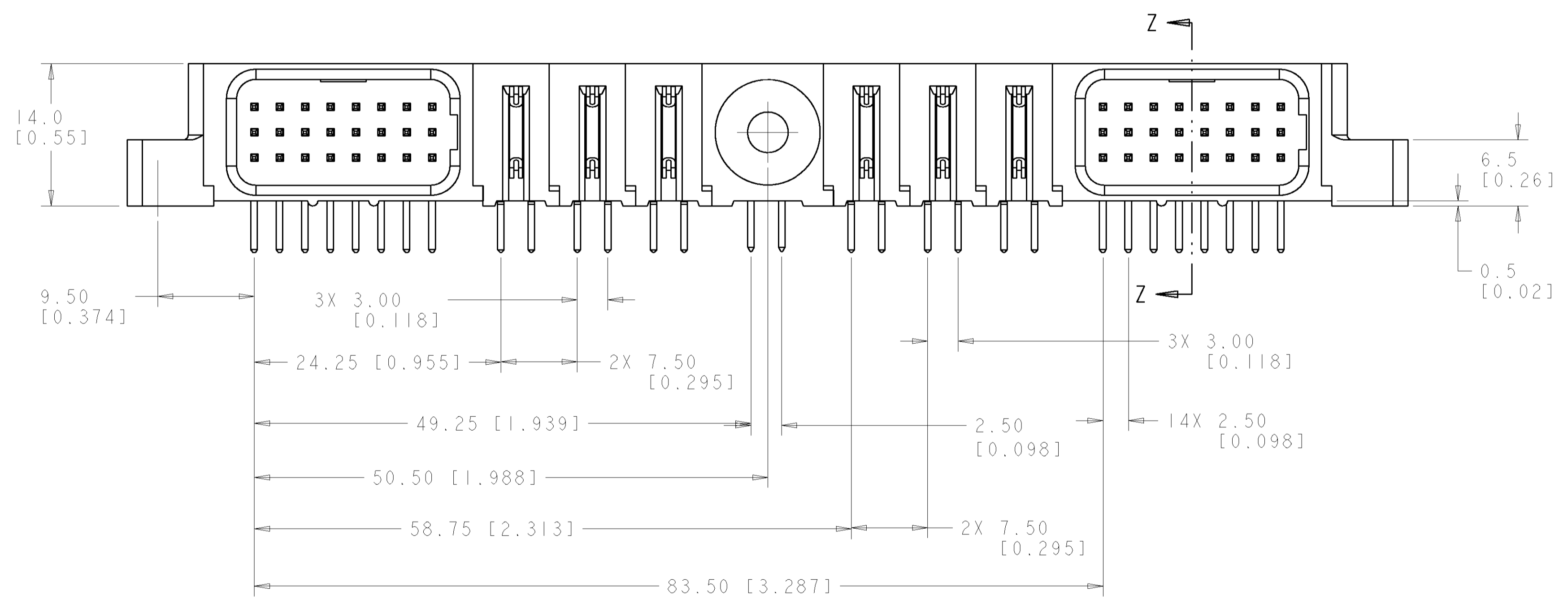
△ ITEMS PROVIDED TO THIS SPECIFICATION TO BE PERMANENTLY IDENTIFIED PER THE FOLLOWING IDENTIFIER LABEL

YEAR WEEK

TYCO PART NO. DATE CODE (e.g. 0106)

XXXXXXX-X XXXX

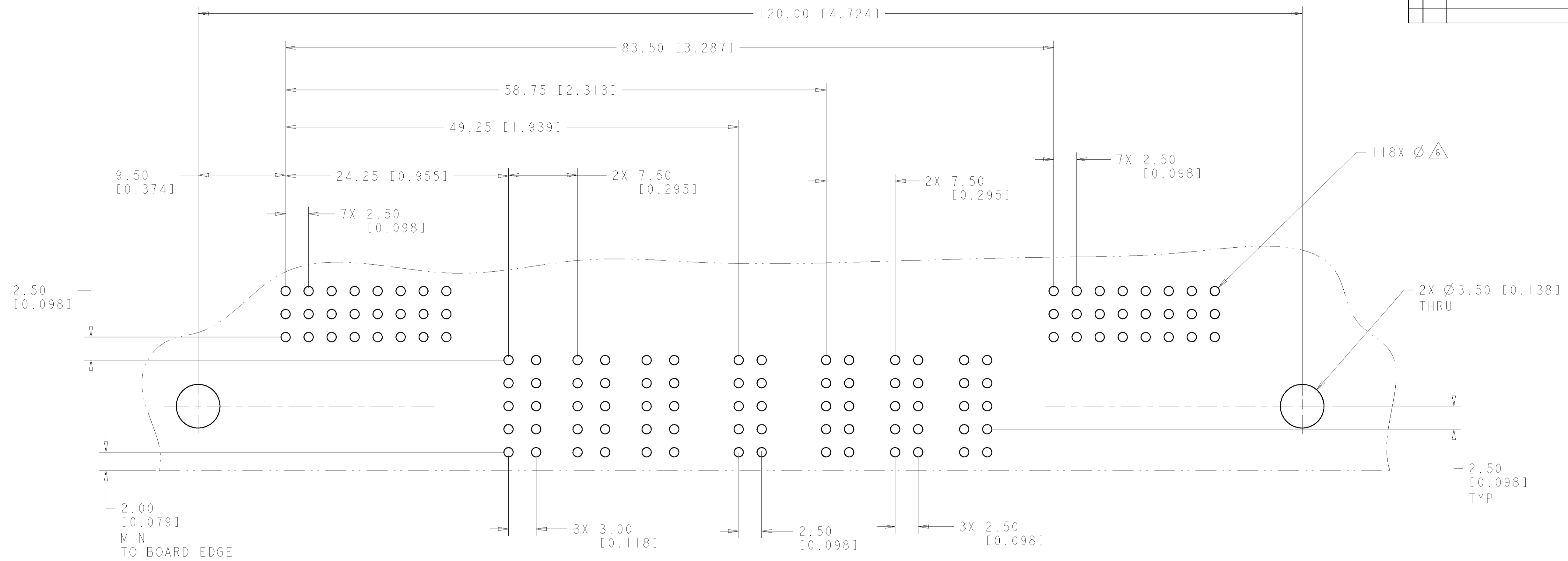
△ MOUNTING FLANGES ACCEPT M3 OR #4-40 SCREWS (USER SUPPLIES).



ELCON FLATPAQ

DIMENSIONS: mm [INCHES] TOLERANCES UNLESS OTHERWISE SPECIFIED: 0 PLC ±.5 [.020] 1 PLC ±.5 [.020] 2 PLC ±.5 [.020] 3 PLC ±.5 [.020] 4 PLC ±.5 [.020] ANGLES ±.5		DWN: R. GRZYBOWSKI 240CT06 CHK: P. DAMATO 240CT06 APVD: S. FLICKINGER 240CT06		AS SHOWN 6646887-1 DESCRIPTION PART NUMBER	
MATERIAL: - FINISH: -		PRODUCT SPEC: - APPLICATION SPEC: - WEIGHT: - CUSTOMER DRAWING		Tyco Electronics Harrisburg, PA 17105-3608 PIN CONNECTOR ASSEMBLY RIGHT ANGLE SOLDER TAILS SIZE: CAGE CODE: DRAWING NO: RESTRICTED TO: A 00779 C=6646887 SCALE: 4:1 SHEET 1 OF 3 REV A	

LOC	DIST	REV	DATE	BY	APPD
GP	00				
DESCRIPTION			DATE	BY	APPD
SEE SHEET 1			-	-	-



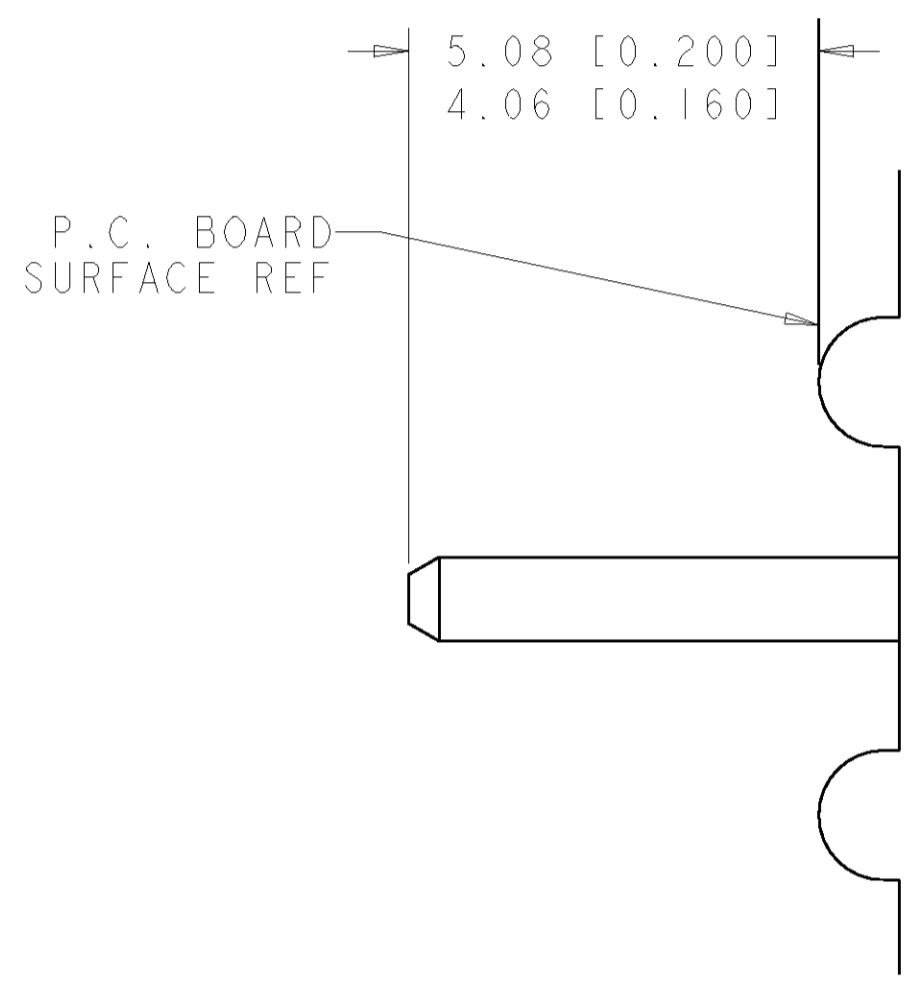
PRINTED CIRCUIT LAYOUT
 COMPONENT SIDE

CONNECTOR	CATALOG MODULE #	QTY	SIZE NO.	CONTACT QTY	MATING PIN	MAX. CURRENT (PER CONTACT)	CONTACT SPACING	VOLTAGE RATING
PIN	FP105	6	8	6	1.25 X 7.00 [.049 X .276]	35 amps	7.50 [0.2953]	250
	FP302	2	22	48	.64 [0.025] SQ.	3 AMPES	2.50 [0.0984]	125
	FP516	1	ACTIVATED RIGHT ANGLE GUIDE SOCKET					
	FP500	1	LEFT MOUNTING FLANGE					
	FP501	1	RIGHT MOUNTING FLANGE					

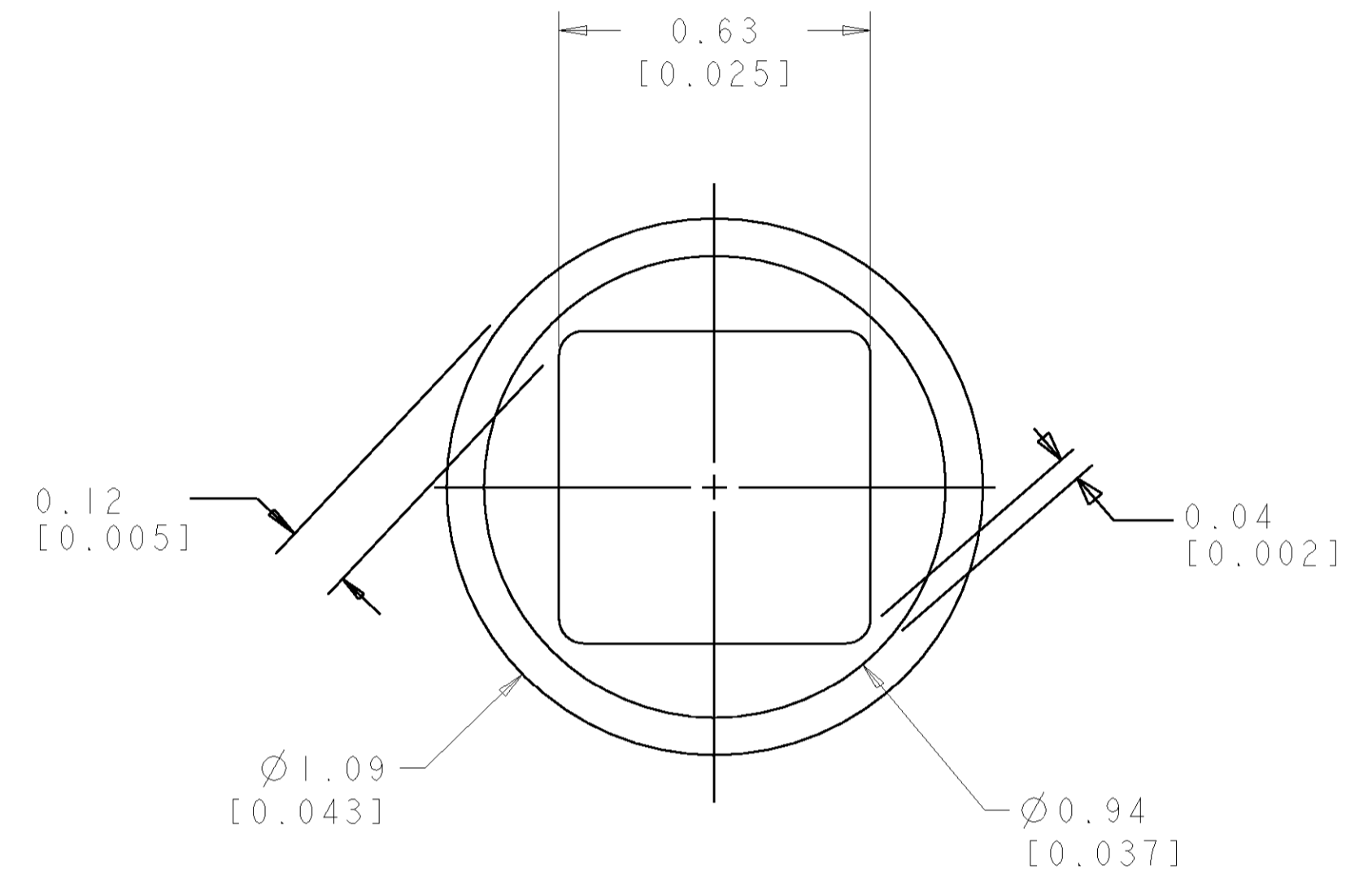
ELCON FLATPAQ

DIMENSIONS: mm [INCHES]		TOLERANCES UNLESS OTHERWISE SPECIFIED: 0 PLG ±.5 [0.020] 1 PLG ±.5 [0.020] 2 PLG ±.25 [0.010] 3 PLG ±.25 [0.010] 4 PLG ±.25 [0.010] ANGLES ±.5		DWN B. GRZYBOWSKI 240CT06 ENR P. DAMATO 240CT06 APPD S. FLICKINGER 240CT06		tyco Electronics Tyco Electronics Harrisburg, PA 17105-3608	
MATERIAL - FINISH -		WEIGHT - CUSTOMER DRAWING		NAME PIN CONNECTOR ASSEMBLY RIGHT ANGLE SOLDER TAILS		SIZE CAGE CODE DRAWING NO. RESTRICTED TO A 100779 C-6646887	
SCALE 4:1				SHEET 2 OF 3		REV A	

LOC	DIST	REVISIONS			
P	LTR	DESCRIPTION	DATE	DNW	APVD
-	-	SEE SHEET 1	-	-	-



6. SOLDER TAIL DETAIL
SCALE 10 : 1



⚠ SOLDER TERMINATION AREA
 SCALE 40:1
 RECOMMENDED PRINTED CIRCUIT HOLE
 SOLDER
 FINISHED HOLE: ∅1.02 [0.040] ±.008 [0.0003]
 DRILLED HOLE: ∅1.15 [0.0453] ±.013 [0.0005]
 COPPER PLATE: .025 [0.0010] MIN
 TIN PLATE: .008 [0.0003] MIN. (PER SURFACE)

<small>THIS DRAWING IS UNPUBLISHED. RELEASED FOR PUBLICATION BY TICO ELECTRONICS CORPORATION. ALL RIGHTS RESERVED.</small>		DWN: B. GRZYBOWSKI 240CT06 ENR: P. DAMATO 240CT06 APVD: S. FLICKINGER 240CT06	tyco Tyco Electronics Harrisburg, PA 17105-3608
DIMENSIONS: mm [INCHES]	TOLERANCES UNLESS OTHERWISE SPECIFIED: 0 PLC ±. 1 PLC ±.5 [0.020] 2 PLC ±.25 [0.010] 3 PLC ±. 4 PLC ±. ANGLES ± 5	PRODUCT SPEC APPLICATION SPEC WEIGHT CUSTOMER DRAWING	NAME: PIN CONNECTOR ASSEMBLY RIGHT ANGLE SOLDER TAILS SIZE: A 00779 C=6646887 SCALE: 4:1 SHEET 3 OF 3 REV A