

# PRODUCT SPECIFICATION DRAWING

P2RFD-1670-4

**FINISH:**  
BODIES &  
HARDWARE:  
PINS:

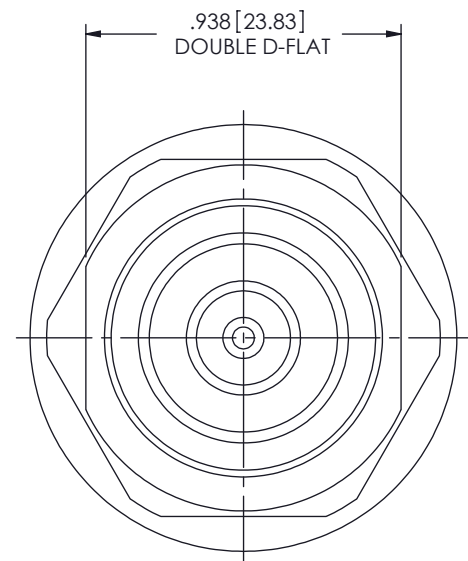
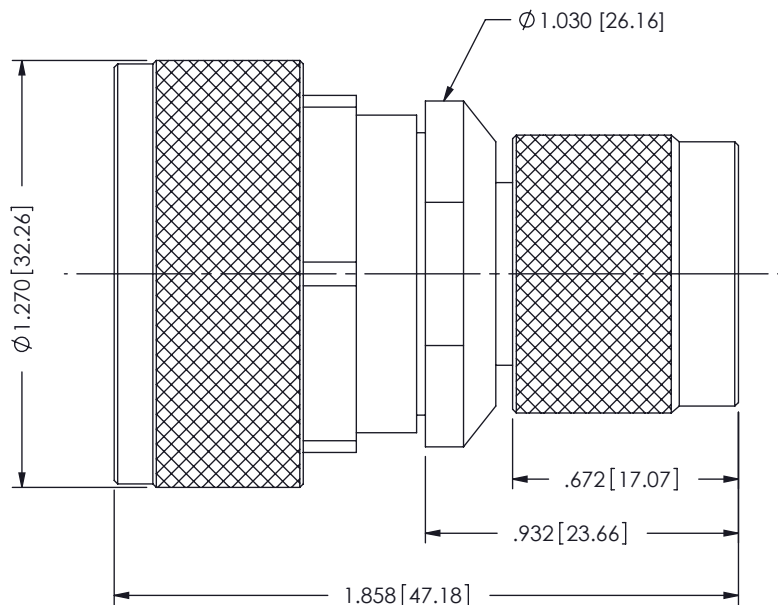
WHITE BRONZE  
WHITE BRONZE OVER SILVER

**MATERIAL:**  
BODIES,  
HARDWARE  
& PIN:  
O-RING:  
INSULATOR:

BRASS  
SILICONE RUBBER, ZZ-R-765 DUROMETER 70  
PTFE PER ASTM-D1710

**PERFORMANCE:**

IMPEDANCE: 50 OHMS  
Vp: 77%  
FREQ. RANGE: DC TO 7.5 GHz  
DELAY: 141ps  
VSWR: <1.10:1 @ DC-7.5 GHz  
INSERTION LOSS: -.01db @  $\sqrt{7.5}$  GHz  
3rd ORDER IM -dBc: > -150 dBc  
N TORQUE: 10 inLb  
DIN TORQUE: 15 ftLb  
OPERATING  
TEMP RANGE: -55°C TO +150°C



**RoHS  
COMPLIANT**

**PROPRIETARY**

THE INFORMATION HEREIN IS CONFIDENTIAL AND PROPRIETARY. NO DISCLOSURE, REPRODUCTION, OR FURTHER DISSEMINATION MAY BE MADE WITH-OUT THE EXPRESSED WRITTEN CONSENT OF RF INDUSTRIES.

DIMENSIONS ARE IN INCHES  
TOLERANCES:

FRACTIONAL: ±1/64  
ANGULAR: X° ±1'0"  
X\*X' ±15'

DECIMAL: .X ±.030  
.XX ±.015  
.XXX ±.005

INTERPRET DIMENSIONS  
AND TOLERANCES PER  
ASME Y14.5M - 1994

UNLESS OTHERWISE SPECIFIED

- 1) ALL DIMENSIONS ARE AFTER PLATING & HEAT TREATING.
- 2) BREAK CORNERS & EDGES .005 RADIUS MAX.
- 3) CHAMFER FIRST & LAST THREADS.
- 4) SURFACE ROUGHNESS 63 VI I.A.W. MIL-STD-10.
- 5) DIAMETERS ON COMMON CENTERS TO BE CONCENTRIC WITHIN T.I.R.
- 6) REMOVE ALL BURRS

DRAWN BY: C. ZUNIGA 10/10/10

ENG APPROVAL: D. McREYNOLDS

MFG APPROVAL: --

QA APPROVAL: --

**RFP<sup>2</sup>** RF PRECISION PRODUCTS  
A DIVISION OF RF INDUSTRIES  
7610 MIRAMAR ROAD, SAN DIEGO, CA 92126-4202  
(858) 549-6340 - FAX (858) 549-6345 - RFP2@RFINDUSTRIES.COM

TITLE:  
**7-16 DIN PLUG TO  
N PLUG ADAPTER**

SIZE CODE DWG. NO.  
**A 000000**

SHEET 1 OF 1

**P2RFD-1670-4**

REVISION HISTORY

REV	DESCRIPTION	DATE	APPROVED
-	ENGINEERING RELEASE	10/10/10	JDMc