

PAGE 1/2

ISSUE 28-06-16

SERIE : SPnT

PART NUMBER : R573413615

## RF CHARACTERISTICS

Number of ways : **6**  
 Frequency range : **0 - 18 GHz**  
 Impedance : **50 Ohms**

| Frequency (GHz)    | DC - 3         | 3 - 8          | 8 - 12.4       | 12.4 - 18      |
|--------------------|----------------|----------------|----------------|----------------|
| VSWR max           | <b>1.20</b>    | <b>1.30</b>    | <b>1.40</b>    | <b>1.50</b>    |
| Insertion loss max | <b>0.20 dB</b> | <b>0.30 dB</b> | <b>0.40 dB</b> | <b>0.50 dB</b> |
| Isolation min      | <b>80 dB</b>   | <b>70 dB</b>   | <b>60 dB</b>   | <b>60 dB</b>   |
| Average power (*)  | <b>240 W</b>   | <b>150 W</b>   | <b>120 W</b>   | <b>100 W</b>   |

## ELECTRICAL CHARACTERISTICS

Actuator : **NORMALLY OPEN**  
 Nominal current \*\* : **102 mA**  
 Actuator voltage (Vcc) : **28V (24 to 30V) / POSITIVE COMMON**  
 Terminals : **25 pins D-SUB male connector**  
 Indicator rating : **1 W / 30 V / 100 mA**

## MECHANICAL CHARACTERISTICS

Connectors : **SMA female per MIL-C 39012**  
 Life : **5.000.000 cycles per position**  
 Switching Time\*\*\* : **< 15 ms**  
 Construction : **Splashproof**  
 Weight : **< 220 g**

## ENVIRONMENTAL CHARACTERISTICS

Operating temperature range : **-40°C to +85°C**  
 Storage temperature range : **-55°C to +85°C**

(\* Average power at 25°C per RF Path)

(\*\* At 25° C ±10%)

(\*\*\* Nominal voltage ; 25° C)



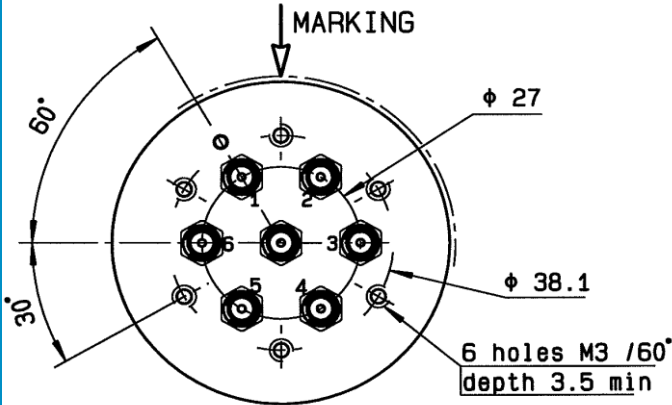
PAGE 2/2

ISSUE 28-06-16

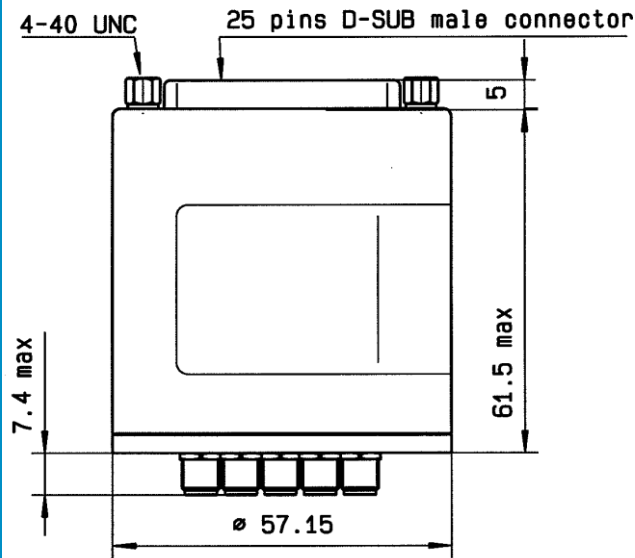
SERIE : SPnT

PART NUMBER : R573413615

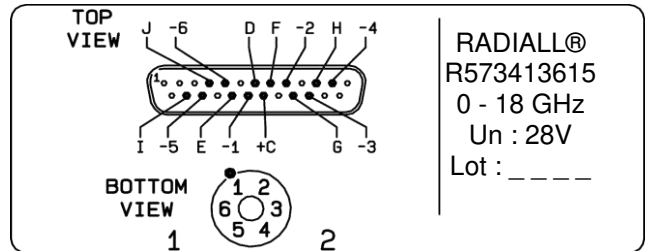
DRAWING



| Voltage | RF Continuity | Ind. |
|---------|---------------|------|
| +C -1   | IN ↔ 1        | D.E  |
| +C -2   | IN ↔ 2        | D.F  |
| +C -3   | IN ↔ 3        | D.G  |
| +C -4   | IN ↔ 4        | D.H  |
| +C -5   | IN ↔ 5        | D.I  |
| +C -6   | IN ↔ 6        | D.J  |



**LABEL**



RADIALL®  
R573413615  
0 - 18 GHz  
Un : 28V  
Lot : \_\_\_\_\_

General tolerances : ±0.5 mm

SCHEMATIC DIAGRAM

