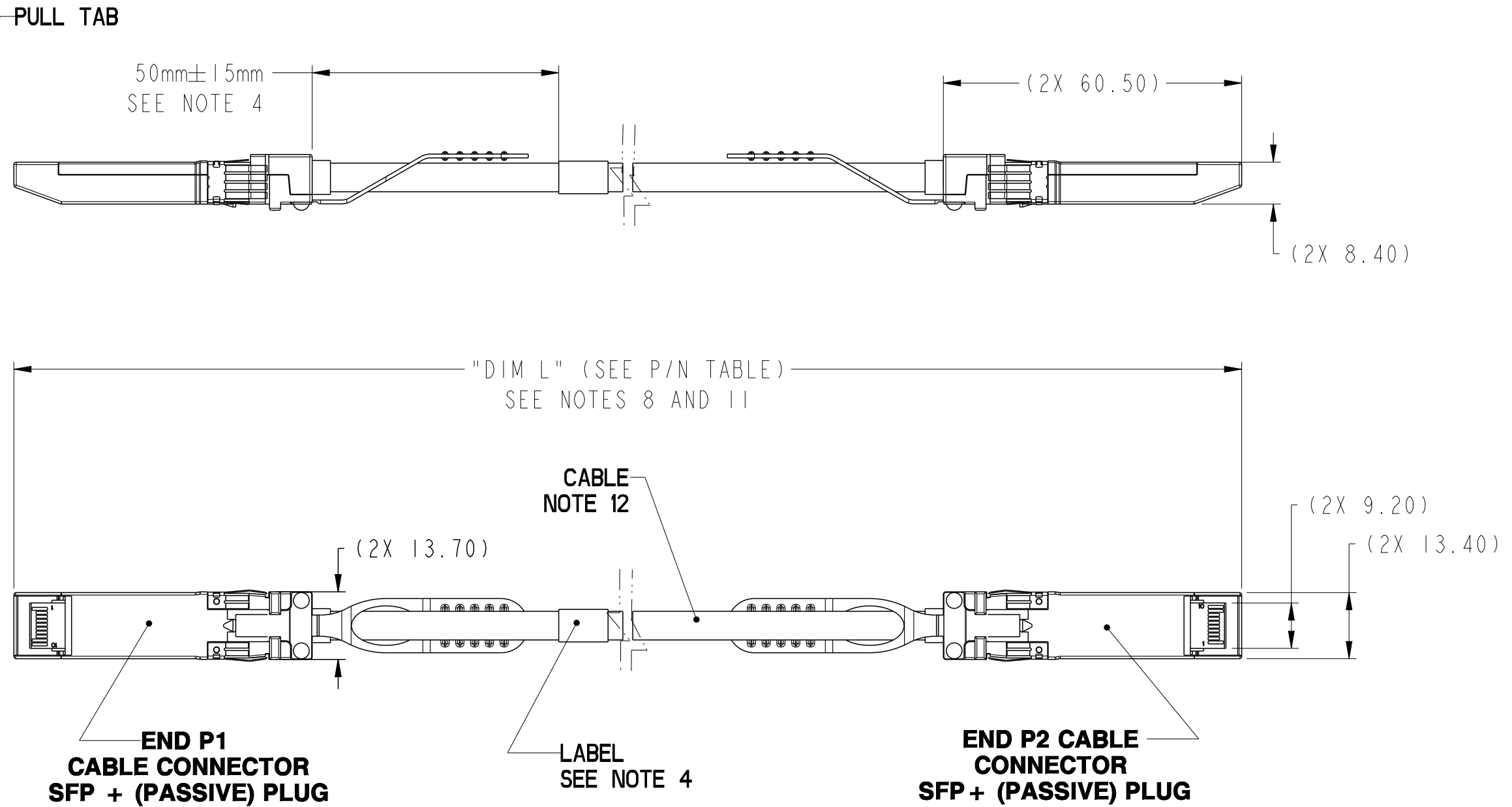
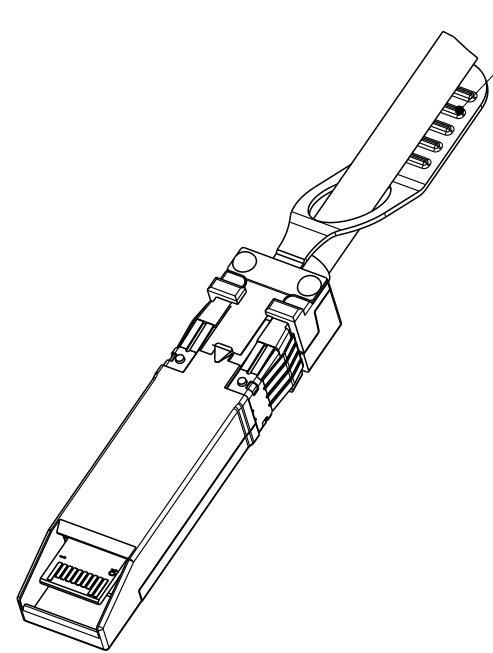


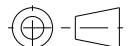
Product number	DESCRIPTION	NOTES 
10101497-XXXXLF	NON-HF	SEE SHT. 2
10101497-XXXXHFLF	HALOGEN FREE (HF)	SEE SHT. 3



VIEW A
VIEW A



Copyright FCI.

dr	wcadmin	2009/06/23	projection 	mm	size	A3	scale	3:10
eng	Deborah Ingram	2011/11/01			ecn no	ELX-V-003827-1		
chr	-	-	product family	SFP+ PLUG	rel level	Released		
appr	Brad Brubaker	2011/11/01			title	FINAL ASSEMBLY - ALTERNATE CABLE SFP+ (PASSIVE) ASSEMBLY	dwg no	10101497
www.fci.com		cat. no.	-		Product - Customer Drw		sheet 1 of 4	

PRODUCT NUMBER	LENGTH (Meters) "DIM L"	AWG	NOTES
10101497-1003LF	0.3	32	NOTE 13
10101497-1005LF	0.5	32	
10101497-1010LF	1.0	32	
10101497-2005LF	0.5	30	NOTE 13
10101497-2010LF	1.0	30	
10101497-2015LF	1.5	30	
10101497-2020LF	2.0	30	
10101497-2025LF	2.5	30	
10101497-2030LF	3.0	30	
10101497-2035LF	3.5	30	
10101497-2040LF	4.0	30	
10101497-3005LF	0.5	28	
10101497-3010LF	1.0	28	
10101497-3015LF	1.5	28	
10101497-3020LF	2.0	28	
10101497-3025LF	2.5	28	
10101497-3030LF	3.0	28	
10101497-3035LF	3.5	28	
10101497-3040LF	4.0	28	
10101497-3045LF	4.5	28	
10101497-3050LF	5.0	28	
10101497-4005LF	0.5	26	NOTE 13
10101497-4010LF	1.0	26	NOTE 13
10101497-4015LF	1.5	26	NOTE 13
10101497-4020LF	2.0	26	NOTE 13
10101497-4025LF	2.5	26	NOTE 13
10101497-4030LF	3.0	26	NOTE 13
10101497-4035LF	3.5	26	NOTE 13
10101497-4040LF	4.0	26	NOTE 13
10101497-4045LF	4.5	26	NOTE 13
10101497-4050LF	5.0	26	NOTE 13
10101497-4055LF	5.5	26	NOTE 13
10101497-4060LF	6.0	26	NOTE 13
10101497-4065LF	6.5	26	NOTE 10 & 13
10101497-4070LF	7.0	26	NOTE 10 & 13

PRODUCT NUMBER	LENGTH (Meters) "DIM L"	AWG	NOTES
10101497-5005LF	0.5	24	NOTE 13
10101497-5010LF	1.0	24	NOTE 13
10101497-5015LF	1.5	24	NOTE 13
10101497-5020LF	2.0	24	NOTE 13
10101497-5025LF	2.5	24	NOTE 13
10101497-5030LF	3.0	24	NOTE 13
10101497-5035LF	3.5	24	NOTE 13
10101497-5040LF	4.0	24	NOTE 13
10101497-5045LF	4.5	24	NOTE 13
10101497-5050LF	5.0	24	NOTE 13
10101497-5055LF	5.5	24	NOTE 13
10101497-5060LF	6.0	24	NOTE 13
10101497-5065LF	6.5	24	NOTE 13
10101497-5070LF	7.0	24	NOTE 13
10101497-5075LF	7.5	24	NOTE 13
10101497-5080LF	8.0	24	NOTE 10 & 13
10101497-5085LF	8.5	24	NOTE 10 & 13
10101497-5090LF	9.0	24	NOTE 10 & 13
10101497-5095LF	9.5	24	NOTE 10 & 13
10101497-5100LF	10.0	24	NOTE 10 & 13

NON-HALOGEN FREE CABLE ASSEMBLY PART NUMBERS



Copyright FCI.

dr	wcadmin	2009/06/23	projection 	mm 	size	A3	scale	1:1
eng	Deborah Ingram	2011/11/01			ecn no	ELX-V-003827-1		
chr	-	-			rel level	Released		
appr	Brad Brubaker	2011/11/01	product family	SFP+ PLUG				
		title FINAL ASSEMBLY - ALTERNATE CABLE SFP+ (PASSIVE) ASSEMBLY			dwg no 10101497	rev C		
www.fci.com		cat. no.	-		Product - Customer Drw		sheet 2 of 4	

PRODUCT NUMBER	LENGTH (Meters) "DIM L"	AWG	NOTES
10101497-1003HFLF	0.3	32	NOTE 12
10101497-1005HFLF	0.5	32	NOTE 12
10101497-1010HFLF	1.0	32	NOTE 12
10101497-2005HFLF	0.5	30	NOTE 12
10101497-2008HFLF	0.8	30	NOTE 12
10101497-2010HFLF	1.0	30	NOTE 12
10101497-2015HFLF	1.5	30	NOTE 12
10101497-2020HFLF	2.0	30	NOTE 12
10101497-2025HFLF	2.5	30	NOTE 12
10101497-2030HFLF	3.0	30	NOTE 12
10101497-2035HFLF	3.5	30	NOTE 12
10101497-2040HFLF	4.0	30	NOTE 12
10101497-3005HFLF	0.5	28	NOTE 12
10101497-3010HFLF	1.0	28	NOTE 12
10101497-3015HFLF	1.5	28	NOTE 12
10101497-3020HFLF	2.0	28	NOTE 12
10101497-3025HFLF	2.5	28	NOTE 12
10101497-3030HFLF	3.0	28	NOTE 12
10101497-3035HFLF	3.5	28	NOTE 12
10101497-3040HFLF	4.0	28	NOTE 12
10101497-3045HFLF	4.5	28	NOTE 12
10101497-3050HFLF	5.0	28	NOTE 12
10101497-4005HFLF	0.5	26	NOTE 12
10101497-4010HFLF	1.0	26	NOTE 12
10101497-4015HFLF	1.5	26	NOTE 12
10101497-4020HFLF	2.0	26	NOTE 12
10101497-4025HFLF	2.5	26	NOTE 12
10101497-4030HFLF	3.0	26	NOTE 12
10101497-4035HFLF	3.5	26	NOTE 12
10101497-4040HFLF	4.0	26	NOTE 12
10101497-4045HFLF	4.5	26	NOTE 12
10101497-4050HFLF	5.0	26	NOTE 12
10101497-4055HFLF	5.5	26	NOTE 12
10101497-4060HFLF	6.0	26	NOTE 12
10101497-4065HFLF	6.5	26	NOTE 10 & 12
10101497-4070HFLF	7.0	26	NOTE 10 & 12

PRODUCT NUMBER	LENGTH (Meters) "DIM L"	AWG	NOTES
10101497-5005HFLF	0.5	24	NOTE 12
10101497-5010HFLF	1.0	24	NOTE 12
10101497-5015HFLF	1.5	24	NOTE 12
10101497-5020HFLF	2.0	24	NOTE 12
10101497-5025HFLF	2.5	24	NOTE 12
10101497-5030HFLF	3.0	24	NOTE 12
10101497-5035HFLF	3.5	24	NOTE 12
10101497-5040HFLF	4.0	24	NOTE 12
10101497-5045HFLF	4.5	24	NOTE 12
10101497-5050HFLF	5.0	24	NOTE 12
10101497-5055HFLF	5.5	24	NOTE 12
10101497-5060HFLF	6.0	24	NOTE 12
10101497-5065HFLF	6.5	24	NOTE 12
10101497-5070HFLF	7.0	24	NOTE 12
10101497-5075HFLF	7.5	24	NOTE 12
10101497-5080HFLF	8.0	24	NOTE 10 & 12
10101497-5085HFLF	8.5	24	NOTE 10 & 12
10101497-5090HFLF	9.0	24	NOTE 10 & 12
10101497-5095HFLF	9.5	24	NOTE 10 & 12
10101497-5100HFLF	10.0	24	NOTE 10 & 12

HALOGEN FREE CABLE ASSEMBLY PART NUMBERS



Copyright FCI.

dr	wcadmin	2009/06/23	projection	mm	size	A3	scale	3:10
eng	Deborah Ingram	2011/11/01			ecn no			
chr	-	-			ELX-V-003827-1			
appr	Brad Brubaker	2011/11/01	product family	SFP+ PLUG	rel level			
					10101497		Released	
		title FINAL ASSEMBLY - ALTERNATE CABLE SFP+ (PASSIVE) ASSEMBLY			dwg no 10101497		rev C	
www.fci.com		cat. no.		-		Product - Customer Drw		sheet 3 of 4

Product number	DESCRIPTION	NOTES 
10101497-XXXXLF	NON-HF	SEE SHT. 2
10101497-XXXXHFLF	HALOGEN FREE (HF)	SEE SHT. 3

NOTES:

1 - MATERIAL:
 BACKSHELLS: ZINC ALLOY/ COPPER UNDERPLATE/ NICKEL OVERPLATE
 PULL TAB: THERMOPLASTIC POLYMER
 RELEASE SPRING: STAINLESS STEEL
 EMI GASKET: STAINLESS STEEL
 COLLET: BRASS
 SCREWS: STAINLESS STEEL
 PADDLE CARD: PRINTED CIRCUIT SUBSTRATE
 JET MELT: POLYIMIDE POLYMER

2 - THIS PRODUCT MEETS THE RESTRICTION OF HAZARDOUS SUBSTANCES IN ELECTRICAL AND ELECTRONIC EQUIPMENT (RoHS) DIRECTIVE (2002/95/EC)

3 - IMPEDANCE: 100 OHMS DIFFERENTIAL.

4 - UNLESS OTHERWISE SPECIFIED LABEL POSITION IS TO BE 50mm FROM REAR OF CONNECTOR.
 LABEL DETAILS:
 MANUFACTURER CODE OR NAME COUNTRY ORIGIN
 FCI P/N
 REVISION
 DATE CODE (YY/MM/DD FORMAT) - SERIAL NUMBER

FONT SHALL BE CLEARLY VISIBLE AND BLACK IN COLOR.

 5 - ALL CABLE ASSEMBLIES SHALL BE 100% TESTED FOR CONTINUITY AS DEFINED IN WIRING LIST.

6 - CONFORMS TO FCI PRODUCT SPECIFICATION: GS-12-616.

7 - PACKAGING OF LEAD FREE PRODUCTS MEETS LABELING AND PACKAGING PER SPECIFICATION GS-14-920. PACKAGE CABLE ASSEMBLIES PER GS-14-1272.

8 - THIS DIMENSION IS A FINISHED PRODUCT LENGTH.

9. A "" SYMBOL WILL BE NEXT TO ANY DIMENSION, VIEW, OR NOTE WHICH HAS BEEN MODIFIED WITH THE CURRENT DRAWING REVISION. THE CURRENT REVISION WILL BE SHOWN IN THE SYMBOL.

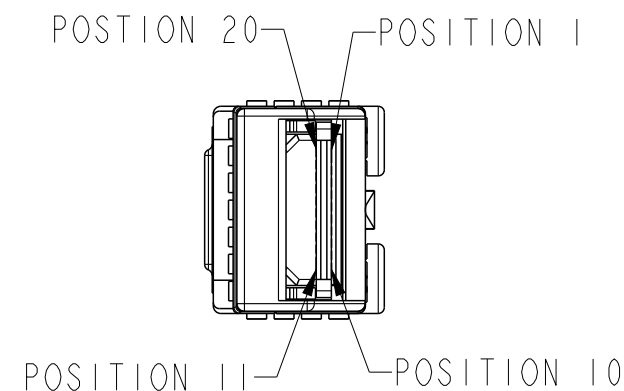
10. LONGER LENGTH APPLICATIONS REQUIRE HOST SYSTEM PREMPHASIS AND/OR EQUALIZATION.

11. UNLESS OTHERWISE SPECIFIED ASSEMBLED LENGTH TOLERANCE IS TO BE:
 < 1 METER = ±25.0mm
 > 1 METER TO 10 METERS = ±2% OF "DIM L"

12. "HF" PRODUCT NUMBERS DESIGNATE THE USE OF HALOGEN FREE RAW CABLE.

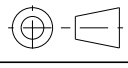
13. HALOGEN FREE RAW CABLE CAN BE USED AS A SUBSTITUTE ON NON-HF PRODUCT NUMBERS.

WIRING LIST (SEE NOTE 5)				
END P1			END P2	
POSITION	SYMBOL		POSITION	SYMBOL
12	RD-	←-----	19	TD-
13	RD+	←-----	18	TD+
18	TD+	-----→	13	RD+
19	TD-	-----→	12	RD-



VIEW A (P1)
SCALE 2:1

LOW SPEED SIGNALS P1 & P2	
END P1	
POSITION	SYMBOL
1	VeeT
2	TX_Fault
3	Tx_Disable
4	MOD_DEF(2)
5	MOD_DEF(1)
6	MOD_DEF(0)
7	RateSelect
8	LOS
9	VeeR
10	VeeR
11	VeeR
14	VeeR
15	VccR
16	VccT
17	VeeT
20	VeeT

dr	wcadmin	2009/06/23	projection	mm	size	A3	scale	3:10
eng	Deborah Ingram	2011/11/01		←-----→	ecn no	ELX-V-003827-1		
chr	-	-			rel level	Released		
appr	Brad Brubaker	2011/11/01	product family	SFP+ PLUG	rev no	10101497	rev	C
www.fci.com		cat. no.	-		Product - Customer Drw		sheet 4 of 4	



Copyright FCI.