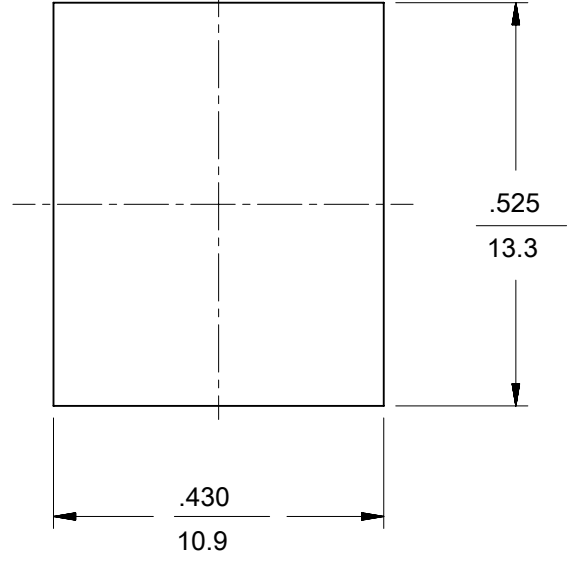
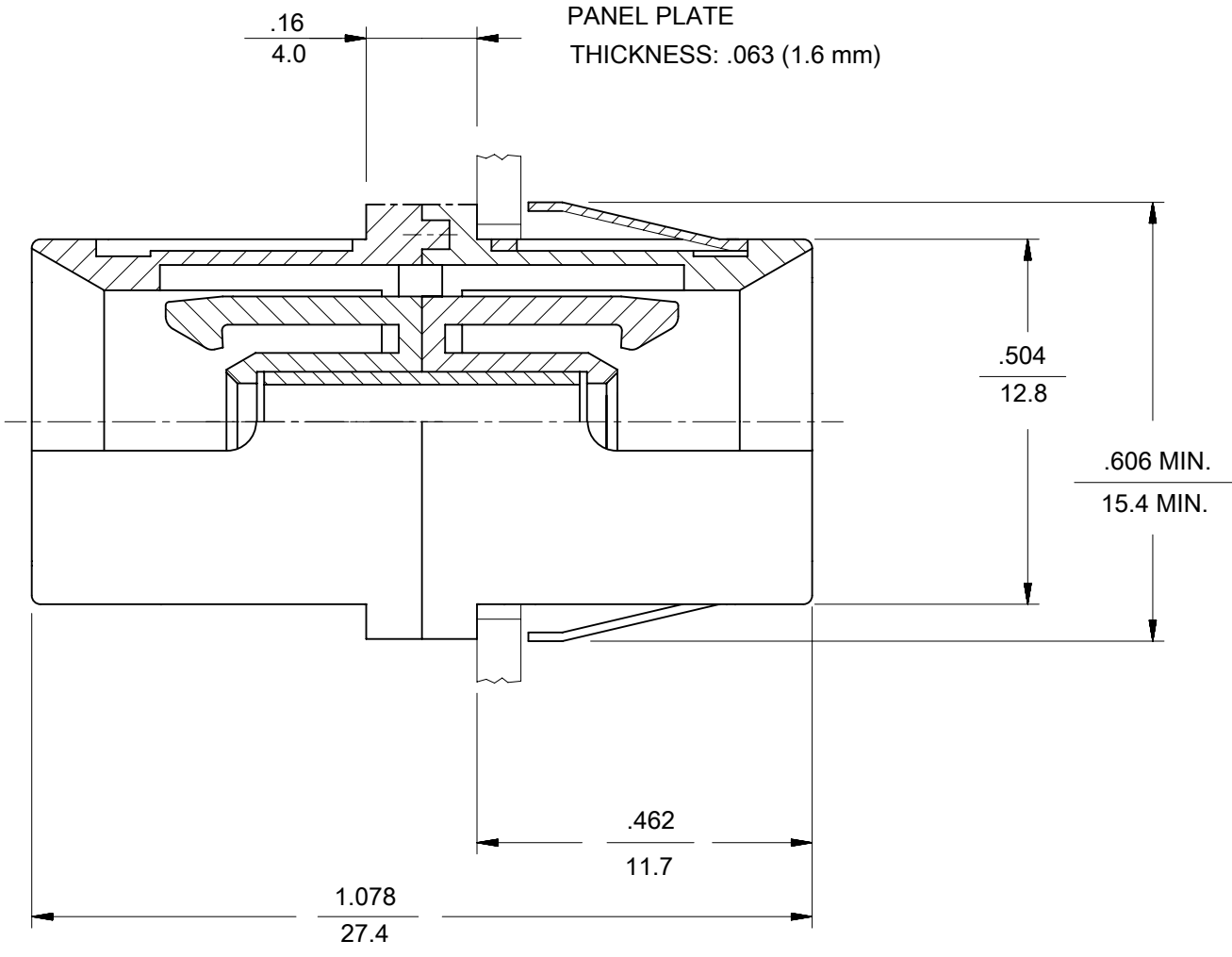
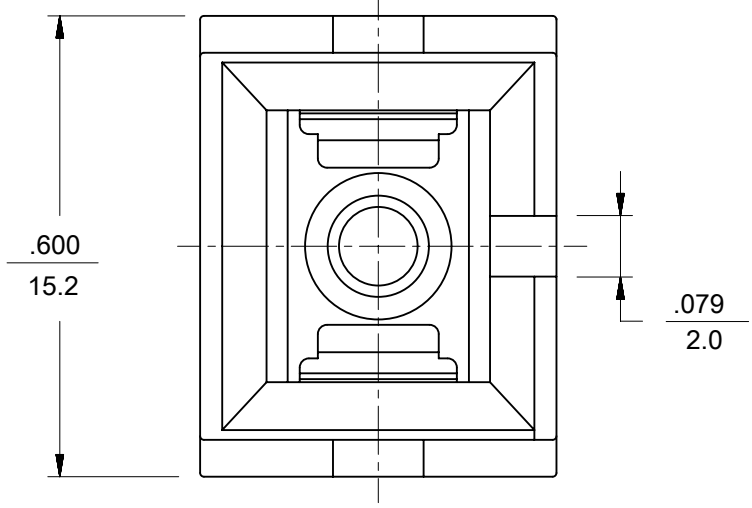
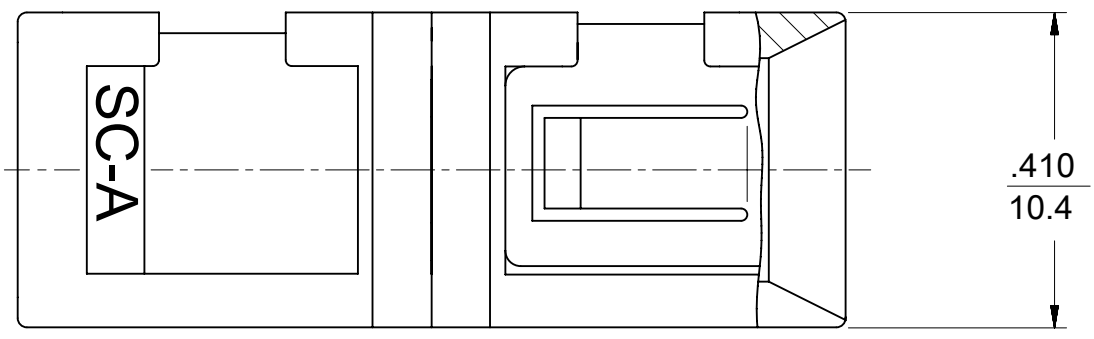


P/N OF ADAPTER	MATERIAL OF SPLIT SLEEVE	COLOR OF ADAPTER SHELL
106171-0100	CERAMIC	BLACK
106170-0120	CERAMIC	GREEN
106170-0150	CERAMIC	BLUE
106170-0153*		
106171-0150	CERAMIC	



RECOMMENDED MOUNTING HOLE

- NOTES:
- DUST CAPS ARE NOT SHOWN BUT INCLUDED.
  - P/N 106170-0153 ARE BULK PACKED ADAPTER KITS OF 100 PCS.
  - PLASTICS USED IN ADAPTERS ARE UL-94 V-0 RATED.

THIS DRAWING CONTAINS INFORMATION THAT IS PROPRIETARY TO MOLEX ELECTRONIC TECHNOLOGIES, LLC AND SHOULD NOT BE USED WITHOUT WRITTEN PERMISSION									
DIMENSION UNITS	SCALE	CURRENT REV DESC: REMOVED OBSOLETE PART NUMBERS AS PER PCN#512063.							
INCH/MM	4:1	<p style="text-align: center;"><b>molex</b></p> <p style="text-align: center;">SC SMALL FLANGE ADAPTER</p>							
GENERAL TOLERANCES (UNLESS SPECIFIED)									
ANGULAR TOL	± 0.5°	PRODUCT CUSTOMER DRAWING							
4 PLACES	±	EC NO: 713759	2022/08/22	DOCUMENT NUMBER					
3 PLACES	±	DRWN: SANTHN	2022/10/07	SD-10617X-01X0					
2 PLACES	±	CHKD: GB	2022/10/07	DOC TYPE   DOC PART   REVISION					
1 PLACE	±	APPR: GB	2022/10/07	PSD   001   C1					
0 PLACES	±	INITIAL REVISION:		MATERIAL NUMBER					
		DRWN: PGIBLIN	2005/11/29	SEE TABLE					
		APPR: IGUMIN	2005/11/29	CUSTOMER					
DRAFT WHERE APPLICABLE MUST REMAIN WITHIN DIMENSIONS		THIRD ANGLE PROJECTION	DRAWING	SERIES	SHEET NUMBER		1 OF 1		
			B-SIZE	106170	GENERAL MARKET				