

**AMPLIMITE**

TE Internal #: 8-1393480-5

PCB D-Sub Connectors, Plug, Cable-to-Board, 9 Position, 2.74 mm [.108 in] Centerline, 2 Row, 1 Connector Shell Size, Round, Eurostyle Profile

[View on TE.com >](#)

Connectors > D-Shaped Connectors > D-Sub Connectors > PCB D-Sub Connectors >

D-Sub Plug Assembly: Eurostyle, Right Angle, Shell Size 1, 2.74mm

Connector & Housing Type: **Plug**Connector System: **Cable-to-Board**Number of Positions: **9**Centerline (Pitch): **2.74 mm [.108 in]**Number of Rows: **2**

[All D-Sub Plug Assembly: Eurostyle, Right Angle, Shell Size 1, 2.74mm \(5\)](#)

Features**Product Type Features**

Shell Material Configuration	Full Metal Shell
Ground Feature Type	Grounding Indents, Grounding Straps
Connector & Housing Type	Plug
Connector System	Cable-to-Board
Connector Shell Size	1
Connector & Contact Terminates To	Printed Circuit Board

Configuration Features

Number of Positions	9
Number of Rows	2
PCB Mount Orientation	Right Angle

Body Features

Assembly Process Feature Material	Brass
Shell Plating Material	Tin
Primary Product Color	Black
Connector Profile	Eurostyle

Contact Features



	30 µin
Contact Mating Area Plating Material	Gold
PCB Contact Termination Area Plating Material	Tin
Contact Base Material	Phosphor Bronze
Contact Shape & Form	Round
Contact Current Rating (Max)	2.2 A

Termination Features

Termination Post & Tail Length	3.2 mm[.126 in]
Termination Method to Printed Circuit Board	Through Hole - Solder

Mechanical Attachment

Assembly Process Feature Plating Material	Tin
Mounting Hole Diameter	3.1 mm
PCB Mount Alignment	With
PCB Mount Retention	With
PCB Mount Retention Type	Boardlock
Mating Retention	With
Mating Retention Type	Threaded Insert, 4-40 UNC
Connector Mounting Type	Board Mount

Housing Features

Shell Material	Steel
Housing Material	Thermoplastic PBTP
Centerline (Pitch)	2.74 mm[.108 in]

Dimensions

PCB Thickness (Recommended)	1.57 mm[.062 in]
Row-to-Row Spacing	2.84 mm[.112 in]

Usage Conditions

Operating Temperature Range	-55 – 125 °C[-67 – 257 °F]
-----------------------------	----------------------------

Operation/Application

Durability Rating	250 Cycles
Circuit Application	Signal

Industry Standards

Approved Standards	DIN 41652
--------------------	-----------



UL Flammability Rating

UL 94V-0

Packaging Features

Packaging Quantity

32

Packaging Method

Tray

Product Compliance

[For compliance documentation, visit the product page on TE.com>](#)

EU RoHS Directive 2011/65/EU

Compliant with Exemptions

EU ELV Directive 2000/53/EC

Compliant with Exemptions

China RoHS 2 Directive MIIT Order No 32, 2016

Restricted Materials Above Threshold

EU REACH Regulation (EC) No. 1907/2006

Current ECHA Candidate List: JUNE 2023
(235)Candidate List Declared Against: JUNE
2022 (224)

SVHC > Threshold:

Pb (4% in Component Part)

Article Safe Usage Statements:

Do not eat, drink or smoke when using this product. Wash thoroughly after handling. Recycle if possible and dispose of the article by following all applicable governmental regulations relevant to your geographic location.

Halogen Content

Not Low Halogen - contains Br or Cl > 900
ppm.

Solder Process Capability

Wave solder capable to 265°C

Product Compliance Disclaimer

This information is provided based on reasonable inquiry of our suppliers and represents our current actual knowledge based on the information they provided. This information is subject to change. The part numbers that TE has identified as EU RoHS compliant have a maximum concentration of 0.1% by weight in homogenous materials for lead, hexavalent chromium, mercury, PBB, PBDE, DBP, BBP, DEHP, DIBP, and 0.01% for cadmium, or qualify for an exemption to these limits as defined in the Annexes of Directive 2011/65/EU (RoHS2). Finished electrical and electronic equipment products will be CE marked as required by Directive 2011/65/EU. Components may not be CE marked. Additionally, the part numbers that TE has identified as EU ELV compliant have a maximum concentration of 0.1% by weight in homogenous materials for lead, hexavalent chromium, and mercury, and 0.01% for cadmium, or qualify for an exemption to these limits as defined in the Annexes of Directive 2000/53/EC (ELV). Regarding the REACH Regulation, the information TE provides on SVHC in articles for this part number is based on the latest European Chemicals Agency (ECHA) 'Guidance on requirements for substances in articles' posted at this URL: <https://echa.europa.eu/guidance-documents/guidance-on-reach>

Compatible Parts

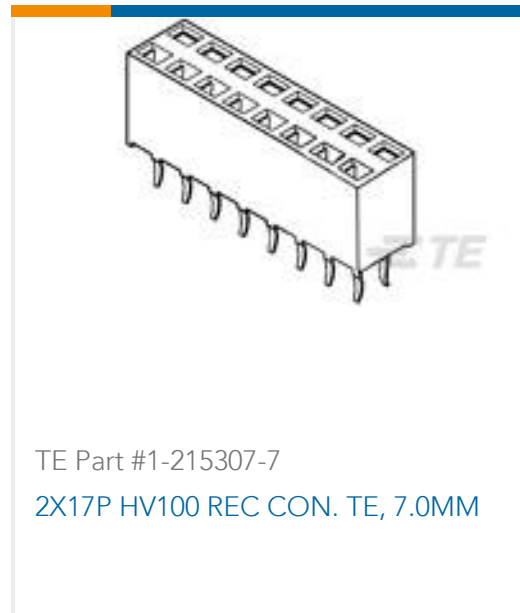


TE Part # 8-1393480-1
V23529B1223B209=SUB D FEDERLEI

Customers Also Bought



TE Part #3-338168-2
9POL HDP20 PLUGASSY



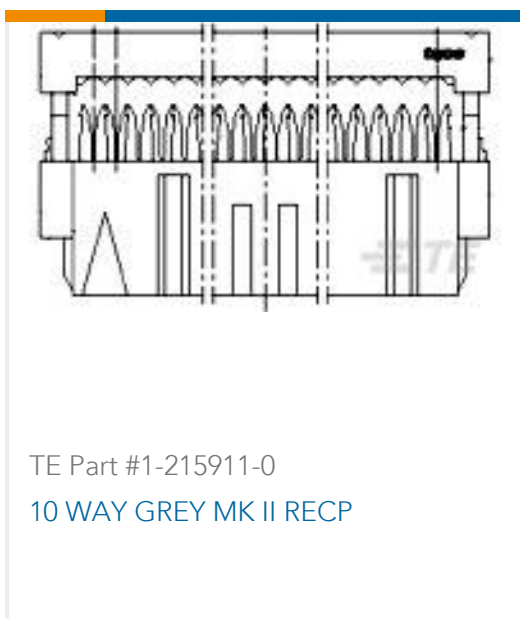
TE Part #1-215307-7
2X17P HV100 REC CON. TE, 7.0MM



TE Part #826470-3
2X3P MOD II SHROUDED HEADER, RT ANG.



TE Part #826470-8
2X8P MOD II SHROUDED HEADER, RT ANG.



TE Part #1-215911-0
10 WAY GREY MK II RECP



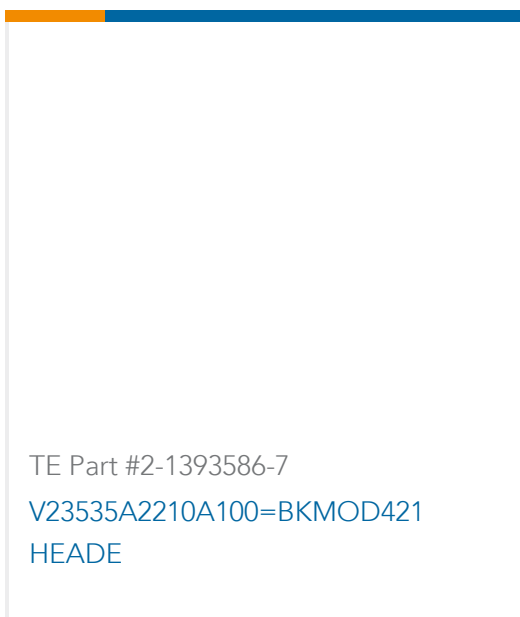
TE Part #3-1393483-8
V42254A1115B209=SUB D FEDERLEI



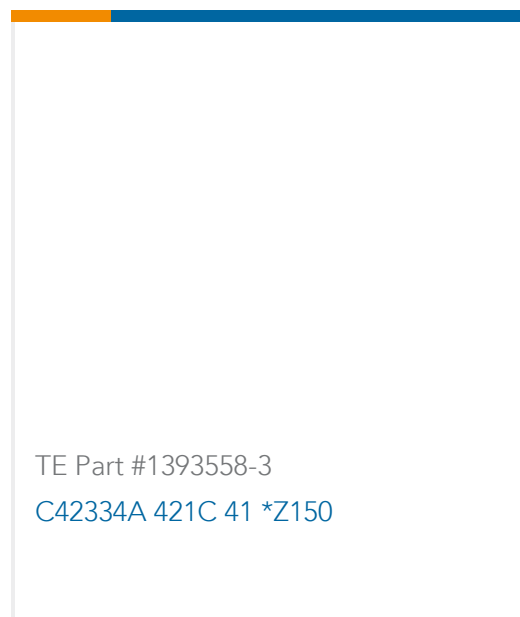
TE Part #826470-6
2X6P MOD II SHROUDED HEADER, RT ANG.



TE Part #2-1393531-9
V23535A3280C161=BKMOD422 FEDER



TE Part #2-1393586-7
V23535A2210A100=BKMOD421 HEADE



TE Part #1393558-3
C42334A 421C 41 *Z150

Documents

CAD Files

[3D PDF](#)

[3D](#)

Customer View Model

[ENG_CVM_CVM_8-1393480-5_A.2d_dxf.zip](#)

English

Customer View Model

[ENG_CVM_CVM_8-1393480-5_A.3d_igs.zip](#)

English



Customer View Model

[ENG_CVM_CVM_8-1393480-5_A.3d_stp.zip](#)

English

By downloading the CAD file I accept and agree to the [Terms and Conditions](#) of use.

Datasheets & Catalog Pages

[AMPLIMITE Subminiature D Connectors - Right-Angle Posted Connectors](#)

English

Product Environmental Compliance

[TE Material Declaration](#)

English