

# M-FLEX CAN 4I-4O CONTROLLER

The M-Flex CAN 4I-4O Controller is designed for severe duty, outdoor mobile applications and built to withstand the harsh temperatures, shock and vibration, moisture and electrical transients that are common to these environments.



M-Flex Controllers are typically used for construction, agriculture and turf care equipment, utility and power sports vehicles, marine, military, outdoor power equipment and similar harsh environment applications.



## FEATURES

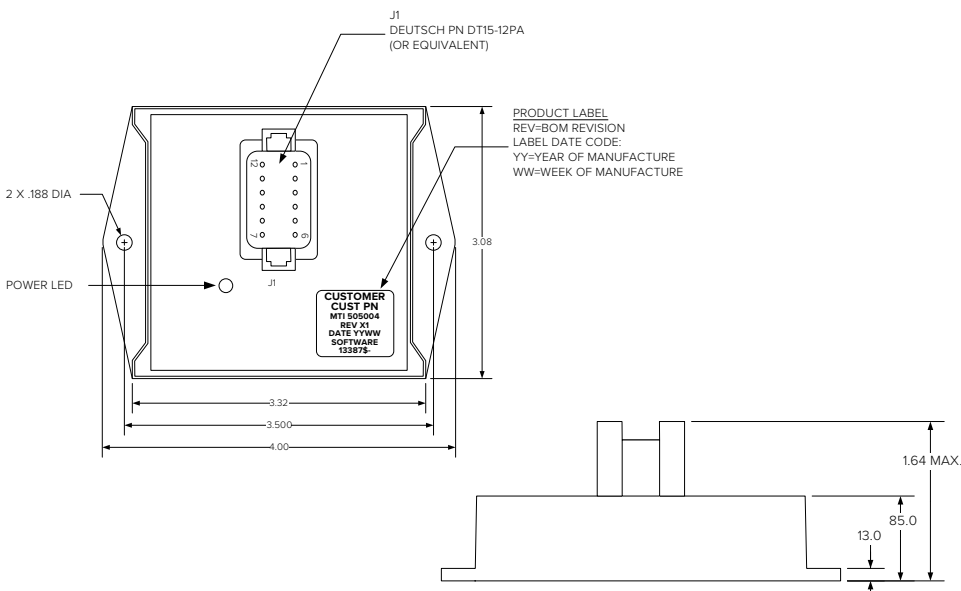
- Designed for severe duty, outdoor mobile applications.
- Designed for 12V and 24V applications.
- Configurable inputs and outputs for customizing controller to each application.
- Outputs have closed-loop current sensing for accurate control of proportional valves.
- 250/500-Kbps auto baud detect.
- Fully encapsulated electronics for complete environmental protection.
- Deutsch DT style connector.
- Bi-color status indicator.
- IP67 and IP69K rated (with appropriate connector boots).
- RoHS and CE compliant.
- Multiple programming options:
  - User-programmable software tool provided by Marlin.
  - Custom application programming provided by Marlin.

## SPECIFICATIONS

Specifications subject to change without notice. \ Revised 04.23

<b>Supply Voltage</b>	8-36VDC operating range, reverse polarity protected
<b>Max Current</b>	12A max current, 3A per output
<b>CAN Protocol</b>	SAE J1939, CAN Open, NMEA2000
<b>Inputs</b>	(2) inputs configurable as Analog, Digital, or Frequency (2) inputs configurable as Analog or Digital
<b>Outputs</b>	(4) Half-bridge (High-Side or Low-Side) Up to 4 at a time can be PWM
<b>Indicators</b>	(1) green LED status indicator
<b>Connector</b>	Deutsch DT04-12
<b>Mounting</b>	(2) M6 or 1/4" screws
<b>Ingress Protection</b>	IP67 and IP69K rated (with appropriate connector boots)
<b>Operating Temperature</b>	-40 to 85C
<b>Storage Temperature</b>	-40 to 85C
<b>Packaging</b>	3.0" x 3.0" x 0.87" Noryl housing with integral mounting tabs, electronics fully encapsulated
<b>Baud Rate</b>	Auto detection for 250/500 kbps
<b>Weight (oz.)</b>	5.5 oz.

## DIMENSIONS



For a detailed specification visit  
[marlintech.com/m-flex](http://marlintech.com/m-flex)

Marlin Technologies, Inc.  
101 Industrial Drive \ P.O. Box 123  
Horicon, WI 53032-1803  
920.485.4463 \ P  
920.485.2899 \ F

**MARLINTECH.COM**

Made in the USA with Imported Materials