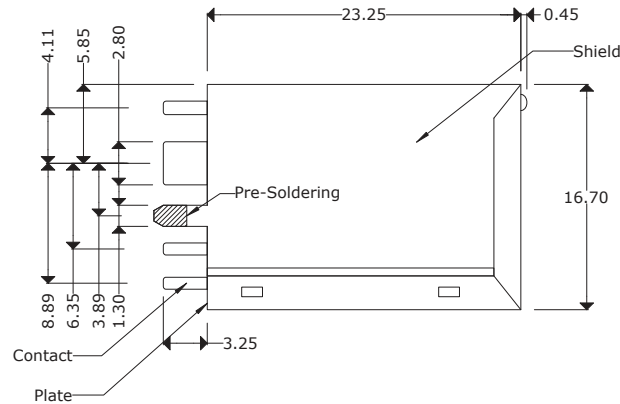
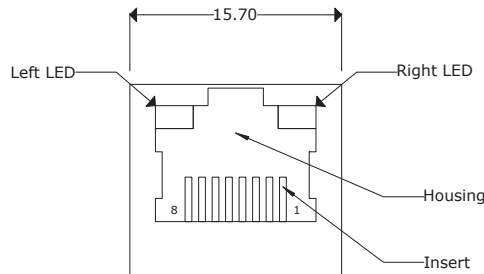
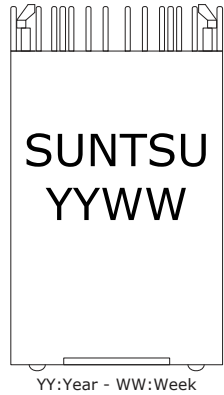
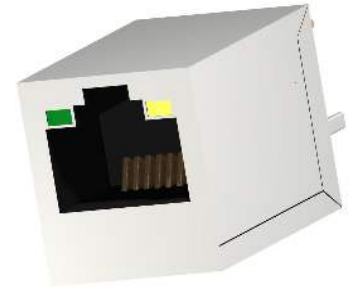
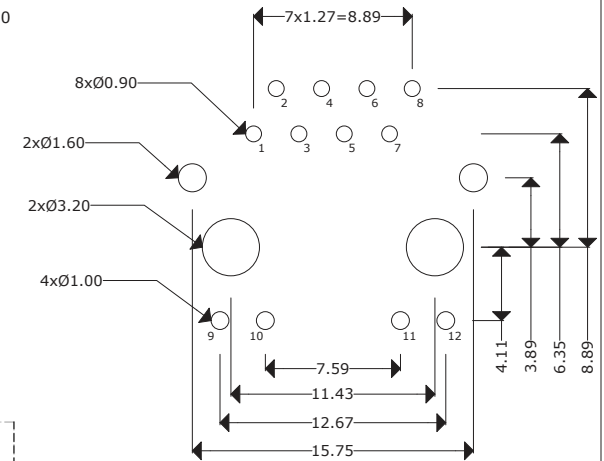


SCNRJ - 8 8 GG M S N GY - 48 6H SO VTH

SUNTSU **RJ45** **CONTACTS** 8 : 8 **MAGNETIC** M : With **EMI Finger** N : None **OPERATING TEMP** 48 : -40~85°C **CONTACT TERMINATION** SO : SOLDER
CONNECTOR **POSITIONS** 8 : 8 **CONTACT PLATING** GG : 6u" Gold Plating **SHIELD** S : With **LED COLOR** GY : Left - Green Right - Yellow **HEIGHT** 6H : 16.7mm **MOUNTING STYLE** VTH : Vertical Through Hole



PC Board Layout

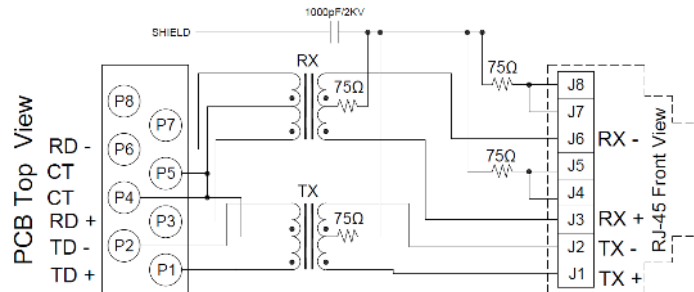


Electrical Parameters

Turn Ratio(±5%): 1CT:1CT
 OCL(100KHz/0.1V@8mA): 350uH MIN
 Insertion Loss(dB TYP): -1.2dB(0.3-100MHz)
 Return Loss(dB TYP): -18dB(1-10MHz), -16dB(30MHz), -12dB(60-80MHz)
 Cross Talk(dB TYP): -30dB(1-10MHz), -30dB(30-60MHz), -30dB(60-100MHz)
 CMR(dB TYP): -30dB(1-50MHz), -20dB(50-130MHz)
 HI-POT(Pri to Sec): 1500Vrms/0.5mA/2sec

Materials

Housing: Nylon 66 UL94V-0 Standard color Black
 Insert: Phos-Bronze C5210 EH---0.35 Thickness
 Insert: PBT GF UL94V-0
 Insert Plating: (1) Nickel (2) 100% Sn (3) Gold (6u")
 Contact Pin: Phos-Bronze C5191---0.35 Thickness
 Contact Plating: (1) Nickel (2) 100% Sn
 Shielding: Brass C2680 Plating Nickel



Remarks:
 Operating Life: 750 Cycles MIN.

Standard LED	Wavelength	Forward*V(MAX)	TYP
Green	565nm	2.5V	2.2V
Yellow	585nm	2.5V	2.1V

With a forward current of 20mA



180° 10/100 BASE-T SINGLE PORT RJ45 JACK MAGNETICS

Document History

Edits Made	Date	Edited By	Approved By
Initial Release	10/06/2021	B. Gibbons	KH Mun

Part No.	Scale	Unit
SCNRJ-88GGMSNGY-486HSOVTH	Not drawn to scale	mm

Drawn	Tolerance	Pages
B. Gibbons 10/06/2021	Unless otherwise specified, all tolerances are ±0.25	1/1