

## Price Index



Series 03

## Special Features / Options



IPA Qualification Certificate:  
Cleanroom test upon request



ESD Classification:  
Electrically conductive ESD/  
ATEX version upon request



Smallest inner height  
.20" (5 mm)



Flammability Class  
VDE 0304 IIC UL94 V2

## Assembly Tips



Easy to assemble and disassemble

## Usage Guidelines



- If quieter operation is required
- If cost is a factor
- If snap-open links are not necessary



- If snap-open links are required
  - Series 047 "Zipper"
- If quick insertion of cables with preassembled connector is required
  - Series E03 E-Z Chain

## Features & Benefits

- 1 Mounting bracket with integrated strain relief
- 2 One-piece, non snap-open e-chain®
- 3 Very lightweight - low price
- 4 igus® smallest e-chain® - interior dimensions .20" x .20" (5 x 5 mm)
- 5 Dirt-repellant exterior
- 6 Available as E-Z style e-chain, See Chapter 2
- 7 Patented push-button design for better stability



## Order Example: Complete e-chain®

Please indicate chain length or number of links. Example:

3.28 ft (1 m) 03-05-028-0

e-chain®

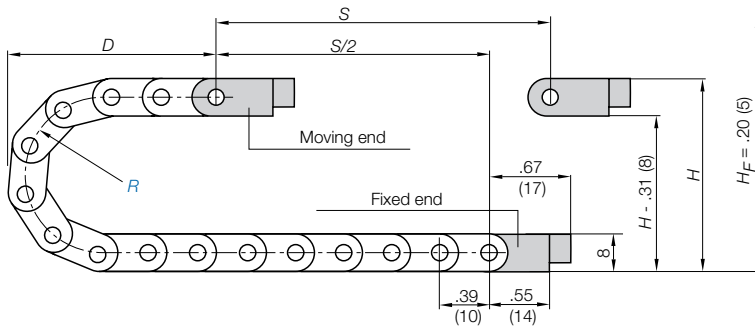
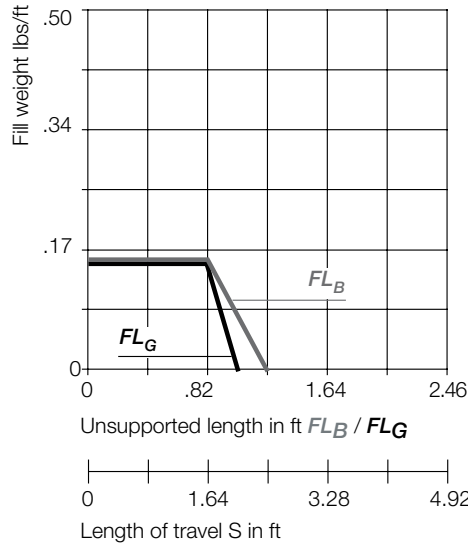
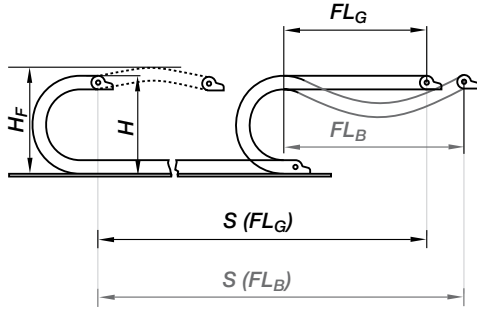
1 Set 03-05-12Z

Mounting Bracket

# e-chain system® E2 Micro Series 03 Installation Dimensions

## Short travel, unsupported length

- $FL_B$  = unsupported with permitted sag
  - $FL_G$  = unsupported with straight upper run
- Further information ► Design, Chapter 1



Pitch per link = .39" (10 mm)  
 Links per ft (m) = 30.47 (100)  
 For center mount applications:  
 Chain length =  $\frac{S}{2} + K$

The required clearance height:  $H_F = H + .20$  in. (5 mm) (with .067 lbs/ft (0.1 kg/m) fill weight).  
 Please consult igus® if space is particularly restricted.

R	.39 (010)	.47 (012)	.59 (015)	.71 (018)	1.10 (028)
H	1.10 (28)	1.26 (32)	1.50 (38)	1.73 (44)	2.52 (64)
D	1.14 (29)	1.22 (31)	1.34 (34)	1.46 (37)	1.85 (47)
K	2.17 (55)	2.36 (60)	2.76 (70)	3.15 (80)	4.33 (110)

## Short Travels - Unsupported



Unsupported e-chains® feature positive camber over short travels. This must be accounted for when specifying the clearance height. Please refer to **Installation dimensions** for further details.

## Legend

- S = Length of travel
- R = Bending radius
- H = Nominal clearance height
- D = Overlength e-chain® radius in final position
- $K = \pi \cdot R + \text{safety buffer}$
- $H_F$  = Required clearance height

\*If the mounting bracket location is set lower



PDF: [igus.com/e-chain-pdfs](https://igus.com/e-chain-pdfs)  
 Product information: [igus.com/e-chains](https://igus.com/e-chains)



Speed / acceleration $FL_G$	max. 65.6 ft/s (20 m/s) / max. 656 ft/s <sup>2</sup> (200 m/s <sup>2</sup> )
Speed / acceleration $FL_B$	max. 9.84 ft/s (3 m/s) / max. 19.69 ft/s <sup>2</sup> (6 m/s <sup>2</sup> )
Gliding speed / acceleration (maximum)	max. 9.84 ft/s (3 m/s) / max. 32.8 ft/s <sup>2</sup> (10 m/s <sup>2</sup> )
Material - permitted temperature	igumid NB / -40°F (-40°C) up to +176°F (+80° C)
Flammability Class, igumid NB	VDE 0304 IIC UL94 V2

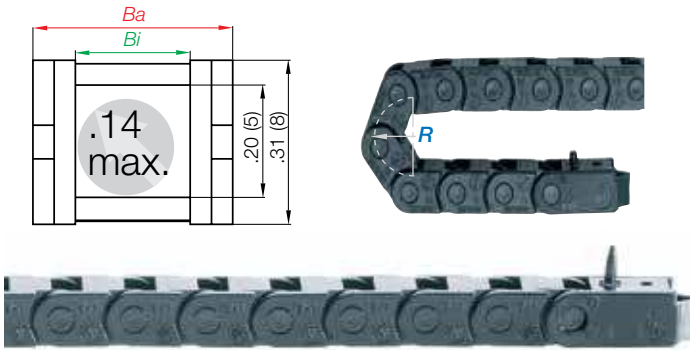
## Technical Data



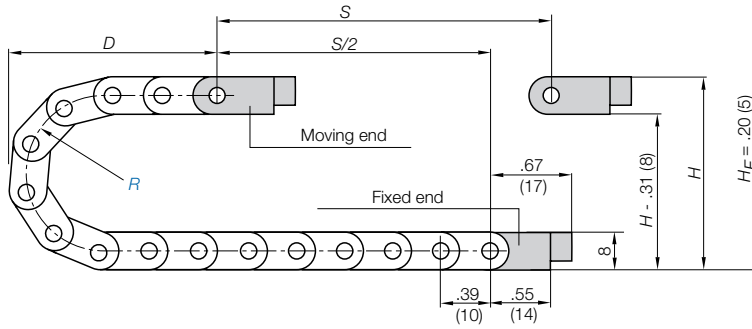
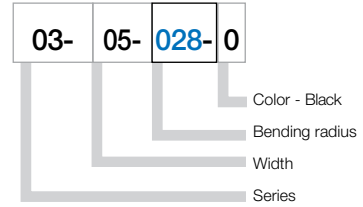
Details of material properties

► Chapter 1

Series 03 - e-chain® non snap-open



Part Number Structure



Supplement part number with required radius. Example: 03-05-028-0  
Pitch: .39 in. (10 mm) per link links/ft (m) = 30.47 (100)

Part Number	Bi in. (mm)	Ba in. (mm)	Weight lbs/ft (kg/m)
03-05- [ ] -0	.20 (5)	.34 (8.7)	≈ 0.027 (0.04)
03-07- [ ] -0	.28 (7)	.42 (10.7)	≈ 0.034 (0.05)
03-10- [ ] -0	.39 (10)	.54 (13.7)	≈ 0.040 (0.06)

Choose from the radii below for all of the above sizes  
Radius (mm) Example: 03-05-028-0

	010	012	015	018	028
R	.39 (010)	.47 (012)	.59 (015)	.71 (018)	1.10 (028)
H	1.10 (28)	1.26 (32)	1.50 (38)	1.73 (44)	2.52 (64)
D	1.14 (29)	1.22 (31)	1.34 (34)	1.46 (37)	1.85 (47)
K	2.17 (55)	2.36 (60)	2.76 (70)	3.15 (80)	4.33 (110)

0=Standard color black. For other colors see Chapter 1

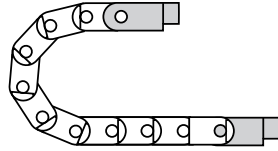
# e-chain system® E2 Micro Series 03 Mounting Brackets



## Polymer, one-piece

- One-piece mounting bracket
- Corrosion resistant
- Available preassembled
- Rapid installation through adaptor plate

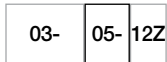
Moving end  
03 ...1Z



Fixed end  
03...2Z



## Part Number Structure



Complete Set  
Width  
Mounting bracket for selected chain type

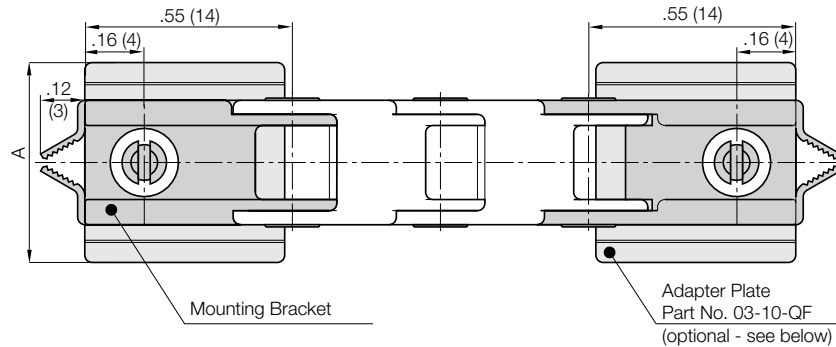
Full set, for both ends:

03- 05- 12Z Full set, each part with pin/bore

Single-part order:

03- 05- 1Z Mounting bracket with bore

03- 05- 2Z Mounting bracket with pin



Chain Width	Part No. Full Set	Dimension A in. (mm)
-05	03-05-12Z	.34 (8.7)
-07	03-07-12Z	.42 (10.7)
-10	03-10-12Z	.54 (13.7)

## Additional Accessories



### 03-10-QF = Adapter plate for all sizes

The adapter has broken edges, so that it can be adapted to the respective chain width. It is not absolutely necessary for attaching the mounting brackets. The mounting brackets can also be screwed on without the adapter plate.

