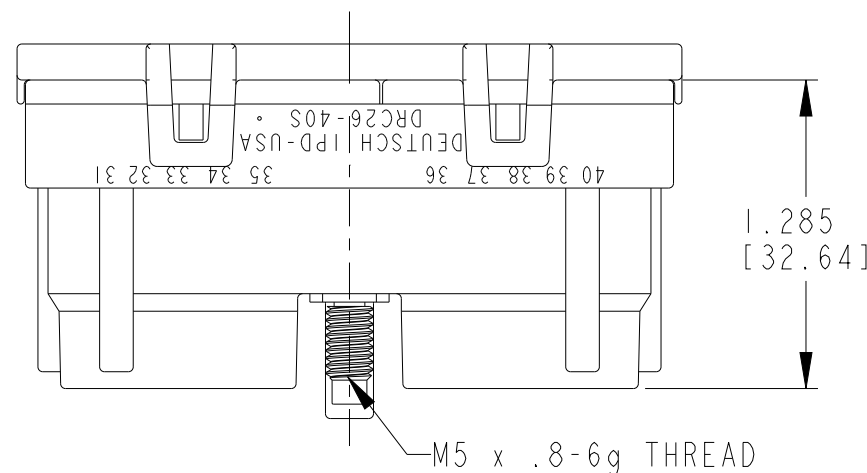
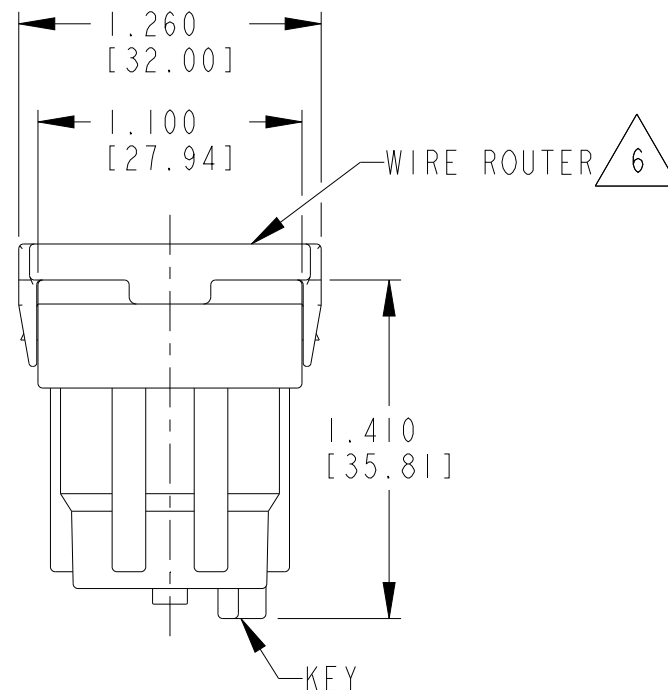
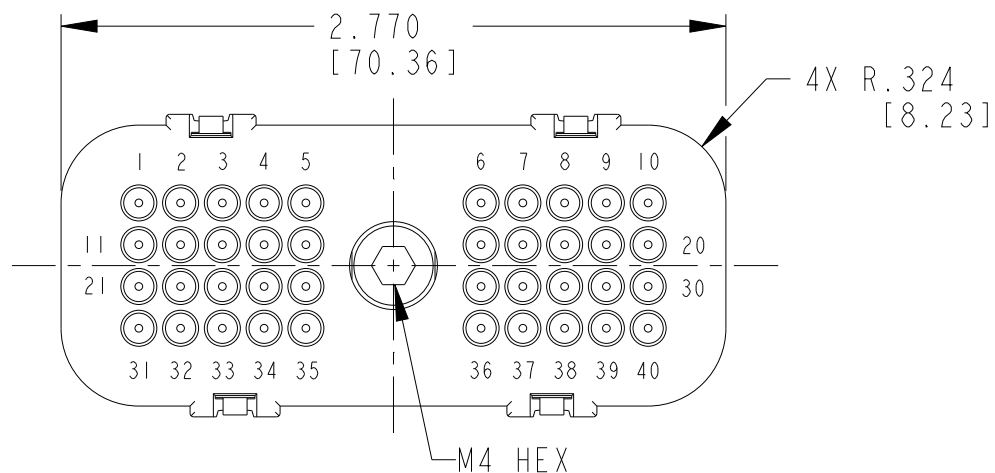


P	LTR	DESCRIPTION	DATE	DWN	APVD
	C	REVISED PER PCN-21-118564	04MAR2022	DRK	CB



DRC26-40SA-L011

DRC26-40SB-L011



DRC26-40SC-L011

DRC26-40SD-L011



KEY ORIENTATION

CONTACT SIZE	MIN. INSUL. O.D.	MAX. INSUL. O.D.	WIRE RANGE [mm ²] REF ONLY
20	.040 [1.016]	.095 [2.413]	16-20 AWG [1.0-0.5]

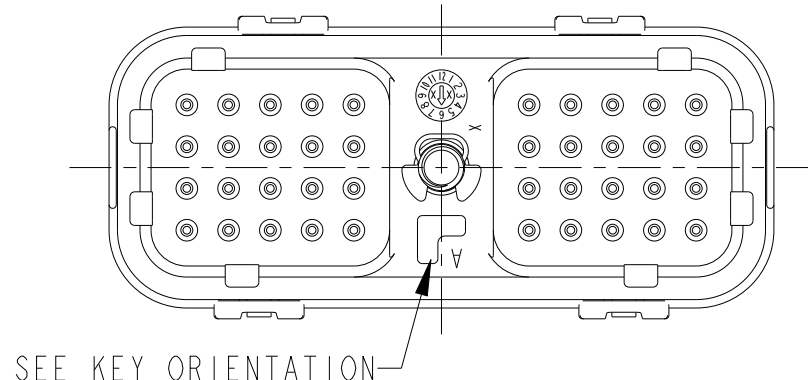
TCPN	ALIAS PART NUMBER
DRC26-40SA-L011	DRC26-40SA-L011
DRC26-40SB-L011	DRC26-40SB-L011
DRC26-40SC-L011	DRC26-40SC-L011
DRC26-40SD-L011	DRC26-40SD-L011



PART MODIFICATION: WIRE ROUTER ONTO PLUG.



MATERIAL: HOUSING: PA46 (BLACK); BOLT: STEEL, TRIVALENT ZINC PLATED (ROHS COMPLIANT); CLIP: STEEL; GROMMET: VMQ



4. RECOMMENDED RETAINING BOLT TORQUE: 25-28 IN-LB [2.82-3.16 NM].

3. THIS PLUG MATES WITH DRC23-40P*-**** RECEPTACLE. (* = A,B,C,D KEYS; **** = ALL MODIFICATIONS)



FOR CONTACT AND WIRE PERFORMANCE AND APPLICATION CHARACTERISTICS SEE ENVELOPE DRAWING 0425-015-0000.

1. PLUG IS SUPPLIED WITH DUST CAP (NOT SHOWN).

NOTES: UNLESS OTHERWISE SPECIFIED

THIS DRAWING IS A CONTROLLED DOCUMENT.		DWN J APOSTOL 17MAR2005														
DIMENSIONS: INCHES [mm]		CHK R MESSENGER 31MAR2005														
TOLERANCES UNLESS OTHERWISE SPECIFIED:		APVD R REED 31MAR2005	NAME PLUG 40 CONTACTS, SIZE 20 L011 MOD DRC SERIES													
<table border="1"> <tr> <td>0 PLC</td> <td>±-</td> </tr> <tr> <td>1 PLC</td> <td>±-</td> </tr> <tr> <td>2 PLC</td> <td>±-</td> </tr> <tr> <td>3 PLC</td> <td>±.025 [.635]</td> </tr> <tr> <td>4 PLC</td> <td>±-</td> </tr> <tr> <td>ANGLES</td> <td>±-</td> </tr> </table>		0 PLC	±-	1 PLC	±-	2 PLC	±-	3 PLC	±.025 [.635]	4 PLC	±-	ANGLES	±-	PRODUCT SPEC -	SIZE A3	
0 PLC	±-															
1 PLC	±-															
2 PLC	±-															
3 PLC	±.025 [.635]															
4 PLC	±-															
ANGLES	±-															
MATERIAL		APPLICATION SPEC -	CAGE CODE 00779	DRAWING NO. C=DRC26-40SX-L011												
		WEIGHT -	RESTRICTED TO -													
		CUSTOMER DRAWING	SCALE 1.25	SHEET 1 OF 1 REV C												