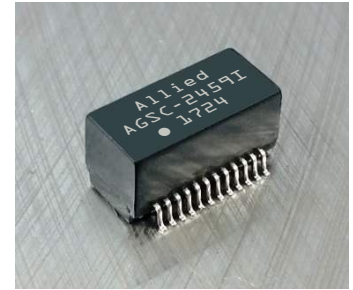




10/100/1000 Gigabit 6KV LAN Filter Module

AGSC-2459I

- 10/100/1000 Gigabit Base-T, Designed for Full Duplex Ethernet Applications
- IEEE 802.3ab (Long Haul Gigabit) Compatible
- This product supports a 6KV Hi-Pot Rating!
- RoHS Compliant and Halogen Free
- Operating Temperature Range: -40°C to +85°C



Electrical Specifications @ 25°C

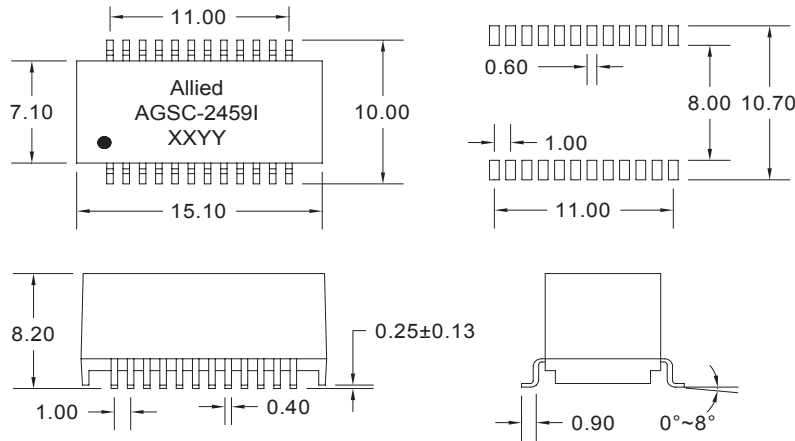
OCL(μH Min) @ 100KHz, 0.1V With 8mA DC Bias	Turns Ratio (±5%)	Return Loss (dB Min)				
		1-30MHz	40MHz	50MHz	60-80MHz	100MHz
350	1CT:1CT	-18	-14.4	-13.1	-12	-10

Electrical Specifications @ 25°C

Insertion Loss (dB Max)	Cross Talk (dB Min)			Common Mode Rejection (dB Min)			HI-POT DC
	1-100MHz	30MHz	60MHz	100MHz	30MHz	60MHz	
-1.0	-45	-40	-35	-40	-35	-30	6000V

All specifications subject to change without notice.

MECHANICAL



SCHEMATICS

Dimensions: mm  
Unless otherwise specified, all tolerances are ±0.25

