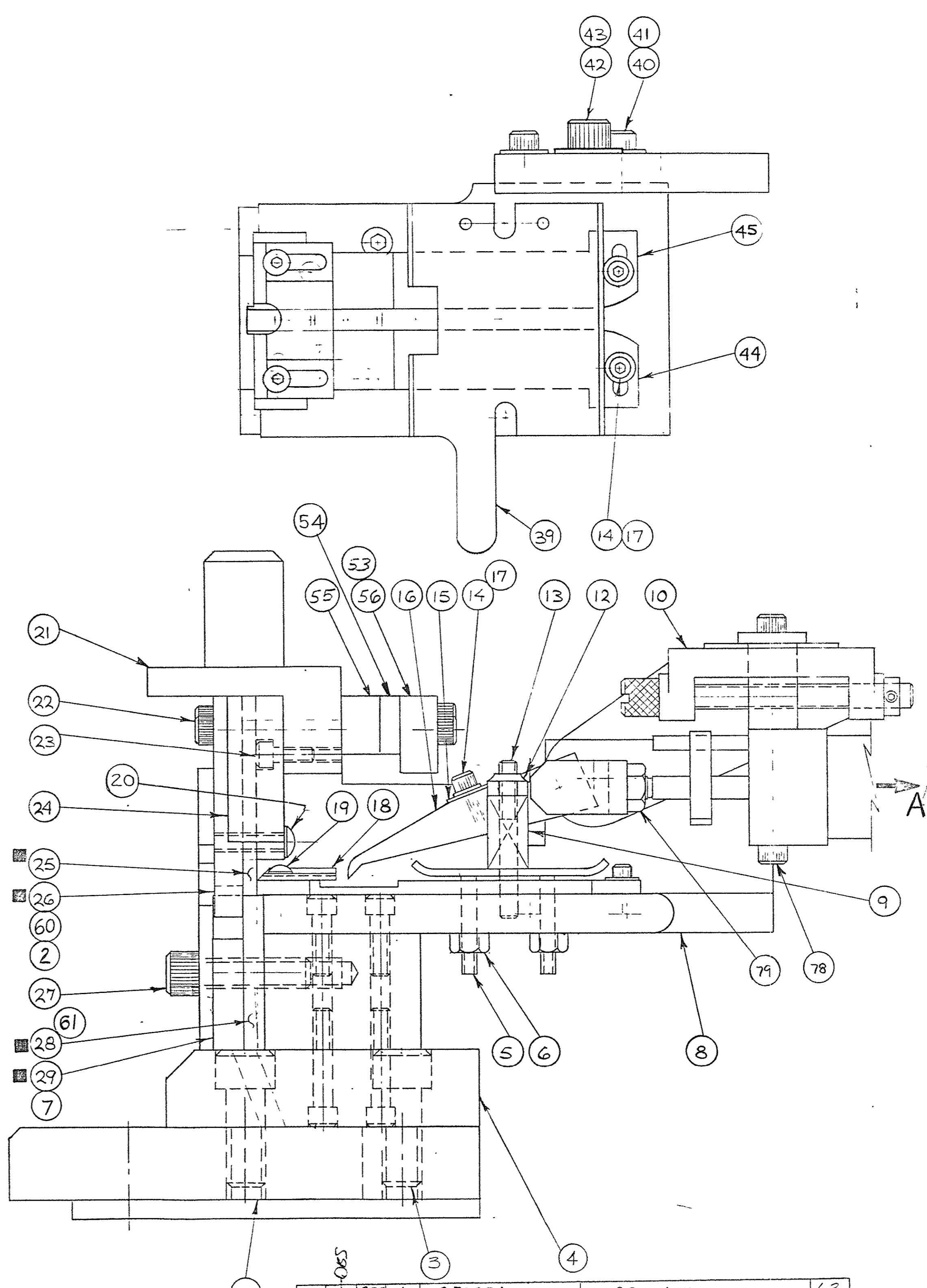
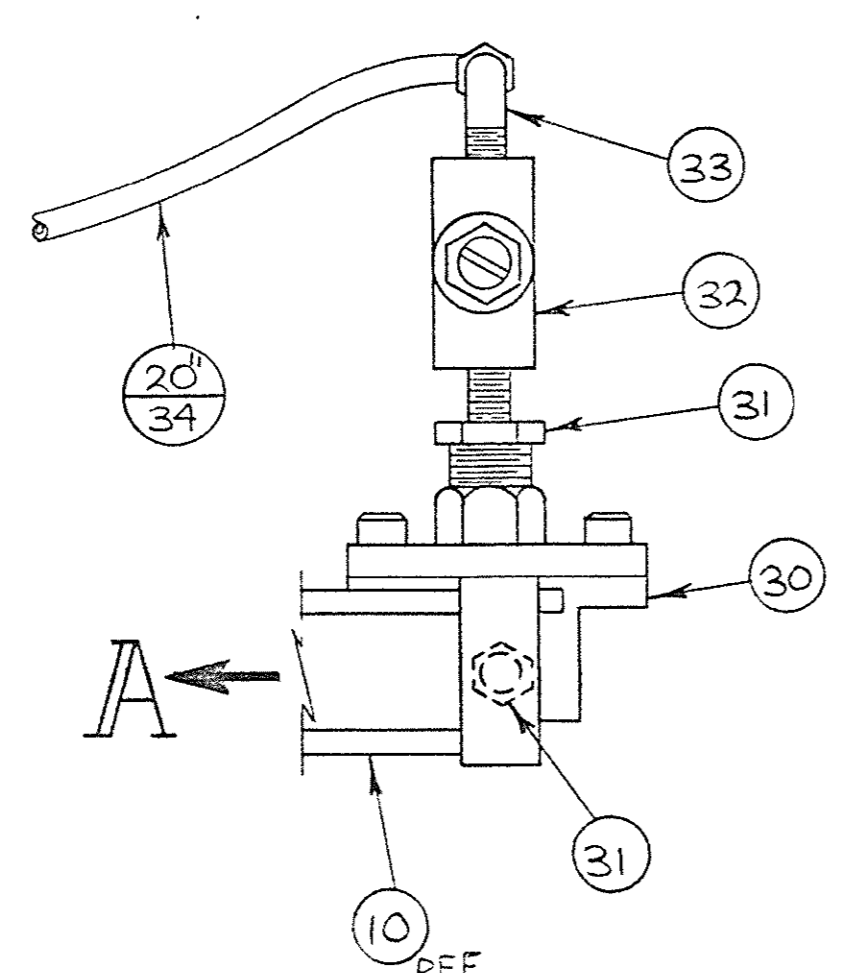
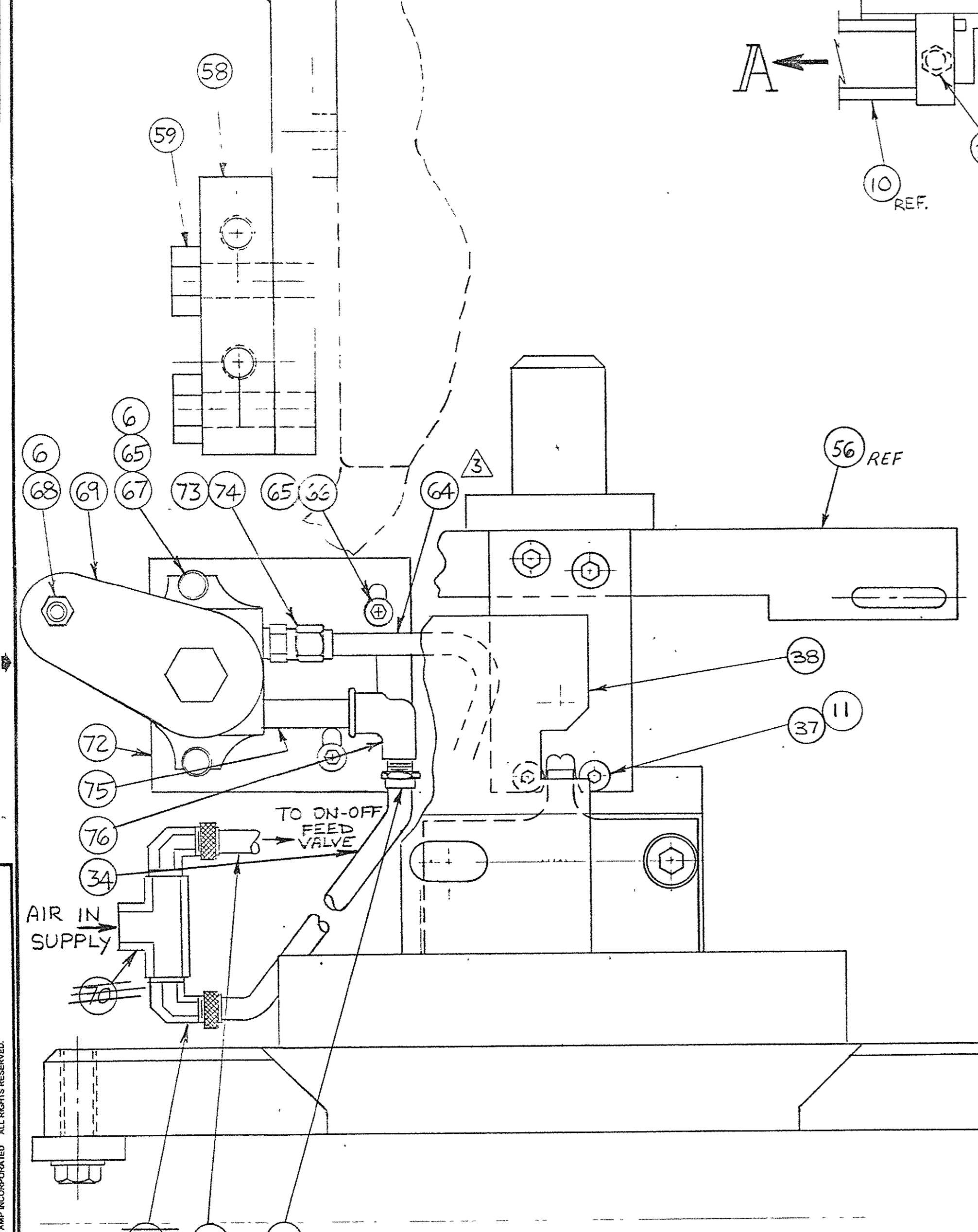


- 1 PLACE ITEM #46 BETWEEN CRIMP HOLDER ITEM 24 & ALIGNMENT GAGE ITEM 47 P/N 679597-1
- 2 MOUNT TO PRESS STOCK GUIDE
- 3 CUT TO LENGTH AT ASSY

REEL SUPPORT BRACKET (REF.)



TERMINALS TERM APPL SPEC 114-2003

CRIMPING DATA		TERMINALS
WIRE SIZE	CRIMP HEIGHT	62311
(2) 12 MAG	.103	
CRIMP SIZE TYPE FEED		
WIRE (-CLASS)	.270 BLUNT	
WIRE (-CLASS)	.310 BLUNT	430
WIRE (-CLASS)	.220 BLUNT	
INSULATION RANGE	WIRE RANGE	
	10,000 TO 22,000 CMA	

APPLICATOR TO BE USED IN 5-TON BENCHMASTER P/N 565433-4

QTY	REF	REF	DESCRIPTION	ITEM NO.
1	1	B	819626-1 BRACKET, ACTUATOR	56
1	1	A	371354 SPACER	55
1	1	A	370693 SPACER	54
2	2	A	21001-7 SCR, SHC 1/4-20x1.25	53
1	1	A	21055-8 WASHER, FLAT 1/4	52
4	4	A	21024-8 WASHER, LOCK 3/8 I.D.	51
4	4	A	3-21015-4 SCR., HEX. HD. 3/8-16x1.75Lg.	50
2	2	A	694788-1 PLATE, WASHER	49
1	1	D	460677-4 GUARD ASS'Y	48
REF	REF	REF	679597-1 ALIGNMENT GAGE	47
REF	REF	REF	693619-1 SPACER, TOOL	46
1	1	A	811173-2 GUIDE, REAR STRIP	45
1	1	A	811172-2 GUIDE, FRONT STRIP	44
1	1	A	21899-5 WASHER, FLAT 3/8 I.D.	43
1	1	A	3-21001-5 SCR., SOC. HD. CAP 3/8-16x1.00Lg.	42
2	2	A	21899-3 WASHER, FLAT 1/4 I.D.	41
2	2	A	21001-4 SCR., SOC. HD. CAP 1/4-20x.75 Lg.	40
1	1	A	370666 DRAG	39
1	1	B	389072-3 GUARD & STRIPPER	38
2	2	A	2-21002-1 SCR. BUT. HD. CAP #8-32x.38Lg.	37
2	2	A	21017-2 SCR., RH DRIVE	36
1	1	B	461264-1 PLATE, IDENTIFICATION	35
60	50	A	27319-4 TUBING 1/4"	34
1	1	A	22294-6 ELBOW, MALE 1/8 NPT x 1/4 TUBE	33
1	1	A	23054-1 VALVE, FLOW CONTROL	32
2	2	A	22304-1 NIPPLE, HEX. 1/8 NPT x 1/8 NPT	31
1	1	A	22374-7 VALVE, QUICK EXHAUST	30
1	1	C	1-455714-3 ANVIL, AMPLIVAR PIGTAIL	29
1	1	A	465891-1 PLATE, REAR SHEAR	28
2	2	A	3-21001-6 SCR., SOC. HD. CAP 3/8-16x1.25Lg.	27
1	1	C	1-455713-2 CRIMPER, BLUNT (.270)	26
1	1	C	693012-1 BLADE, SLUG	25
1	1	A	465755-2 HOLDER, CRIMPER & BLADE	24
1	1	A	3-21000-5 SCR., SOC. HD. CAP #10-32x.50Lg.	23
2	2	A	21001-7 SCR., SOC. HD. CAP 1/4-20x1.25Lg.	22
1	1	B	804887-1 HOLDER, TOP TOOL	21
1	1	A	3-21002-5 SCR., BUT. HD. CAP 1/4-20x.75Lg.	20
2	2	A	2-21002-2 SCR., BUT. HD. CAP #8-32x.50Lg.	19
1	1	A	810640-4 HOLD DOWN, STRIP	18
2	2	A	1-21899-3 WASHER, FLAT #8 I.D.	17
1	1	A	452817-1 FINGER, FEED	16
1	1	A	374999 PLATE, TENSION ADJ.	15
2	2	A	2-21000-6 SCR., SOC. HD. CAP #8-32x.38Lg.	14
2	2	A	2-22354-4 STUD, DRAG 1/4-20x2.00Lg.	13
2	2	A	21022-4 NUT, HEX S/L 1/4-20UNC	12
1	1	A	21024-4 WASHER, LOCK #8	11
1	1	B	692653-1 ASS'Y, 1" AIR FEED	10
2	2	A	23847-8 SPRING, DIE .28 I.D. x 1.00 Lg.	9
1	1	A	472948-1 BRACKET, FEED MOUNTING	8
1	1	C	1-455714-1 ANVIL .220	7
6	2	A	21018-7 NUT, HEX. #10-32UNF	6
2	2	A	372997 SCR., STOCK DRAG ADJ.	5
1	1	C	570703-2 MOUNT ASSEMBLY	4
4	4	A	5-21001-2 SCR., SOC. HD. CAP 1/2-13x1.25Lg.	3
1	1	C	1-455713-0 CRIMPER, WIRE .220	2
1	1	C	807850-1 PLATE, BOLSTER	1

THIS IS A CONTROLLED DOCUMENT.

ALL RIGHTS RESERVED.

LOC A DIST 4

QTY	REF	REF	DESCRIPTION	ITEM NO.
1	1	A	22202-4 NUT, HEX. 5/16 X 24	79
1	1	A	1-21001-0 SCR., SHC. 1/4-20 x 2.00	78

QTY	REF	REF	DESCRIPTION	ITEM NO.
1	1	A	22295-7 FITTING, MALE, .25 TUBE X 1/8 NPT	77
1	1	A	22293-3 ELBOW, FEMALE, 1/8 NPT X 1/4 TUBE	76
1	1	A	22313-1 NIPPLE, LG. 1/8 NPT X 1.50	75
1	1	A	22319-3 FITTING, PIPE, 1/8 NPT X 1/4 TUBE	74
1	1	A	22304-1 NIPPLE, HEX. 1/8 NPT	73
1	1	A	811352-3 BRACKET, AIR VALVE	72
1	1	A	22294-7 ELBOW, MALE, 1/4 X 1/4 TUBE	71
1	1	A	22301-2 FEE, ST., FEMALE 1/4 NPT	70
1	1	A	23018-1 VALVE, ON-OFF	69
1	1	A	3-21000-9 SCR, SHC, 10-32 x 1.00	68
2	2	A	3-21000-6 SCR, SHC, 10-32 x .62	67
2	2	A	3-21000-7 SCR, SHC, 10-32 x .75	66
4	4	A	21899-2 WASHER, FLAT, # 10	65
1	1	B	689446-2 TUBING, COPPER	64

REF	REF	DESCRIPTION	ITEM NO.
1	1	A 852931-2 LUBRICANT	63
1	1	B 464519-2 LUBRICATOR ASSY	62
1	1	C 2-455714-2 ANVIL, AMPLIVAR, PIGTAIL	61
1	1	C 1-455713-8 CRIMPER, BLUNT, .310	60
2	2	A 3-21001-6 SCR, SOC. HD. CAP 3/8-16x1.25	59
1	1	B 808818-1 BLOCK, REEL BRKT. MOUNT	58
1	1	B 808319-1 SPACER, REEL BRKT.	57

REV	DATE	DESCRIPTION
1	0150-0178-04	REV 2-04
2	0150-7855-97	DS 8-97
3	0150-5843-94	TS 12-94
4	MI ADDED -3	MS 3/93
5	ECN A-377392	MS 7-92
6	ECN A-283390	MS 1/91
7	ECN A-272390	MS 10-90
8	ECN R-7699	MS 11/87

QTY REQD PER ASSY	PARTS LIST
DIMENSIONS IN INCHES. TOLERANCES UNLESS OTHERWISE SPECIFIED:	MATERIAL HEAT TREAT FINISH
2 PL DEC ±.01	DR 12/18/80 APP 5/31
3 PL DEC ±.01	CHK 1/13/01 REL 6/2/01
4 PL DEC ±.01	NAME LENGTHWISE AMPLIVAR SPLICE (PIGTAIL) ST'D APPL
ANGLES ±.01	SCALE 1:1 DWG NO 566315 SHEET 1 OF 1
SURF TEXTURE: REMOVE BURRS, BREAK SHARP EDGES .015R MAX	CUSTOMER AND ASSEMBLY DRAWING