

**BOURNS®**

**Features**

- 1008 size
- Available in E12 series
- High Q up to 80 typ.
- High operating temperature of 125°C

**Applications**

- Mobil phones
- Cellular phones
- CTV, VCR, HIC, FDD

**CW252016 Series - High Q Chip Inductors**

**Electrical Specifications**

Bourns Part No.	Inductance		Q	Test Freq. MHz		SRF min.	RDC	I rms
	nH	Tol.%	min.	L	Q	MHz	ohms	mA max.
CW252016-10NK	10	±10	50	50	500	4100	0.08	1000
CW252016-12NK	12	±10	50	50	500	3300	0.09	1000
CW252016-15NK	15	±10	40	50	500	2500	0.10	1000
CW252016-18NK	18	±10	50	50	350	2500	0.11	1000
CW252016-22NK	22	±10	55	50	350	2400	0.12	1000
CW252016-27NK	27	±10	55	50	350	1600	0.13	1000
CW252016-33NK	33	±10	60	50	350	1600	0.14	1000
CW252016-39NK	39	±10	60	50	350	1500	0.15	1000
CW252016-47NK	47	±10	65	50	350	1500	0.16	1000
CW252016-56NJ	56	±5	65	50	350	1300	0.18	1000
CW252016-68NJ	68	±5	65	50	350	1300	0.20	1000
CW252016-82NJ	82	±5	60	50	350	1000	0.22	1000
CW252016-R10J	100	±5	60	25	350	1000	0.56	650
CW252016-R12J	120	±5	60	25	350	950	0.63	650
CW252016-R15J	150	±5	45	25	100	850	0.70	580
CW252016-R18J	180	±5	45	25	100	750	0.77	520
CW252016-R22J	220	±5	45	25	100	700	0.84	500
CW252016-R27J	270	±5	45	25	100	600	0.91	500
CW252016-R33J	330	±5	45	25	100	570	1.05	480
CW252016-R39J	390	±5	45	25	100	500	1.12	470
CW252016-R47J	470	±5	45	25	100	450	1.19	470
CW252016-R56J	560	±5	45	25	100	415	1.33	400
CW252016-R68J	680	±5	45	25	100	375	1.47	400
CW252016-R82J	820	±5	45	25	100	350	1.61	360
CW252016-1R0J	1000	±5	35	25	50	290	1.75	330
CW252016-1R2J	1200	±5	35	7.9	50	250	2.00	280
CW252016-1R5J	1500	±5	28	7.9	50	200	2.30	280
CW252016-1R8J	1800	±5	28	7.9	50	160	2.60	270
CW252016-2R2J	2200	±5	28	7.9	50	160	2.80	250
CW252016-2R7J	2700	±5	22	7.9	25	140	3.20	250
CW262016-3R3J	3300	±5	22	7.9	25	110	3.40	250
CW252016-3R9J	3900	±5	20	7.9	25	100	3.60	230
CW252016-4R7J	4700	±5	18	7.9	25	90	4.00	230

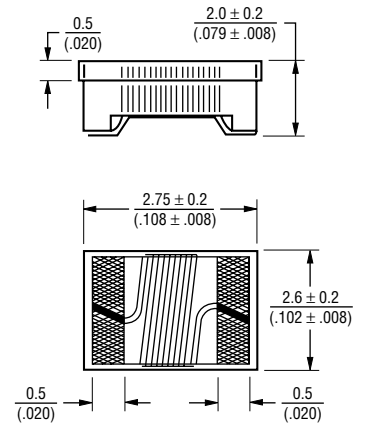
**General Specifications**

Temperature Rise .....40°C max. at rated current  
 Operating Temperature...-40°C to +125°C  
 Storage Temperature ....-40°C to +125°C  
 Reflow Soldering.....230°C, 10 sec. max.  
 Resistance to Soldering Heat .....260°C, 5 seconds

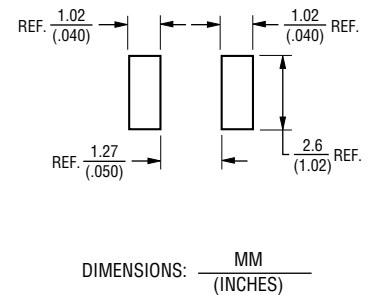
**Materials**

Core Material .....Alumina (1CC24201)  
 Wire .....Enamelled Copper (1W1E180)  
 Terminal Electrode .....Mo/Mn+Ni+Au  
 Packaging .....2,000 pcs per reel

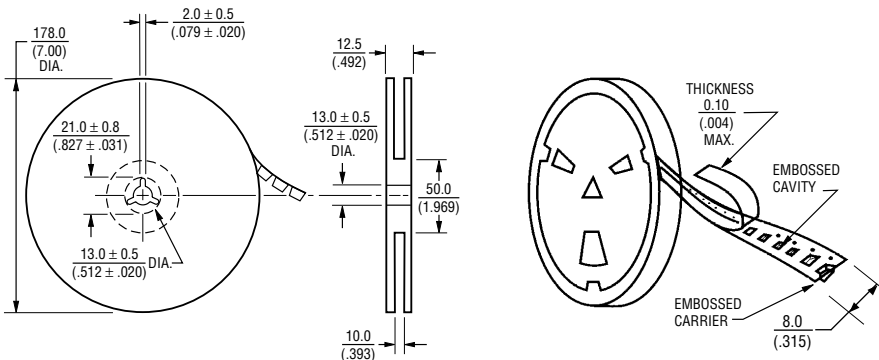
**Product Dimensions**



**Recommended Layout**



**Packaging Specifications**



REV. 10/01

NOTE: 2% TOLERANCE AVAILABLE FOR INDUCTANCE RANGES OF 33NH AND UP. REPLACE "J" OR "K" WITH "G".  
 Specifications are subject to change without notice.