

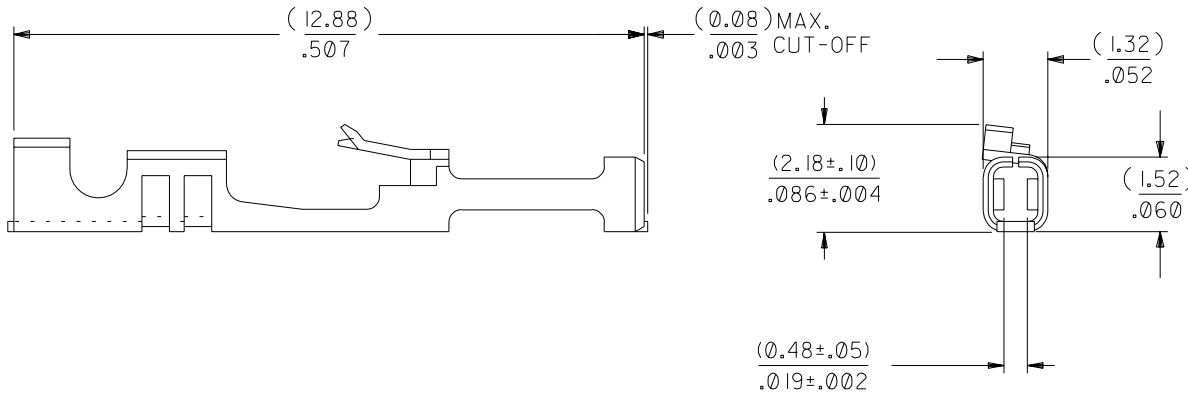
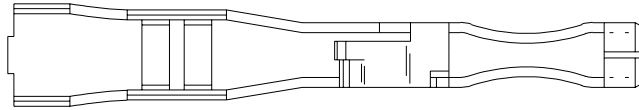
**NOTES:**

1. TERMINAL TO BE USED IN HOUSINGS 70066-\*\*\*\* AND 70450-\*\*\*\*
2. REFER TO PRODUCT SPECIFICATION PS-71851
3. REFER TO MOLEX OPERATIONS AND SERVICE MANUAL FOR CRIMP DETAILS
4. TERMINAL TO BE USED WITH (0.64)/.025 SQUARE PINS
5. TERMINAL TO BE USED WITH 22-24 AWG STRANDED WIRE WITH (1.63)/.064 MAX. DIA. INSULATION
6. TERMINALS SUPPLIED IN REEL FORM

**PLATING:**

.000015 MINIMUM GOLD PLATE IN SELECT AREA WITH .000075 MINIMUM TIN PLATE IN SELECT AREA OVER NICKEL PLATE OVERALL

\*THE PRIMARY SHIPPING CARTON WILL BE LABELED "COMPLIANT TO RoHS DIRECTIVE 2002/95/EC AND ELV ANNEX II OF DIRECTIVE 2000/53/EC". CARTONS WITHOUT THIS LABEL MAY CONTAIN PRODUCT WITH LEAD.



				B		REVISE PER ECR# U82219 11-07-88 MJM/MGB		DIMENSIONS SHOWN (METRIC) INCH UNLESS OTHERWISE SPECIFIED TOLERANCES: ANGULAR ± 1/2°		▽ = 0    ▼ = 0    REVISE ONLY ON CAD SYSTEM	
		C		A		FINAL RELEASE PER ERO #26846 7/14/88 MJM		INCH    METRIC		TITLE TERMINAL-BOX/CRIMP HIGH FORCE CONTACT	
		BI		3		REVISE PER ERO #26254 3/25/88 MJM		3 PLACE ± .010    --- 2 PLACE ± .014    ± 0.25 1 PLACE    ---    ± 0.35		MOLEX INCORPORATED    SHEET NO.    DATE LISLE, ILL.    60532    U.S.A.    1    03/25/88	
		LTR.		REVISIONS		LTR.		DRAFT WHERE APPLICABLE MUST REMAIN WITHIN DIMENSIONS		PART NO. 016-02-1124    DRWG. NO. SD-71851-0024	
								DRWG. BY: MJM    CHK'D. BY: MJM		FILE NAME S71851X5	
								APP'D. BY: WAZ    SCALE 10: 1		THIS DRAWING CONTAINS INFORMATION THAT IS PROPRIETARY TO MOLEX INC. AND SHOULD NOT BE USED WITHOUT WRITTEN PERMISSION.	
										DIV.    SIZE DA    B	