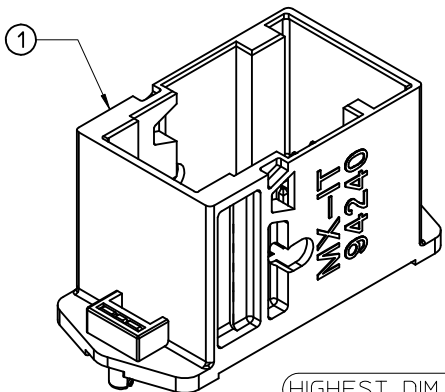
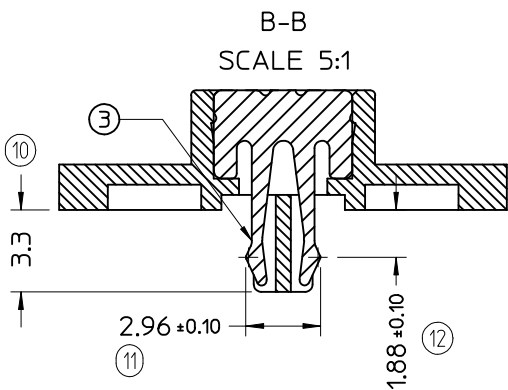
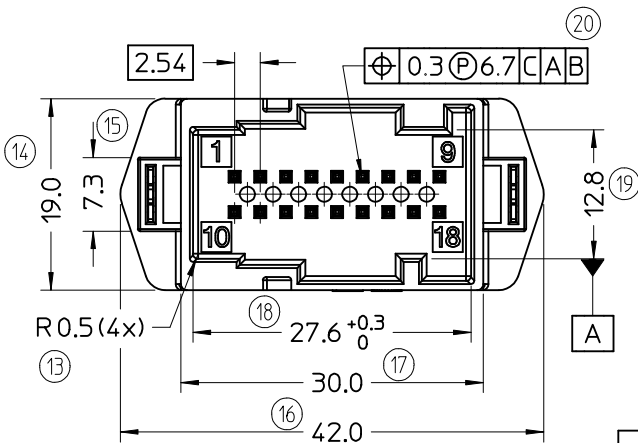


RECOMMENDED PCB LAYOUT (COMPONENT SIDE)
PCB THICKNESS 1.6 +/-0.15mm



HIGHEST DIM. CONTROL No.: 20

- A) MATERIALS:
 1) HOUSING: SEE TABLE
 2) CONTACTS: BRASS, TIN OVER NICKEL PLATED
 3) BOARD LOCKS: COPPER ALLOY
- B) NOTES:
 - RET. FORCE OF BOARD LOCK SYSTEM ON PCB: 15 N MIN.
 - REF. DOCUMENT: PS-94240-001

P/N	PACKAGING	MATERIAL	S.P.Q.
94240-2818	IN TRAYS	PCT 20% FV GREY	15120
94240-3818	IN CARTON BOXES	PBT 20% FV GREY	

Std.Descr.: *HEADER GREY THRU HOLE W/PEGS 18 CKT*

EC NO: Z2009-0059 DRWN: SBARBER 2009/04/21 CHKD: LSANTISSA 2009/04/21 APPR: FBISIELLO 2009/04/28	QUALITY SYMBOLS ▽ - 0 ∇ - 0	GENERAL TOLERANCES (UNLESS SPECIFIED)		SCALE 2:1	DESIGN UNITS METRIC	FIRST ANGLE PROJECTION	REVISE ON CAD ONLY	
		mm	INCH	DIMENSION STYLE MM ONLY		TITLE		
		4 PLACES ± ---	± ---	DRAWN BY DATE		18 CKT GREY HEADER WITH BOARD LOCKS		
		3 PLACES ± ---	± ---	FGOTTARD 2002/05/10				
2 PLACES ± 0.3	± ---	CHECKED BY DATE		MOLEX INCORPORATED				
1 PLACE ± 0.3	± ---	MTESTAGU 2002/05/10						
ANGULAR ± 2 °		APPROVED BY DATE		MATERIAL NO.	DOCUMENT NO.	SHEET NO.		
DRAFT WHERE APPLICABLE		GZUIN 2002/05/10		see table	SD-94240-003	1 OF 1		
MUST REMAIN WITHIN DIMENSIONS		THIS DRAWING CONTAINS INFORMATION THAT IS PROPRIETARY TO MOLEX INCORPORATED AND SHOULD NOT BE USED WITHOUT WRITTEN PERMISSION						A3