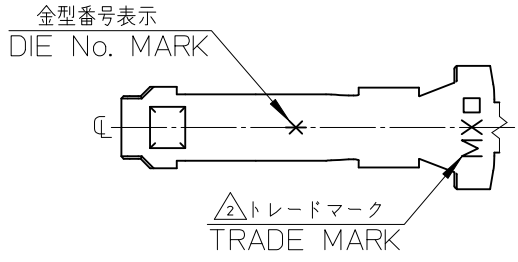
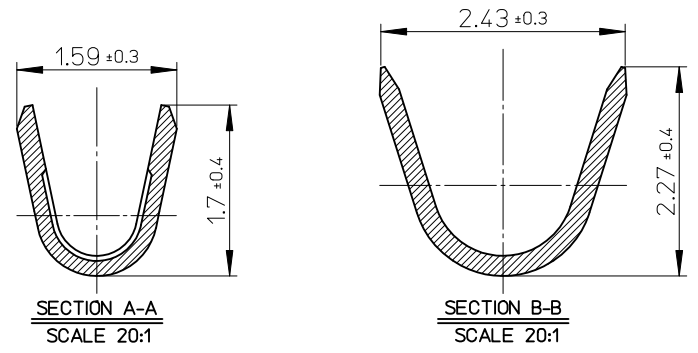
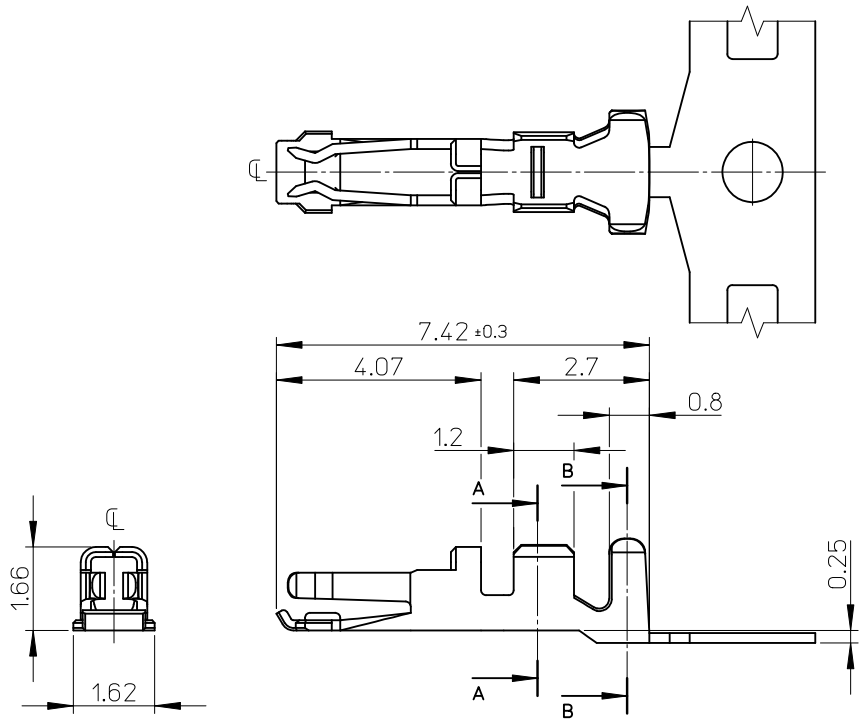


NOTES:

- 適合ハウジング: 503658 シリーズ  
APPLICABLE HOUSING: 503658 SERIES
- △トレードマーク: MX プラス 1文字の製造工場を示すアルファベットにて表示。  
但し、"J"はJAPANを示す。(例 MXJ)  
FORMED BY MX AND 1 MORE LETTER OF ALPHABET WHICH MEAN THE MANUFACTORY.  
BUT "J" MEANS JAPAN. (TO TRADE MARK) (e.g. MXJ)
- 製品の取扱いは、コネクタ取扱説明書(AS-503658-001)を参照願います。  
PLEASE REFER TO INSTRUCTION MANUAL(AS-503658-001).
- 圧着条件については、圧着仕様書(CS-503657-001)を参照願います。  
PLEASE REFER TO CRIMP SPECIFICATION(CS-503657-001).
- ELV 及び RoHS 適合品  
ELV AND RoHS COMPLIANT.



503657-1100	バラ状 LOOSE	503657-1*00
503657-1000	連鎖状 CHAIN	
オーダー番号 ORDER No.	端子形状 FORM	CONNECTOR SERIES No.

部品 PART ターミナル TERMINAL 適用電線範囲 WIRE RANGE AWG: #22~#26 MM <sup>2</sup> : 0.126~0.34	材質 MATERIAL 銅合金, 錫めっき PRE-TINNED COPPER ALLOY 絶縁被覆外形 INSURATION RANGE φ0.9~φ1.5	REVISED EC NO: J2011-0571 DRWN:SSAT002 CHKD: APPR:NUKITA 2010/10/19 2010/10/20	GENERAL TOLERANCES (UNLESS SPECIFIED)		DIMENSION STYLE MM ONLY		SCALE 10:1	DESIGN UNITS METRIC	THIRD ANGLE PROJECTION	
			10 UNDER	±0.2	DRAWN BY SSAT002	DATE 2010/08/06	TITLE 2.0 W/B CONN. SINGLE REC. CRIMP TERM.			
			10 OVER 30 UNDER	±0.25	CHECKED BY KASAKAWA	DATE	MOLEX INCORPORATED			
			30 OVER	±0.3	APPROVED BY NUKITA	DATE 2010/10/20	DOCUMENT NO. SD-503657-001			
ANGULAR ±1 °		DRAFT WHERE APPLICABLE MUST REMAIN WITHIN DIMENSIONS		MATERIAL NO. SEE CHART		SHEET NO. 1 OF 1		THIS DRAWING CONTAINS INFORMATION THAT IS PROPRIETARY TO MOLEX INCORPORATED AND SHOULD NOT BE USED WITHOUT WRITTEN PERMISSION		