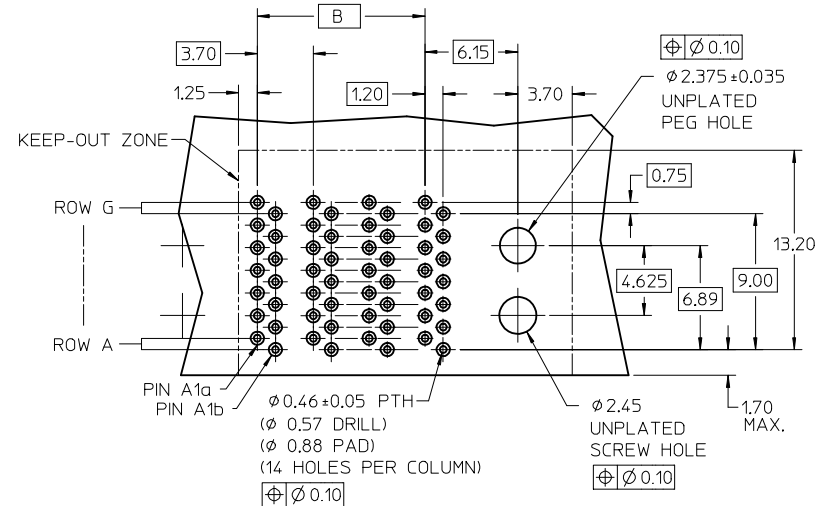


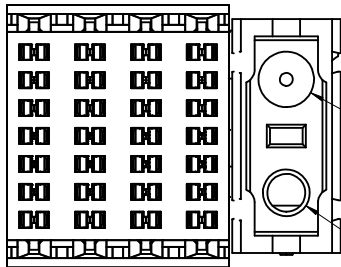
PART NUMBER	# OF COLUMNS	DIM "A" MAX	DIM "B"
76011 - *4**	4	22.06	11.10
76011 - *6**	6	29.60	18.50
76011 - *1**	10	44.40	33.30



RAM HOLE PATTERN  
(CONNECTOR SIDE)

NOTES:

1. MATERIALS: HOUSING - LIQUID CRYSTAL POLYMER (LCP), BLACK, UL 94V-0  
TERMINALS - HIGH PERFORMANCE COPPER ALLOY
2. FINISH: SELECTIVE GOLD (Au) IN CONTACT AREA,  
SELECTIVE MATTE TIN (Sn) IN TAIL AREA,  
NICKEL (Ni) UNDERPLATE OVERALL.
3. MOLEX PRODUCT SPECIFICATION: PS-75710-999.
4. OPTIONAL GUIDE PIN SHOWN IN COPLANAR LOCATION.
5. THIS PART CONFORMS TO CLASS B REQUIREMENTS OF  
COSMETIC SPEC PS-45499-002.
6. PACKAGED PER PK-70873-588.
7. MAPS (MOLEX ADVANCED PLATING SYSTEM).



LOCATION OF GUIDE PIN  
FOR STANDARD COPLANAR

LOCATION OF GUIDE PIN  
FOR INVERTED APPLICATION

STANDARD PIN OPTION  
(76011-\*\*\*3)  
(76011-\*\*\*7)

SEE NOTE 4.

REV	DESCRIPTION	QUALITY SYMBOLS	GENERAL TOLERANCES (UNLESS SPECIFIED)		DIMENSION STYLE		SCALE	DESIGN UNITS	THIRD ANGLE PROJECTION
			mm	INCH	MM ONLY	DATE			
			4 PLACES	± 0.13	± 0.005	EL0	4:1	METRIC	I-TRAC 7-ROW RIGHT ANGLE MALE GUIDE RIGHT ASSEMBLY <b>molex</b> DOCUMENT NO. SD-76011-003 SHEET NO. 1 OF 3
			3 PLACES	± 0.13	± 0.005	CHECKED BY	DATE		
			2 PLACES	± 0.25	± 0.005	JLAURX	2006/05/04		
			1 PLACE	± 0.25	± 0.005	APPROVED BY	DATE		
			0 PLACE	± 0.25	± 0.005	CBIXLER	2006/05/05		
			ANGULAR ± 0.5°			MATERIAL NO.			
			DRAFT WHERE APPLICABLE MUST REMAIN WITHIN DIMENSIONS			SEE CHART			

7 6 0 1 1 - \* \* \* \*

MODULE TYPE - TAIL PLATING TYPE

- GUIDE RIGHT - MATTE TIN (FORMERLY TIN/LEAD) = 4
- GUIDE RIGHT - MATTE TIN = 5
- GUIDE RIGHT, END WALL - MATTE TIN (FORMERLY TIN/LEAD) = 8
- GUIDE RIGHT, END WALL - MATTE TIN = 9

# OF COLUMNS

- 4 = 4 COL
- 6 = 6 COL
- 1 = 10 COL

ORIENTATION  
GUIDE POST

- 2 = COPLANAR
- 3 = INVERTED

PIN LENGTH/PLATING

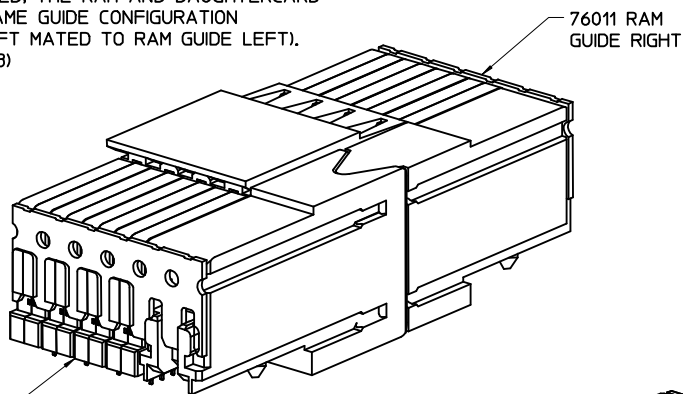
- 3 = 4.70 30 GOLD
- 5 = 4 X 3.80, 3 X 4.70 STAGGERED 30 GOLD
- 6 = 2 X 3.80, 5 X 4.70 STAGGERED 30 GOLD

- 7 = 4.70 10 GOLD (MAPS)
- 8 = 4 X 3.80, 3 X 4.70 STAGGERED 10 GOLD (MAPS)
- 9 = 2 X 3.80, 5 X 4.70 STAGGERED 10 GOLD (MAPS)

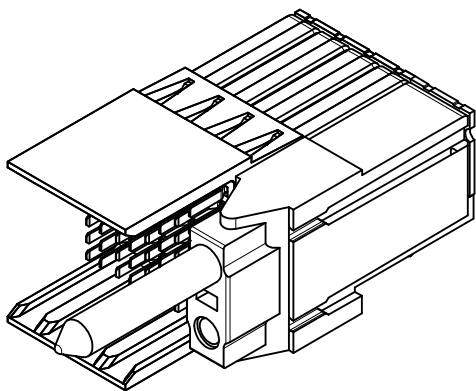
- 1 = 4.70 50 GOLD
- 2 = 4 X 3.80, 3 X 4.70 STAGGERED 50 GOLD
- 4 = 2 X 3.80, 5 X 4.70 STAGGERED 50 GOLD

NOTE:

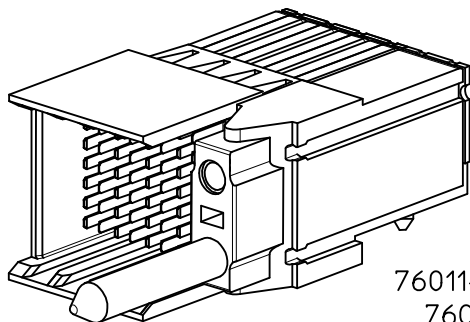
WHEN MATING RIGHT ANGLE MALE (RAM)  
TO A DAUGHTERCARD IN A COPLANAR APPLICATION,  
THE GUIDE CONFIGURATION IS OPPOSING  
(DC GUIDE LEFT MATED TO RAM GUIDE RIGHT).  
WHEN INVERTED, THE RAM AND DAUGHTERCARD  
HAVE THE SAME GUIDE CONFIGURATION  
(DC GUIDE LEFT MATED TO RAM GUIDE LEFT).  
(SEE SHEET 3)



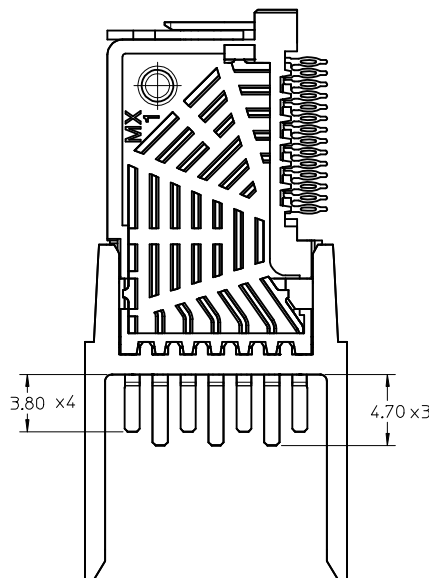
76020 DC  
GUIDE LEFT



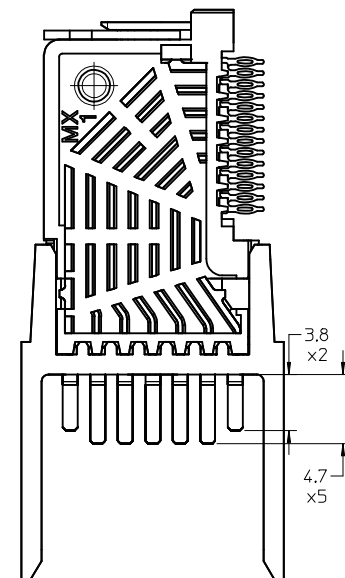
76011-4\*2\* or  
76011-5\*2\*  
GUIDE RIGHT, COPLANAR



76011-8\*3\* or  
76011-9\*3\*  
GUIDE RIGHT, END WALL,  
INVERTED



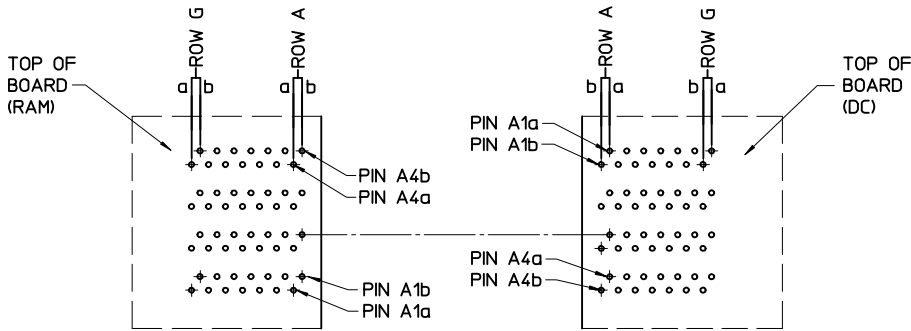
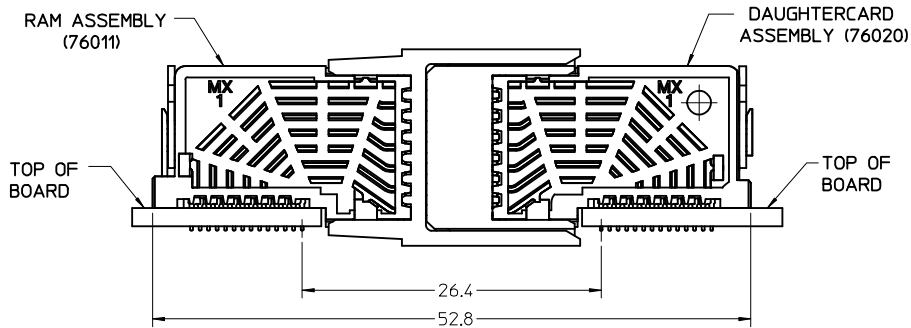
STAGGERED PIN OPTION  
(76011-\*\*\*5)  
(76011-\*\*\*8)



STAGGERED PIN OPTION  
(76011-\*\*\*6)  
(76011-\*\*\*9)

SEE SHEET 1 EC NO: UCP2014-3112 DRW: MWOLFE 2014/01/29 CHKD: SYANG 2014/01/29 APPR: SMILLER 2014/02/11	QUALITY SYMBOLS	GENERAL TOLERANCES (UNLESS SPECIFIED)	DIMENSION STYLE	SCALE	DESIGN UNITS	THIRD ANGLE PROJECTION
	▽=0	mm INCH	MM ONLY	3:1	METRIC	
	▽=0	4 PLACES ± --- ± ---	DRAWN BY DATE			
	▽=0	3 PLACES ± --- ± ---	ELO 2006/05/03			
	2 PLACES ± 0.13 ± ---	CHECKED BY DATE				I-TRAC 7-ROW RIGHT ANGLE MALE GUIDE RIGHT ASSEMBLY <b>molex</b>
	1 PLACE ± 0.25 ± ---	JLAURX 2006/05/04				
	0 PLACE ± ±	APPROVED BY DATE				DOCUMENT NO. SD-76011-003
	ANGULAR ± --- °	CBIXLER 2006/05/05				
		DRAFT WHERE APPLICABLE MUST REMAIN WITHIN DIMENSIONS	SEE CHART			SHEET NO. 2 OF 3
			THIS DRAWING CONTAINS INFORMATION THAT IS PROPRIETARY TO MOLEX INCORPORATED AND SHOULD NOT BE USED WITHOUT WRITTEN PERMISSION			

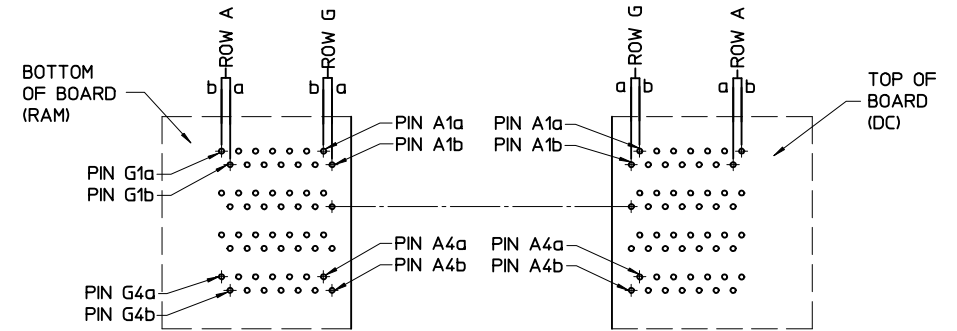
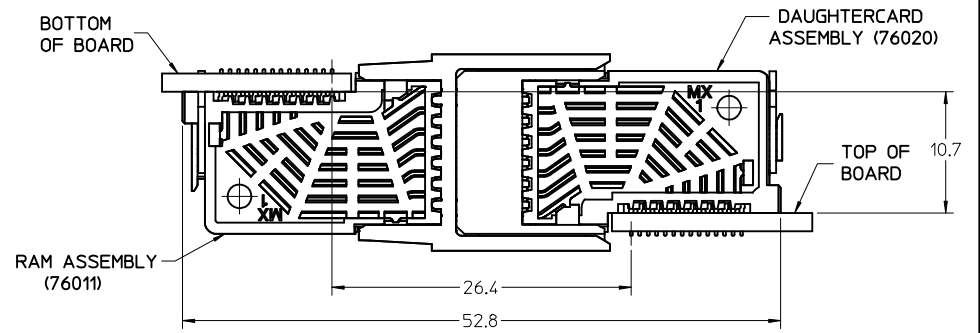
# COPLANAR APPLICATION



**COPLANAR MATED SIGNAL PATHS**

RAM PIN A4b.....	DC PIN A1a
RAM PIN A4a.....	DC PIN A1b
RAM PIN A1b.....	DC PIN A4a
RAM PIN A1a.....	DC PIN A4b

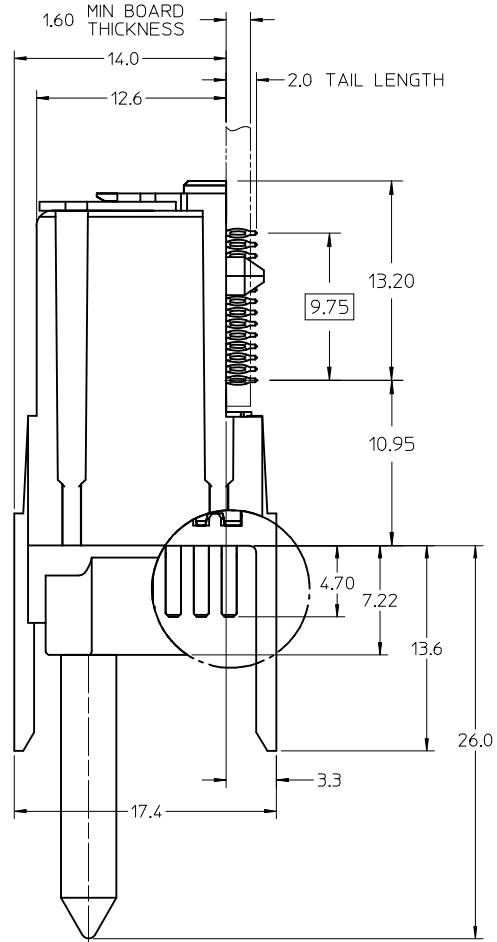
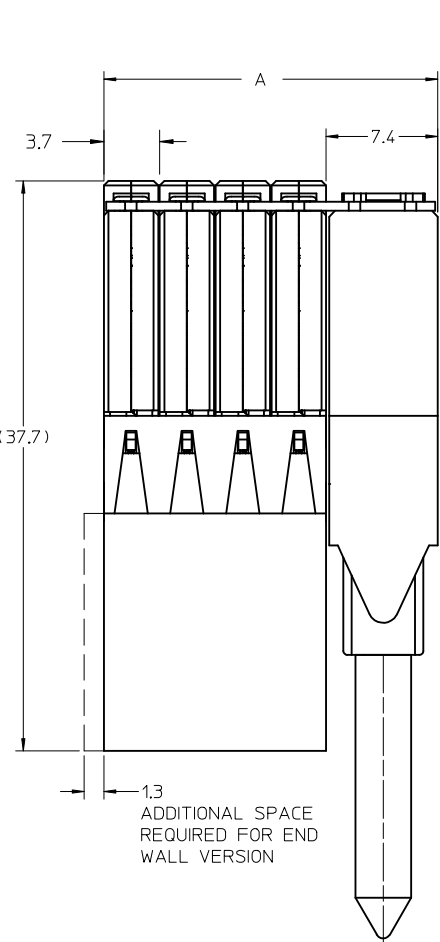
# INVERTED APPLICATION



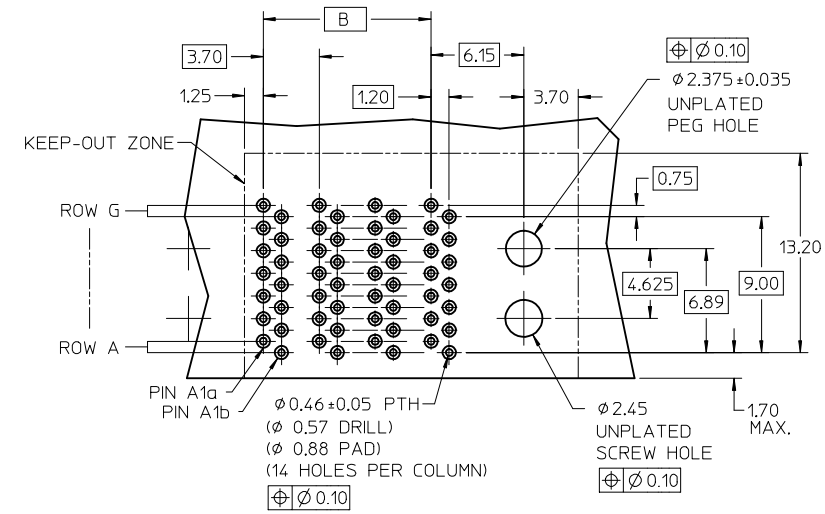
**INVERTED MATED SIGNAL PATHS**

RAM PIN G1a.....	DC PIN A1a
RAM PIN G1b.....	DC PIN A1b
RAM PIN G4a.....	DC PIN A4a
RAM PIN G4b.....	DC PIN A4b

<b>SEE SHEET 1</b> EC NO: UCP2014-3112 2014/01/29 IDRW:HWOLFE 2014/01/29 CHKD:SYANG 2014/02/11 APPR:SMILLER 2014/02/11	QUALITY SYMBOLS 	GENERAL TOLERANCES (UNLESS SPECIFIED) <table border="1"> <thead> <tr> <th></th> <th>mm</th> <th>INCH</th> </tr> </thead> <tbody> <tr> <td>4 PLACES</td> <td>± 0.25</td> <td>± 0.010</td> </tr> <tr> <td>3 PLACES</td> <td>± 0.25</td> <td>± 0.010</td> </tr> <tr> <td>2 PLACES</td> <td>± 0.13</td> <td>± 0.005</td> </tr> <tr> <td>1 PLACE</td> <td>± 0.25</td> <td>± 0.010</td> </tr> <tr> <td>0 PLACE</td> <td>±</td> <td>±</td> </tr> </tbody> </table>		mm	INCH	4 PLACES	± 0.25	± 0.010	3 PLACES	± 0.25	± 0.010	2 PLACES	± 0.13	± 0.005	1 PLACE	± 0.25	± 0.010	0 PLACE	±	±	DIMENSION STYLE <b>MM ONLY</b> DRAWN BY DATE ELO 2006/05/03 CHECKED BY DATE JLAURX 2006/05/04 APPROVED BY DATE CBIXLER 2006/05/05	SCALE <b>2:1</b> DESIGN UNITS <b>METRIC</b> THIRD ANGLE PROJECTION	TITLE <b>I-TRAC 7-ROW                  RIGHT ANGLE MALE                  GUIDE RIGHT ASSEMBLY</b> <b>molex</b>
		mm	INCH																				
	4 PLACES	± 0.25	± 0.010																				
	3 PLACES	± 0.25	± 0.010																				
2 PLACES	± 0.13	± 0.005																					
1 PLACE	± 0.25	± 0.010																					
0 PLACE	±	±																					
MATERIAL NO. <b>SEE CHART</b>	DOCUMENT NO. <b>SD-76011-003</b>	SHEET NO. <b>3 OF 3</b>	THIS DRAWING CONTAINS INFORMATION THAT IS PROPRIETARY TO MOLEX. INCORPORATED AND SHOULD NOT BE USED WITHOUT WRITTEN PERMISSION																				
DRAFT WHERE APPLICABLE MUST REMAIN WITHIN DIMENSIONS		DRAFT WHERE APPLICABLE MUST REMAIN WITHIN DIMENSIONS																					



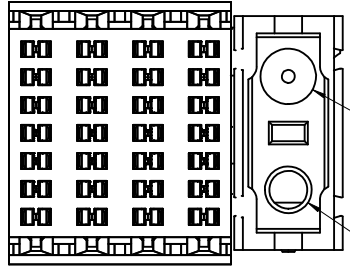
PART NUMBER	# OF COLUMNS	DIM "A" MAX	DIM "B"
76011 - *4**	4	22.06	11.10
76011 - *6**	6	29.60	18.50
76011 - *1**	10	44.40	33.30



RAM HOLE PATTERN  
(CONNECTOR SIDE)

- NOTES:
- MATERIALS: HOUSING - LIQUID CRYSTAL POLYMER (LCP), BLACK, UL 94V-0  
TERMINALS - HIGH PERFORMANCE COPPER ALLOY
  - FINISH: SELECTIVE GOLD (Au) IN CONTACT AREA,  
SELECTIVE MATTE TIN (Sn) IN TAIL AREA,  
NICKEL (Ni) UNDERPLATE OVERALL.
  - MOLEX PRODUCT SPECIFICATION: PS-75710-999.
  - OPTIONAL GUIDE PIN SHOWN IN COPLANAR LOCATION.
  - THIS PART CONFORMS TO CLASS B REQUIREMENTS OF  
COSMETIC SPEC PS-45499-002.
  - PACKAGED PER PK-70873-588.
  - MAPS (MOLEX ADVANCED PLATING SYSTEM).

STANDARD PIN OPTION  
(76011-\*\*\*3)  
(76011-\*\*\*7)



LOCATION OF GUIDE PIN  
FOR STANDARD COPLANAR

LOCATION OF GUIDE PIN  
FOR INVERTED APPLICATION

ADD 50 GOLD EC NO: UCP2014-3112 DRW: MWOLFE 2014/01/29 CHKD: SYANG 2014/01/29 APPR: SWILLER 2014/02/11	QUALITY SYMBOLS	GENERAL TOLERANCES (UNLESS SPECIFIED)	DIMENSION STYLE	SCALE	DESIGN UNITS	THIRD ANGLE PROJECTION
	▽=0	mm INCH	MM ONLY	4:1	METRIC	
	▽=0	4 PLACES ± --- ± ---	DRAWN BY DATE	TITLE		
	▽=0	3 PLACES ± --- ± ---	ELO 2006/05/03	I-TRAC 7-ROW RIGHT ANGLE MALE GUIDE RIGHT ASSEMBLY		
		2 PLACES ± 0.13 ± ---	CHECKED BY DATE			
		1 PLACE ± 0.25 ± ---	JLAURX 2006/05/04			
		0 PLACE ± ±	APPROVED BY DATE			
		ANGULAR ± --- °	CBIXLER 2006/05/05			
		DRAFT WHERE APPLICABLE MUST REMAIN WITHIN DIMENSIONS	MATERIAL NO.	DOCUMENT NO.		
			SEE CHART	SD-76011-003		
			SIZE C			
			THIS DRAWING CONTAINS INFORMATION THAT IS PROPRIETARY TO MOLEX INCORPORATED AND SHOULD NOT BE USED WITHOUT WRITTEN PERMISSION			

7 6 0 1 1 - \* \* \* \*

MODULE TYPE - TAIL PLATING TYPE

- GUIDE RIGHT - MATTE TIN (FORMERLY TIN/LEAD) = 4
- GUIDE RIGHT - MATTE TIN = 5
- GUIDE RIGHT, END WALL - MATTE TIN (FORMERLY TIN/LEAD) = 8
- GUIDE RIGHT, END WALL - MATTE TIN = 9

# OF COLUMNS

- 4 = 4 COL
- 6 = 6 COL
- 1 = 10 COL

ORIENTATION  
GUIDE POST

- 2 = COPLANAR
- 3 = INVERTED

PIN LENGTH/PLATING

- 3 = 4.70 30 GOLD
- 5 = 4 X 3.80, 3 X 4.70 STAGGERED 30 GOLD
- 6 = 2 X 3.80, 5 X 4.70 STAGGERED 30 GOLD

7 = 4.70 10 GOLD (MAPS)

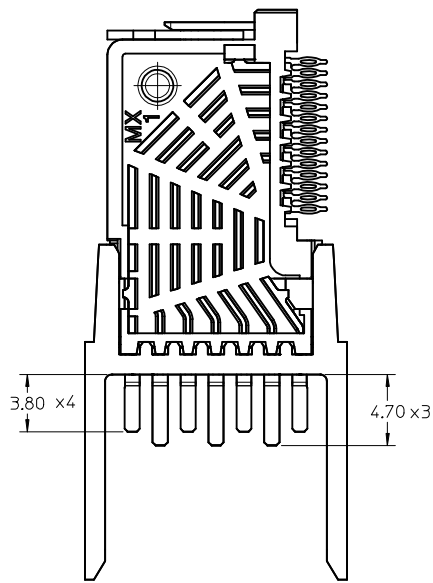
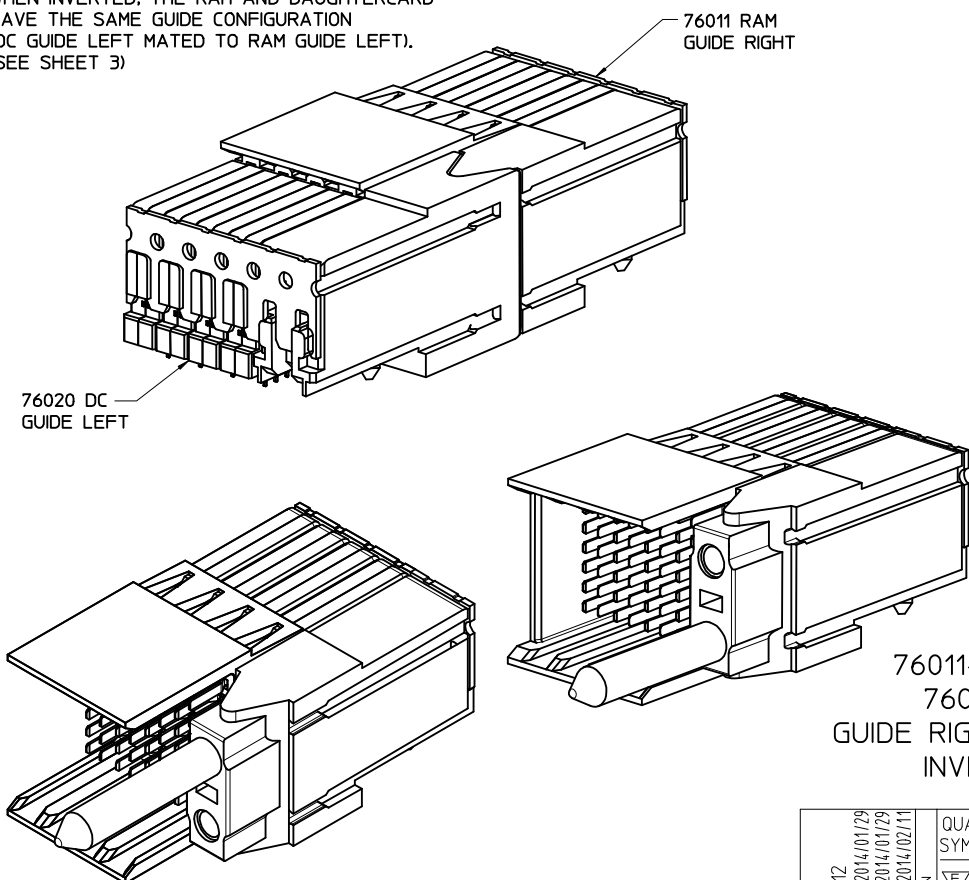
- 8 = 4 X 3.80, 3 X 4.70 STAGGERED 10 GOLD (MAPS)
- 9 = 2 X 3.80, 5 X 4.70 STAGGERED 10 GOLD (MAPS)

1 = 4.70 50 GOLD

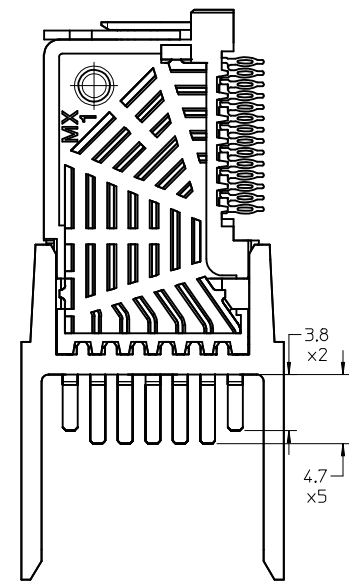
- 2 = 4 X 3.80, 3 X 4.70 STAGGERED 50 GOLD
- 4 = 2 X 3.80, 5 X 4.70 STAGGERED 50 GOLD

NOTE:

WHEN MATING RIGHT ANGLE MALE (RAM)  
TO A DAUGHTERCARD IN A COPLANAR APPLICATION,  
THE GUIDE CONFIGURATION IS OPPOSING  
(DC GUIDE LEFT MATED TO RAM GUIDE RIGHT).  
WHEN INVERTED, THE RAM AND DAUGHTERCARD  
HAVE THE SAME GUIDE CONFIGURATION  
(DC GUIDE LEFT MATED TO RAM GUIDE LEFT).  
(SEE SHEET 3)



STAGGERED PIN OPTION  
(76011-\*\*\*5)  
(76011-\*\*\*8)



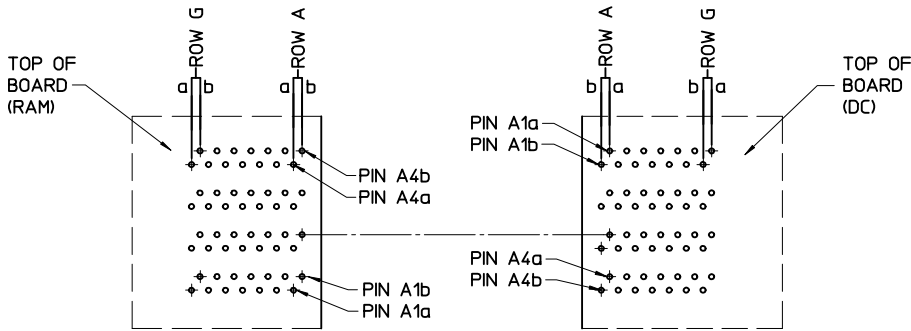
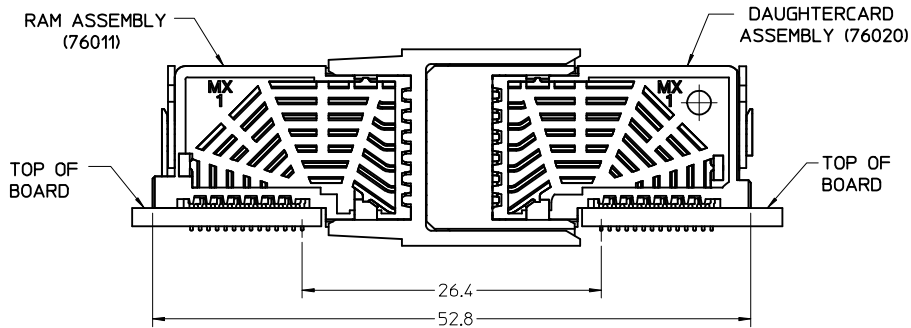
STAGGERED PIN OPTION  
(76011-\*\*\*6)  
(76011-\*\*\*9)

76011-4\*2\* or  
76011-5\*2\*  
GUIDE RIGHT, COPLANAR

76011-8\*3\* or  
76011-9\*3\*  
GUIDE RIGHT, END WALL,  
INVERTED

SEE SHEET 1 EC NO: UCP2014-3112 DRW: MWOLFE 2014/01/29 CHKD: SYANG 2014/01/29 APPR: SMILLER 2014/02/11	QUALITY SYMBOLS	GENERAL TOLERANCES (UNLESS SPECIFIED)	DIMENSION STYLE	SCALE	DESIGN UNITS	THIRD ANGLE PROJECTION	
	▽=0	mm INCH	MM ONLY	3:1	METRIC		
	▽=0	4 PLACES ± --- ± ---	DRAWN BY DATE				
	▽=0	3 PLACES ± --- ± ---	ELO 2006/05/03				
	2 PLACES ± 0.13 ± ---	CHECKED BY DATE	I-TRAC 7-ROW RIGHT ANGLE MALE GUIDE RIGHT ASSEMBLY <b>molex</b>				
	1 PLACE ± 0.25 ± ---	JLAURX 2006/05/04					
	0 PLACE ± ±	APPROVED BY DATE	DOCUMENT NO.	SD-76011-003 SHEET NO. 2 OF 3			
	ANGULAR ± --- °	CBIXLER 2006/05/05	SEE CHART				
		DRAFT WHERE APPLICABLE MUST REMAIN WITHIN DIMENSIONS	SIZE C	THIS DRAWING CONTAINS INFORMATION THAT IS PROPRIETARY TO MOLEX INCORPORATED AND SHOULD NOT BE USED WITHOUT WRITTEN PERMISSION			

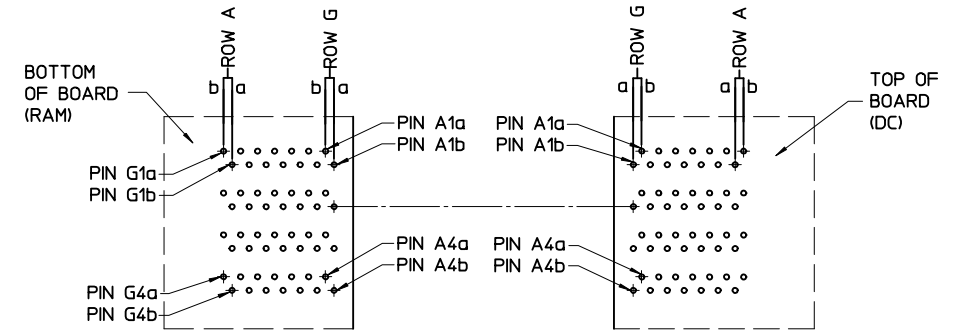
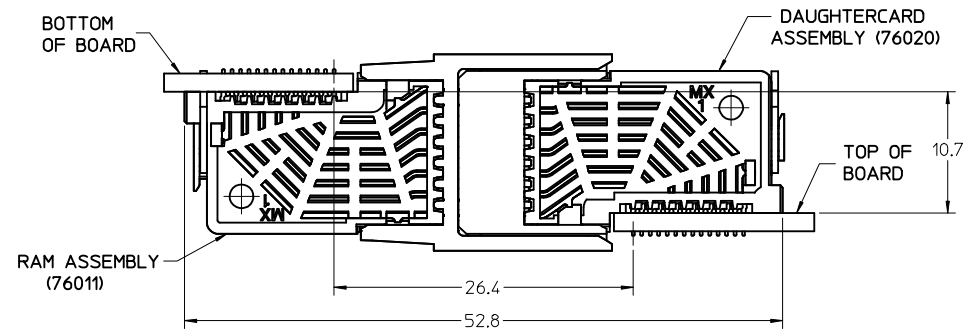
# COPLANAR APPLICATION



**COPLANAR MATED SIGNAL PATHS**

RAM PIN A4b.....	DC PIN A1a
RAM PIN A4a.....	DC PIN A1b
RAM PIN A1b.....	DC PIN A4a
RAM PIN A1a.....	DC PIN A4b

# INVERTED APPLICATION



**INVERTED MATED SIGNAL PATHS**

RAM PIN G1a.....	DC PIN A1a
RAM PIN G1b.....	DC PIN A1b
RAM PIN G4a.....	DC PIN A4a
RAM PIN G4b.....	DC PIN A4b

<b>SEE SHEET 1</b> EC NO: UCP2014-3112 DRWN: MWOLFE 2014/01/29 CHKD: SYANG 2014/01/29 APPR: SMILLER 2014/02/11	QUALITY SYMBOLS 	GENERAL TOLERANCES (UNLESS SPECIFIED) <table border="1"> <thead> <tr> <th></th> <th>mm</th> <th>INCH</th> </tr> </thead> <tbody> <tr> <td>4 PLACES</td> <td>± 0.25</td> <td>± 0.010</td> </tr> <tr> <td>3 PLACES</td> <td>± 0.25</td> <td>± 0.010</td> </tr> <tr> <td>2 PLACES</td> <td>± 0.13</td> <td>± 0.005</td> </tr> <tr> <td>1 PLACE</td> <td>± 0.25</td> <td>± 0.010</td> </tr> <tr> <td>0 PLACE</td> <td>±</td> <td>±</td> </tr> </tbody> </table>		mm	INCH	4 PLACES	± 0.25	± 0.010	3 PLACES	± 0.25	± 0.010	2 PLACES	± 0.13	± 0.005	1 PLACE	± 0.25	± 0.010	0 PLACE	±	±	DIMENSION STYLE <b>MM ONLY</b> DRAWN BY DATE ELO 2006/05/03 CHECKED BY DATE JLAURX 2006/05/04 APPROVED BY DATE CBIXLER 2006/05/05	SCALE <b>2:1</b> DESIGN UNITS <b>METRIC</b> THIRD ANGLE PROJECTION	TITLE <b>I-TRAC 7-ROW                  RIGHT ANGLE MALE                  GUIDE RIGHT ASSEMBLY</b> <b>molex</b>
		mm	INCH																				
	4 PLACES	± 0.25	± 0.010																				
	3 PLACES	± 0.25	± 0.010																				
2 PLACES	± 0.13	± 0.005																					
1 PLACE	± 0.25	± 0.010																					
0 PLACE	±	±																					
MATERIAL NO. <b>SEE CHART</b>	DOCUMENT NO. <b>SD-76011-003</b>	SHEET NO. <b>3 OF 3</b>	THIS DRAWING CONTAINS INFORMATION THAT IS PROPRIETARY TO MOLEX. INCORPORATED AND SHOULD NOT BE USED WITHOUT WRITTEN PERMISSION																				
DRAFT WHERE APPLICABLE MUST REMAIN WITHIN DIMENSIONS																							