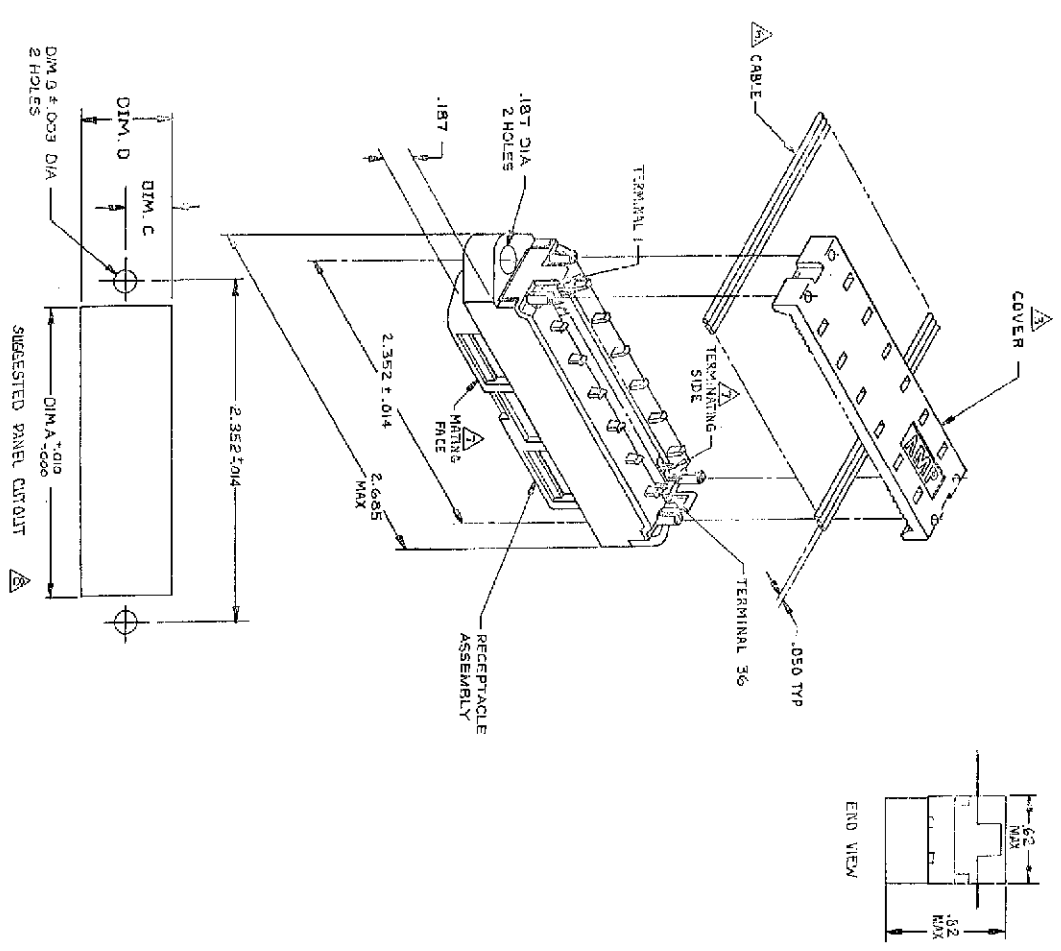


REV	DATE	DESCRIPTION	BY	CHKD
00				
01	12/28/83	REVISION		



1. THE CONTACT SURFACES OF THE TERMINALS ARE COATED WITH LUBRICANT.
2. MATERIAL:  
 HOUSING & COVER - THERMOPLASTIC, BLACK.  
 TERMINALS - PHOS BRONZE PLATED WITH EITHER .000030 MINIMUM GOLD PLATE OR GOLD FLASH OVER PALLADIUM NICKEL PLATE, .000030 MIN TOTAL ON MATING SURFACE. GOLD FLASH PLATED ON TERMINATING SIDE. .000050 MINIMUM NICKEL UNDERPLATE OVER ENTIRE TERMINAL.
3. COVER SHOWN LOOSE BUT SHIPPED ASSEMBLED.
4. WIRE RANGE: 26 AWG SOLID THRU 30 AWG SOLID AND 28 AWG STRANDED RIBBON CABLE.
5. ALL DIMENSIONS SHOWN ARE FOR REFERENCE ONLY UNLESS OTHERWISE SPECIFIED.
6. FLAT CABLE SHALL BE FURNISHED BY CUSTOMER.
7. MATING FACE CONSISTS OF TWO ROWS OF TERMINALS ON .085 CENTERS, TERMINATING SIDE CONSISTS OF TERMINALS ON .100 CENTERS FOR AN EFFECTIVE .050 TERMINATION.
8. PANEL THICKNESS RANGE:  
 FRONT PANEL MOUNTING - .125 MAX  
 REAR PANEL MOUNTING - .062 MAX
9. FOR MORE INFORMATION REFER TO AMP PRODUCT SPECIFICATION 108-8078 & APPLICATION SPEC 114-8030.

DIM	VALUE	DESCRIPTION
.620	.310	REAR PANEL MOUNTING
.840	.320	FRONT PANEL MOUNTING
DIM D	DIM B	DESCRIPTION
DIM C	DIM A	

THIS DRAWING IS A CONTROLLED DOCUMENT

DATE	REV	DESCRIPTION
12/28/83	00	

AS SHOWN 554089-1  
 DESCRIPTION PART NUMBER

DESIGNER	DATE	CHECKED	DATE
	12/28/83		

RECEPTACLE ASSEMBLY, 36 POSITION  
 PANEL MOUNTING, 1/4 PROFILE,  
 CHAIN LATCH

CUSTOMER DRAWING