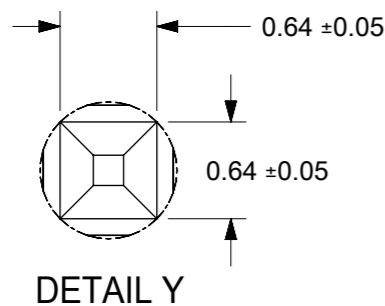
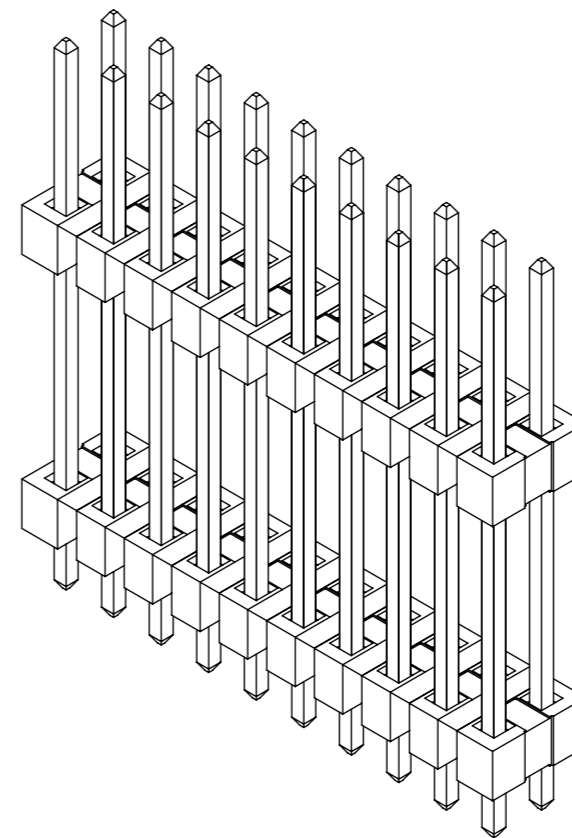
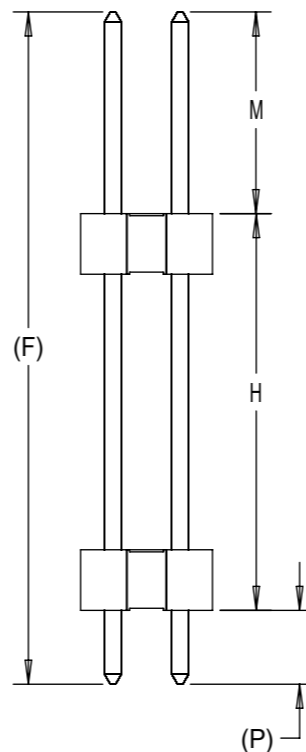
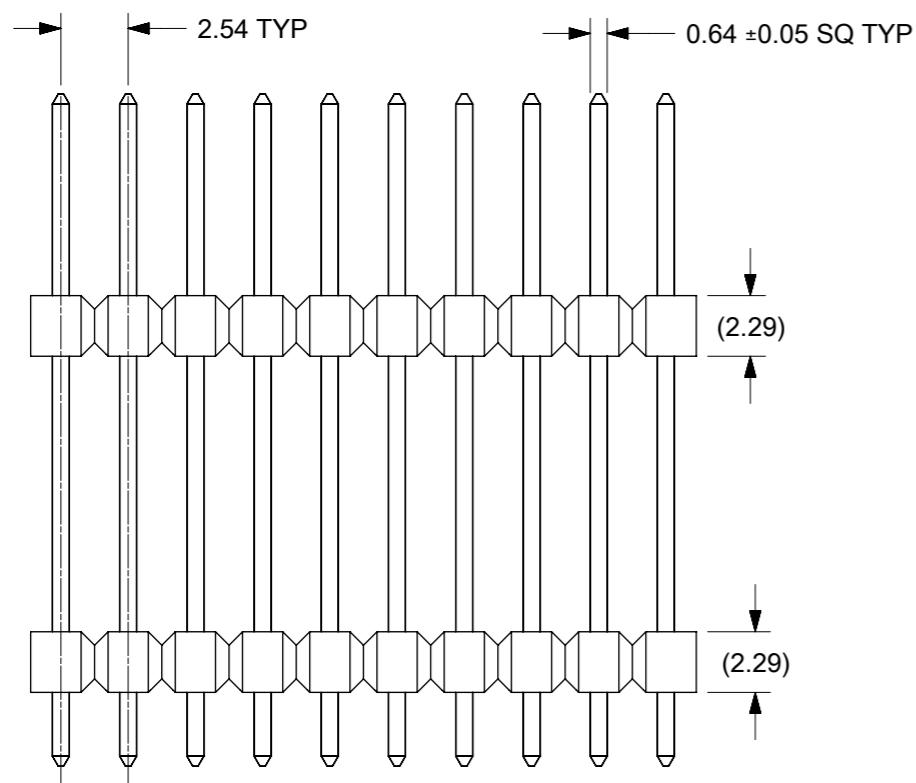


RECOMMENDED PCB LAYOUT: COMPONENT SIDE

- NOTES:
- MATERIAL:
HOUSING: LCP, GLASS FILLED, UL94V-0
COLOR: BLACK
PIN: COPPER ALLOY, SQ, 0.64MM
 - PLATING FINISH:
 - GOLD FLASH OVERALL OVER
1.25µm MIN. NICKEL OVERALL
 - 0.05µm MIN. GOLD IN CONTACT AREA AND
2.50µm MIN. TIN IN SOLDER AREA OVER
1.25µm MIN. NICKEL OVERALL
 - 0.38µm MIN. GOLD IN CONTACT AREA AND
2.50µm MIN. TIN IN SOLDER AREA OVER
1.25µm MIN. NICKEL OVERALL
 - 0.75µm MIN. GOLD IN CONTACT AREA AND
2.50µm MIN. TIN IN SOLDER AREA OVER
1.25µm MIN. NICKEL OVERALL
 - 2.50µm MIN. TIN OVERALL
1.25µm MIN. NICKEL OVERALL
 - FOR PACKING OPTION PLEASE REFER TO THE TABLE.
 - THE ABOVE 20CKTS SHOWN IS FOR ILLUSTRATION ONLY.
 - IRREGULAR CIRCUIT CUTOFF WITHIN BREAKAWAY SECTION IS PERMISSIBLE. CUTTING OR CHIPPING OF THE MAIN BODY IS NOT ACCEPTABLE
 - WAFER TO BE FLAT WITHIN 0.003mm/mm
 - PARTS ARE NOT STACKABLE ON 2.54 CENTERS
 - RECOMMENDED PCB THICKNESS 1.60±0.10mm
 - PRODUCT SPEC: PS-87920-019
 - PACKAGING SPECIFICATION:
TRAY: PK-89990-489
BULK: PK-89990-491
TUBE: PK-89990-300




| | | | | | | | | | |
|---|--|--------|--|------------------------|--|-------------------------------|--|-----------------|--|
| THIS DRAWING CONTAINS INFORMATION THAT IS PROPRIETARY TO MOLEX ELECTRONIC TECHNOLOGIES, LLC AND SHOULD NOT BE USED WITHOUT WRITTEN PERMISSION | | | | | | | | | |
| DIMENSION UNITS | | SCALE | | CURRENT REV DESC: | | | | molex | |
| mm | | NTS | | | | | | | |
| GENERAL TOLERANCES (UNLESS SPECIFIED) | | | | | | | | | |
| | | MM | | INCH | | | | | |
| 4 PLACES | | ± | | ± | | EC NO: 690873 | | | |
| 3 PLACES | | ± | | ± | | DRWN: DANUSA 2021/12/31 | | | |
| 2 PLACES | | ± 0.2 | | ± | | CHK'D: DANUSA 2022/01/05 | | | |
| 1 PLACE | | ± | | ± | | APPR: MRAMAKRISHNA 2022/01/05 | | | |
| 0 PLACES | | ± | | ± | | INITIAL REVISION: | | | |
| ANGULAR TOL | | ± 3.0° | | ± 3.0° | | DRWN: SKLIM01 2006/03/01 | | | |
| APPR: PATEY | | | | | | 2006/03/03 | | | |
| DRAFT WHERE APPLICABLE MUST REMAIN WITHIN DIMENSIONS | | | | THIRD ANGLE PROJECTION | | DRAWING | | SERIES | |
| | | | | A3-SIZE | | 87797 | | MATERIAL NUMBER | |
| | | | | SEE TABLE | | CUSTOMER | | SHEET NUMBER | |
| | | | | GENERAL MARKET | | 1 OF 3 | | DOCUMENT NUMBER | |
| | | | | SD-87797-171 | | PSD | | 000 C16 | |
| | | | | CUSTOMER | | GENERAL MARKET | | 1 OF 3 | |


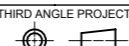
10 9 8 7 6 5 4 3 2 1

| CKT SIZE | DIMENSION | | PART NO FOR TUBE PACKAGING | PART NO FOR TRAY PACKAGING | PART NO FOR BULK PACKAGING | CKT SIZE | PEG OPTION | VOID POSITION | PLATING TYPE | DIMENSION | | | |
|----------|-----------|-------|----------------------------|----------------------------|----------------------------|----------|------------|---------------|--------------|-----------|------------|----------------|-------------|
| | A | B | | | | | | | | F | MATING END | STACKER HEIGHT | SOLDER TAIL |
| 04 | 5.08 | 2.54 | - | 87797-0401 | - | 4 | NO | - | 5 | 18.56 | 3.78 | 11.00 | 3.78 |
| 06 | 7.62 | 5.08 | - | 87797-0402 | - | 4 | NO | - | 5 | 18.56 | 3.78 | 11.00 | 3.78 |
| 08 | 10.16 | 7.62 | - | 87797-0600 | - | 6 | NO | - | 4 | 26.80 | 4.00 | 20.00 | 2.80 |
| 10 | 12.70 | 10.16 | - | 87797-0601 | - | 6 | NO | - | 5 | 11.00 | 3.00 | 5.00 | 3.00 |
| 12 | 15.24 | 12.70 | - | 87797-0602 | - | 6 | NO | - | 4 | 33.60 | 5.00 | 25.60 | 3.00 |
| 14 | 17.78 | 15.24 | - | 87797-0603 | - | 6 | NO | - | 5 | 33.60 | 5.00 | 25.60 | 3.00 |
| 16 | 20.32 | 17.78 | - | 87797-0604 | - | 6 | NO | - | 4 | 35.70 | 7.90 | 25.00 | 2.80 |
| 18 | 22.86 | 20.32 | - | 87797-0605 | - | 6 | NO | - | 2 | 22.50 | 6.00 | 13.00 | 3.50 |
| 20 | 25.40 | 22.86 | - | 87797-0607 | - | 6 | NO | - | 3 | 27.80 | 10.70 | 13.80 | 3.30 |
| 22 | 27.94 | 25.40 | - | 87797-0608 | - | 6 | NO | - | 2 | 27.80 | 10.70 | 13.80 | 3.30 |
| 24 | 30.48 | 27.94 | 87797-0610 | - | - | 6 | NO | - | 5 | 41.00 | 20.00 | 14.00 | 7.00 |
| 26 | 33.02 | 30.48 | - | 87797-0611 | - | 6 | NO | - | 5 | 45.00 | 5.25 | 34.50 | 5.25 |
| 28 | 35.56 | 33.02 | - | 87797-0800 | - | 8 | NO | - | 5 | 18.54 | 3.05 | 12.70 | 2.79 |
| 30 | 38.10 | 35.56 | - | - | 87797-0801 | 8 | NO | - | 3 | 19.30 | 7.20 | 9.30 | 2.80 |
| 32 | 40.64 | 38.10 | - | 87797-0805 | - | 8 | NO | - | 5 | 25.31 | 6.61 | 15.65 | 3.05 |
| 34 | 43.18 | 40.64 | - | 87797-1001 | - | 10 | NO | - | 5 | 32.14 | 10.80 | 19.05 | 2.29 |
| 36 | 45.72 | 43.18 | - | 87797-1002 | - | 10 | NO | - | 2 | 18.54 | 8.13 | 7.62 | 2.79 |
| 38 | 48.26 | 45.72 | - | 87797-1013 | - | 10 | NO | - | 5 | 19.50 | 6.80 | 7.50 | 5.20 |
| 40 | 50.80 | 48.26 | - | 87797-1015 | - | 10 | NO | - | 5 | 18.20 | 6.70 | 7.50 | 4.00 |
| 42 | 53.34 | 50.80 | - | 87797-1023 | - | 10 | NO | - | 5 | 35.70 | 6.00 | 27.00 | 2.70 |
| 44 | 55.88 | 53.34 | - | 87797-1200 | - | 12 | NO | - | 4 | 19.30 | 9.04 | 8.00 | 2.26 |
| 46 | 58.42 | 55.88 | - | 87797-1206 | - | 12 | NO | - | 2 | 16.00 | 5.84 | 7.62 | 2.54 |
| 48 | 60.96 | 58.42 | - | 87797-1209 | - | 12 | NO | - | 3 | 15.75 | 7.80 | 4.75 | 3.20 |
| 50 | 63.50 | 60.96 | - | 87797-1213 | - | 12 | NO | - | 5 | 23.00 | 11.70 | 8.00 | 3.30 |
| 52 | 66.04 | 63.50 | - | 87797-1217 | - | 12 | NO | - | 3 | 23.62 | 8.12 | 12.70 | 2.80 |
| 54 | 68.58 | 66.04 | - | 87797-1400 | - | 14 | NO | - | 4 | 20.96 | 9.91 | 8.00 | 3.05 |
| 56 | 71.12 | 68.58 | - | 87797-1401 | - | 14 | NO | - | 5 | 13.00 | 4.00 | 5.00 | 4.00 |
| 58 | 73.66 | 71.12 | - | 87797-0032 | - | 14 | NO | - | 5 | 40.00 | 3.00 | 34.00 | 3.00 |
| 60 | 76.20 | 73.66 | - | 87797-1600 | - | 16 | NO | - | 3 | 22.70 | 6.60 | 13.10 | 3.00 |
| 62 | 78.74 | 76.20 | - | 87797-1603 | - | 16 | NO | - | 5 | 28.00 | 7.00 | 18.00 | 3.00 |
| 64 | 81.28 | 78.74 | - | 87797-1800 | - | 18 | NO | 11 & 12 | 1 | 28.00 | 12.21 | 9.35 | 6.44 |
| 66 | 83.82 | 81.28 | - | 87797-0020 | - | 20 | NO | - | 5 | 21.30 | 3.10 | 15.10 | 3.10 |
| 68 | 86.36 | 83.82 | - | 87797-0200 | - | 20 | NO | - | 3 | 36.32 | 5.18 | 25.98 | 5.16 |
| 70 | 88.90 | 86.36 | - | 87797-0201 | - | 20 | NO | - | 5 | 20.68 | 2.79 | 15.10 | 2.79 |
| 72 | 91.44 | 88.90 | - | 87797-2000 | - | 20 | NO | - | 4 | 31.00 | 8.50 | 14.00 | 8.50 |
| 74 | 93.98 | 91.44 | - | 87797-2002 | - | 20 | NO | - | 4 | 33.60 | 5.00 | 25.60 | 3.00 |
| 76 | 96.52 | 93.98 | - | 87797-2003 | - | 20 | NO | - | 5 | 33.60 | 5.00 | 25.60 | 3.00 |
| 78 | 99.06 | 96.52 | - | 87797-2004 | - | 20 | NO | - | 4 | 33.40 | 5.00 | 25.60 | 2.80 |
| 80 | 101.60 | 99.06 | - | 87797-2010 | - | 20 | NO | - | 1 | 28.00 | 12.21 | 9.35 | 6.44 |
| | | | - | 87797-2035 | - | 20 | NO | - | 5 | 31.37 | 8.00 | 19.94 | 3.43 |
| | | | - | 87797-2009 | - | 20 | NO | - | 5 | 44.13 | 6.33 | 35.26 | 2.54 |
| | | | 87797-2200 | - | - | 22 | NO | - | 3 | 21.10 | 7.40 | 10.70 | 3.00 |
| | | | 87797-2400 | 87797-2401 | - | 24 | NO | - | 5 | 14.35 | 3.35 | 7.65 | 3.35 |
| | | | - | 87797-2404 | - | 24 | NO | - | 5 | 25.31 | 6.61 | 15.65 | 3.05 |

THIS DRAWING CONTAINS INFORMATION THAT IS PROPRIETARY TO MOLEX ELECTRONIC TECHNOLOGIES, LLC AND SHOULD NOT BE USED WITHOUT WRITTEN PERMISSION

| | | | | | | | |
|--|-----|------------------------|------|---|--|--|--|
| DIMENSION UNITS | | SCALE | | CURRENT REV DESC: | | | |
| mm | NTS | | |  <p>CUSTOM HEADER 2.54MM PITCH DUAL ROW HEADER, THRU HOLE, VERT</p> <p>PRODUCT CUSTOMER DRAWING</p> <p>DOCUMENT NUMBER: SD-87797-171 DOC TYPE: PSD DOC PART: 000 REVISION: C16</p> | | | |
| GENERAL TOLERANCES (UNLESS SPECIFIED) | | MM | INCH | | | | |
| 4 PLACES | ± | | ± | | | | |
| 3 PLACES | ± | | ± | | | | |
| 2 PLACES | ± | 0.2 | ± | | | | |
| 1 PLACE | ± | | ± | EC NO: 690873 | | | |
| 0 PLACES | ± | | ± | DRWN: DANUSA 2021/12/31 | | | |
| ANGULAR TOL ± 3.0° | | | | CHK'D: DANUSA 2022/01/05 | | | |
| DRAFT WHERE APPLICABLE MUST REMAIN WITHIN DIMENSIONS | | THIRD ANGLE PROJECTION | | APPR: MRAMAKRISHNA 2022/01/05 | | | |
| | | DRAWING | | INITIAL REVISION: | | | |
| | | SERIES | | DRWN: SKLIM01 2006/03/01 | | | |
| | | MATERIAL NUMBER | | APPR: PATEY 2006/03/03 | | | |
| | | CUSTOMER | | | | | |
| | | SHEET NUMBER | | 2 OF 3 | | | |

| PART NO FOR TUBE PACKAGING | PART NO FOR TRAY PACKAGING | PART NO FOR BULK PACKAGING | CKT SIZE | PEG OPTION | VOID POSITION | PLATING TYPE | DIMENSION | | | |
|----------------------------|----------------------------|----------------------------|----------|------------|---------------|--------------|-----------|------------|----------------|-------------|
| | | | | | | | F | MATING END | STACKER HEIGHT | SOLDER TAIL |
| | | | | | | | | M | H | P |
| - | 87797-2600 | - | 26 | NO | - | 3 | 19.30 | 7.25 | 9.00 | 3.05 |
| - | 87797-0044 | - | 26 | NO | - | 2 | 28.74 | 15.86 | 10.08 | 2.80 |
| - | 87797-2801 | - | 28 | NO | - | 5 | 22.80 | 7.40 | 12.10 | 3.30 |
| - | 87797-2802 | - | 28 | NO | - | 5 | 34.40 | 7.40 | 23.70 | 3.30 |
| - | 87797-3024 | - | 30 | NO | - | 4 | 23.62 | 9.40 | 11.43 | 2.79 |
| 87797-3200 | - | - | 32 | NO | - | 3 | 23.46 | 7.00 | 13.50 | 2.96 |
| - | 87797-0045 | - | 34 | NO | - | 2 | 28.74 | 15.86 | 10.08 | 2.80 |
| - | 87797-0400 | - | 40 | NO | - | 3 | 25.40 | 9.91 | 12.70 | 2.79 |
| - | - | 87797-0500 | 50 | NO | - | 3 | 18.55 | 6.48 | 9.40 | 2.67 |
| - | 87797-5800 | - | 58 | NO | - | 5 | 18.00 | 3.00 | 12.00 | 3.00 |
| - | 87797-6000 | - | 60 | NO | - | 3 | 18.05 | 7.00 | 8.00 | 3.05 |
| 87797-6001 | - | - | 60 | NO | - | 3 | 23.46 | 7.00 | 13.50 | 2.96 |
| - | - | 87797-6400 | 64 | NO | - | 3 | 23.62 | 5.59 | 15.24 | 2.79 |
| - | 87797-7213 | - | 72 | NO | - | 3 | 14.35 | 6.22 | 5.08 | 3.05 |
| - | 87797-8025 | - | 80 | NO | - | 5 | 22.73 | 8.10 | 11.43 | 3.20 |

| | | | | | | | | | | | | | | | | | | | | | |
|---|--|--------|--|---|--|---------|--|---|--|--------------|--|--|--|--|--|-----------------|--|-----------------|--|-----------------|--|
| THIS DRAWING CONTAINS INFORMATION THAT IS PROPRIETARY TO MOLEX ELECTRONIC TECHNOLOGIES, LLC AND SHOULD NOT BE USED WITHOUT WRITTEN PERMISSION | | | | | | | | | | | | | | | | | | | | | |
| DIMENSION UNITS | | SCALE | | CURRENT REV DESC: | | | |  | | | | | | | | | | | | | |
| mm | | NTS | | | | | | | | | | | | | | | | | | | |
| GENERAL TOLERANCES (UNLESS SPECIFIED) | | | | EC NO: 690873 DRWN: DANUSA CHK'D: DANUSA APPR: MRAMAKRISHNA INITIAL REVISION: DRWN: SKLIM01 APPR: PATEY | | | | | | | | CUSTOM HEADER 2.54MM PITCH DUAL ROW HEADER, THRU HOLE, VERT | | | | | | | | | |
| | | | | | | | | | | | | | | | | | | | | | |
| 4 PLACES | | ± | | | | | | 2021/12/31 2022/01/05 2022/01/05 2006/03/01 2006/03/03 | | | | PRODUCT CUSTOMER DRAWING | | | | | | | | | |
| 3 PLACES | | ± | | | | | | | | | | | | | | | | | | | |
| 2 PLACES | | ± 0.2 | | | | | | | | | | DOCUMENT NUMBER SD-87797-171 | | | | DOC TYPE PSD | | DOC PART 000 | | REVISION C16 | |
| 1 PLACE | | ± | | | | | | | | | | | | | | | | | | | |
| 0 PLACES | | ± | | MATERIAL NUMBER SEE TABLE | | | | CUSTOMER GENERAL MARKET | | | | | | | | | | | | | |
| ANGULAR TOL | | ± 3.0° | | | | | | | | | | | | | | | | | | | |
| DRAFT WHERE APPLICABLE MUST REMAIN WITHIN DIMENSIONS | | | | THIRD ANGLE PROJECTION | | DRAWING | | SERIES | | SHEET NUMBER | | | | | | | | | | | |
| | | | |  | | A3-SIZE | | 87797 | | 3 OF 3 | | | | | | | | | | | |