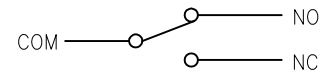
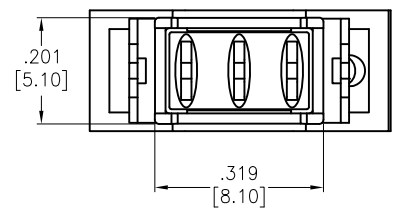
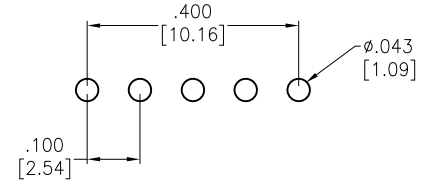
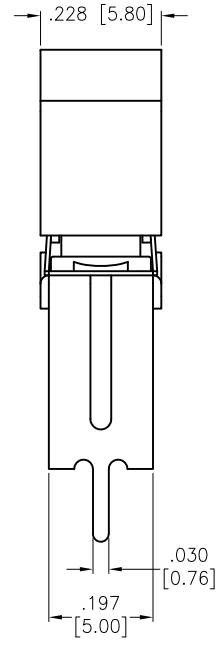
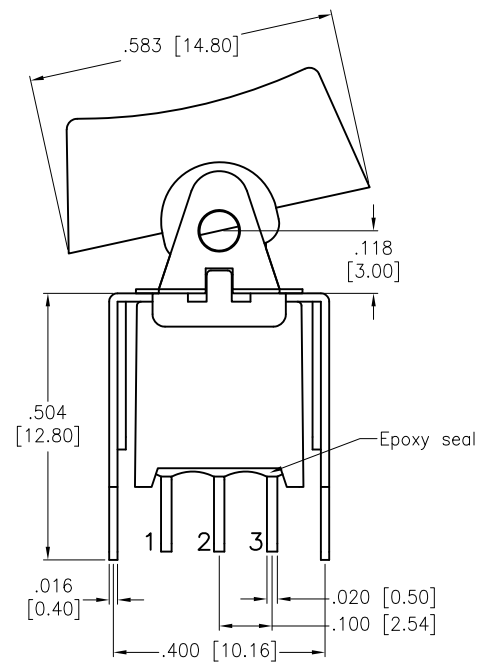


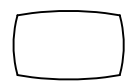
Rev	AWO #	Description	Date	Appr
-		RELEASED	12/22/20	
A		UPDATE TITLE	6/25/21	WX/RC

APPROVED: \_\_\_\_\_  
 DATE: \_\_\_\_\_ TITLE: \_\_\_\_\_



SWITCH MARKINGS

CIRCUIT DIAGRAM  
 (SPDT) ON-ON



**SPECIFICATIONS:**

Material:  
 Movable contact: Copper Alloy, Gold over Nickel Plated  
 Terminals: Copper Alloy, Gold over Nickel Plated  
 Cap Actuator: Plastic, color Black  
 Electrical:  
 Rating: 0.4 VA max @ 20V max (AC or DC)  
 Contact resistance: 20 mohms max initial  
 Insulation resistance: 1,000 Mohms min  
 Dielectric withstanding voltage: 1,500V RMS @ sea level  
 Electrical life: 30,000 make and break cycles at full load  
 Temperature Rating:  
 Operating temperature: -30°C to +85°C  
 Environmental:  
 IP Class: IP67  
 Lead free, RoHS compliant



UNLESS OTHERWISE SPECIFIED  
 ALL DIMENSIONS ARE INCHES [MM]  
 TOLERANCES: EXCEPT AS NOTED

INCHES		HOLES	
.X	± .10	Ø.X	± .10
.XX	± .020	Ø.XX	± .015
.XXX	± .015	Ø.XXX	± .010

APPROVALS		DATE
DRAWN	LH	12/22/20
CHECKED	AC	12/22/20
APPROVED		

**ADAM TECH** 909 Rahway Avenue,  
 Union, NJ 07083  
 Phone: 908-687-5000  
 Fax: 908-687-5710

TITLE: SUB-MINIATURE ROCKER SWITCH, SPDT, ON-ON,  
 PCB VERTICAL MOUNTING TYPE, SMALL BLACK ROCKER

SIZE	PART NO.	REV.
X	SW-R3-2B-B-SB5-G-14	A

REF: S00198T SCALE: NTS SHEET 1 OF 1