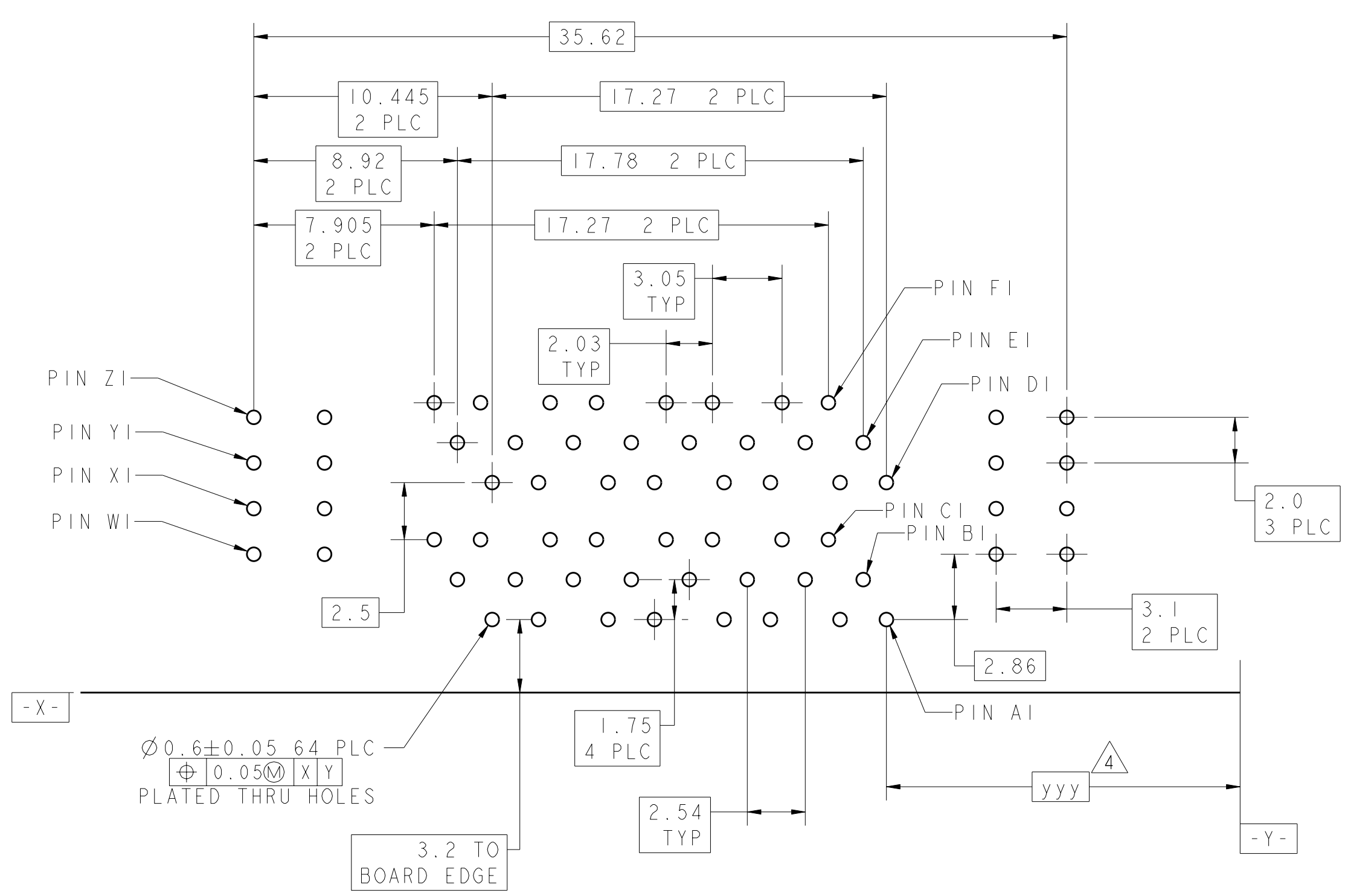
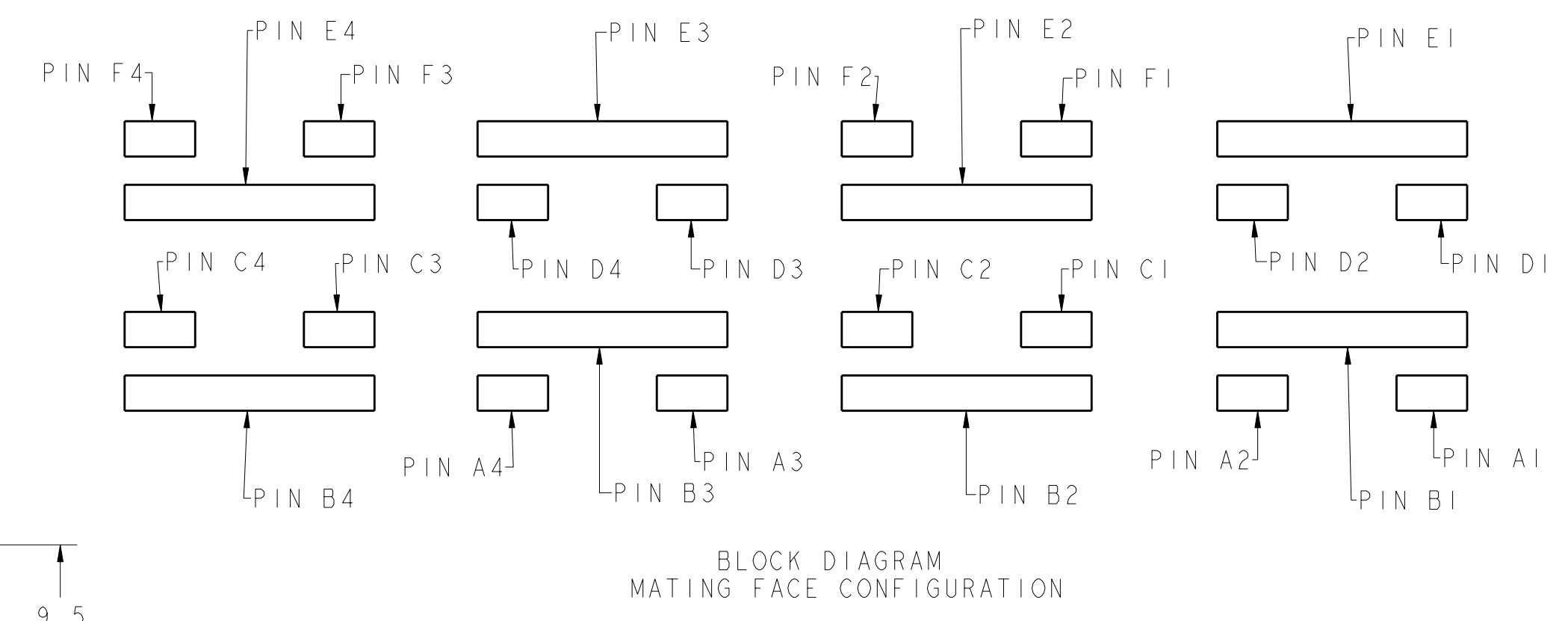
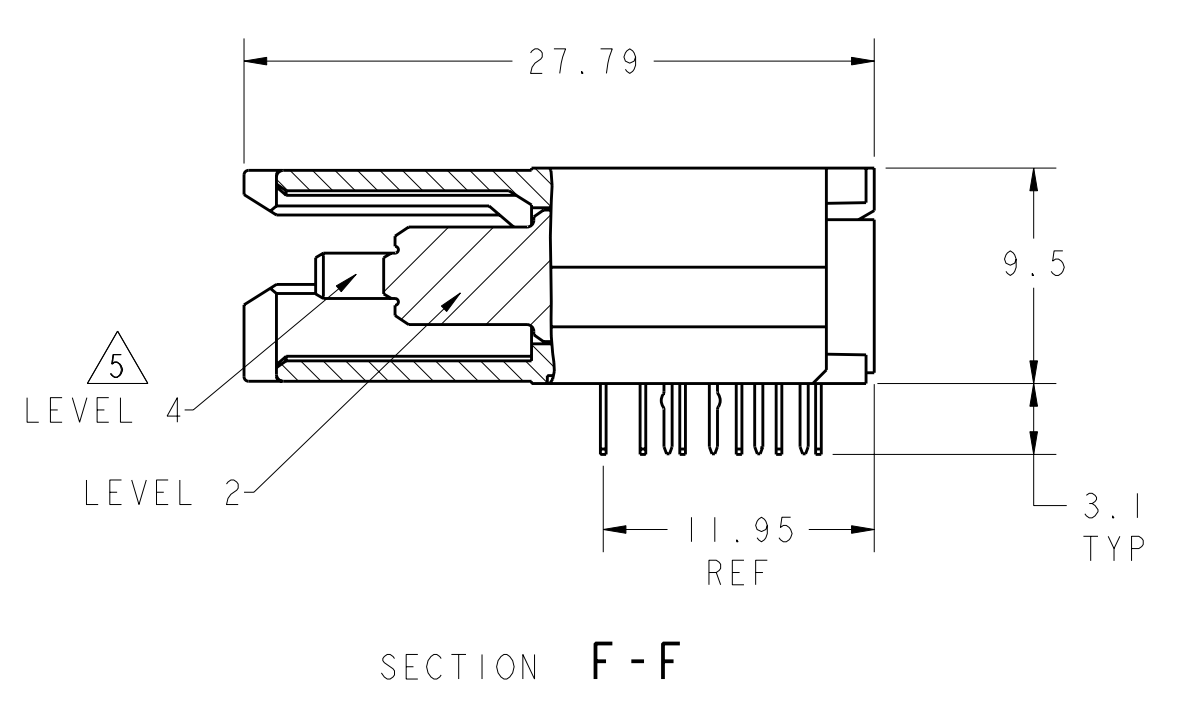
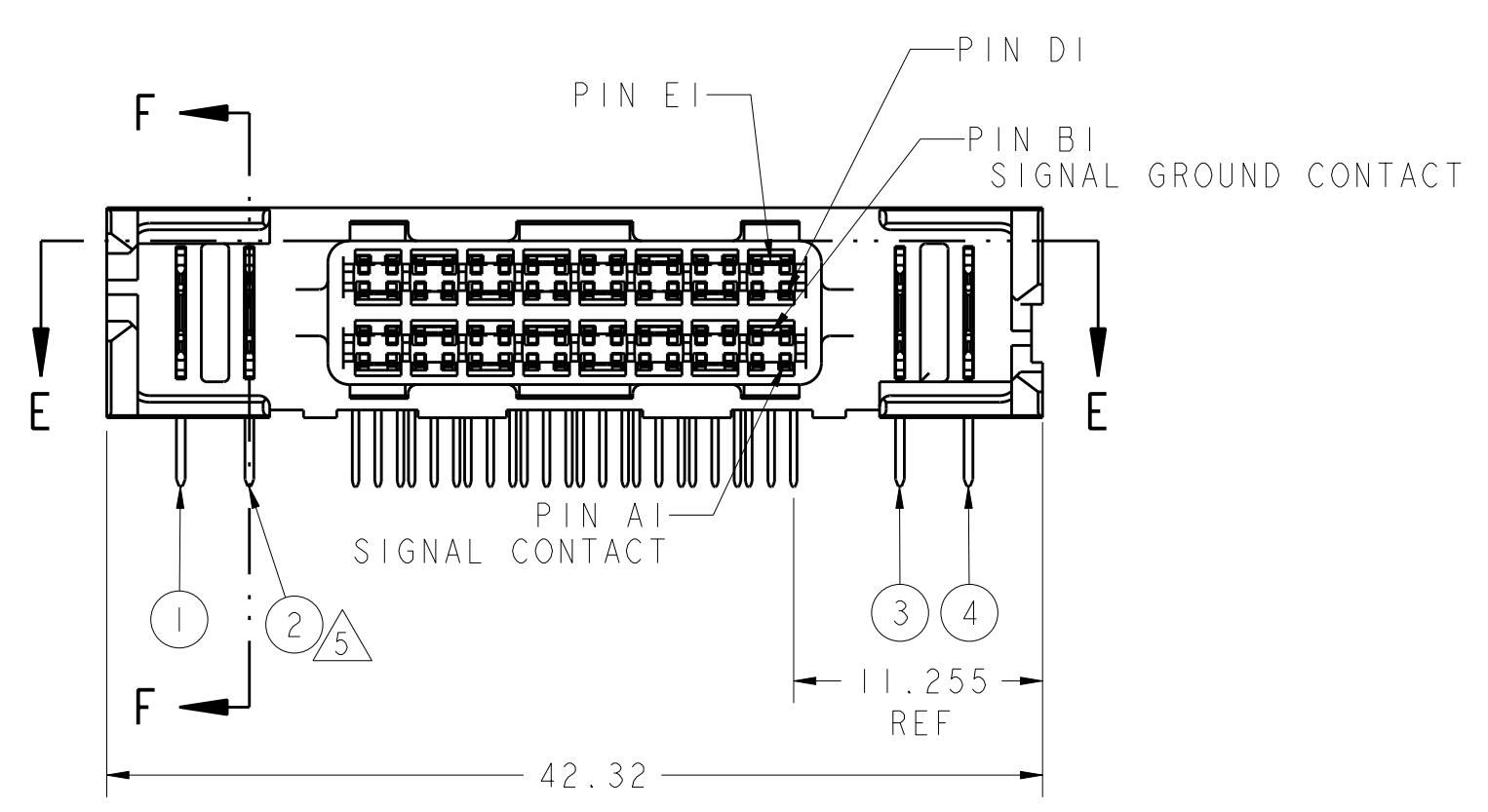
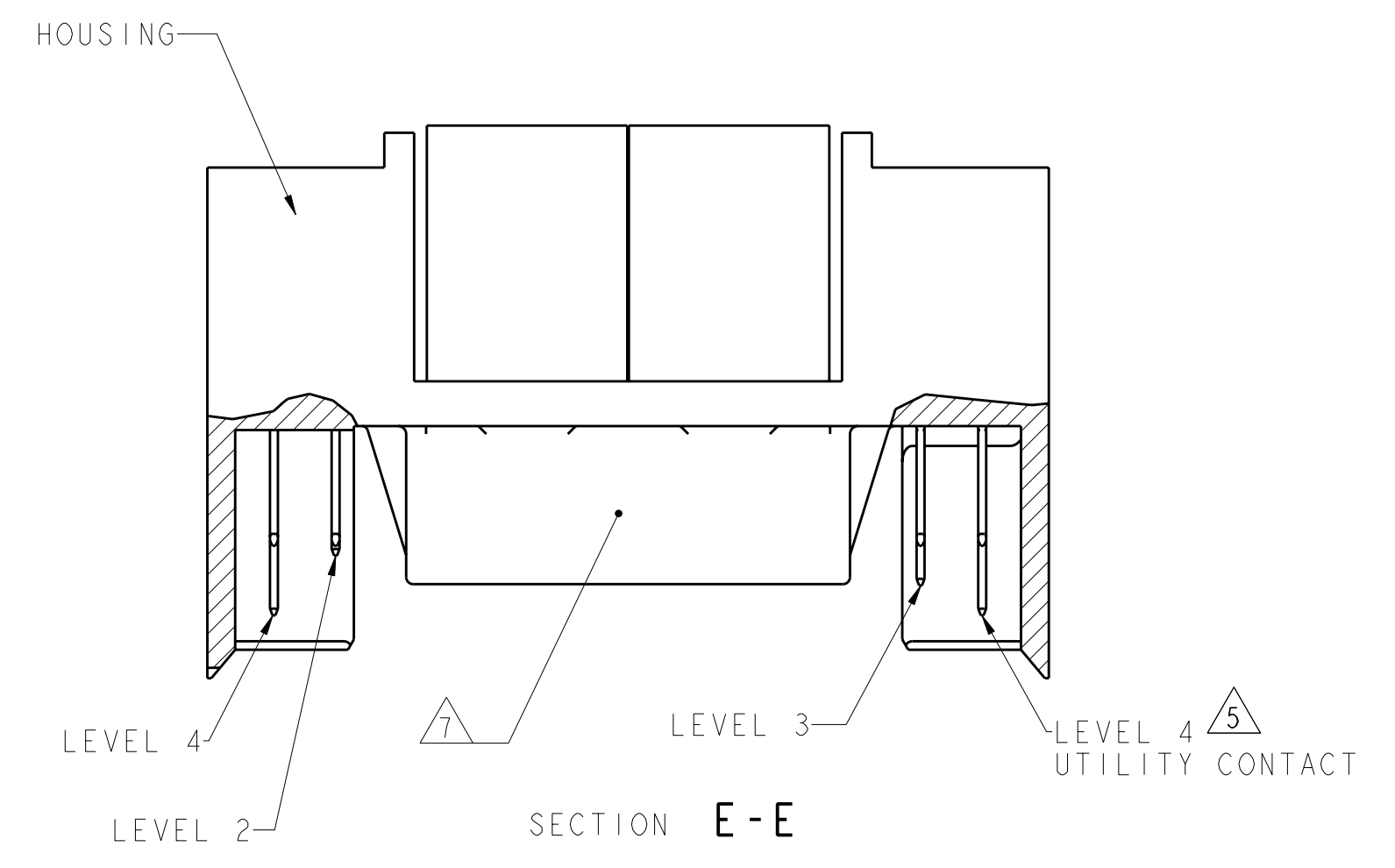


LOC	DIST	REV	DATE	BY	APPD
GP	00	B	14DEC2010	CJV	EJB

- △ HOUSINGS; POLYESTER, UL 94V-0 RATED, NATURAL
 SIGNAL AND SIGNAL GROUND CONTACTS: COPPER ALLOY
 UTILITY CONTACTS: PHOSPHOR BRONZE
- △ UTILITY CONTACTS: 0.76µm MIN GOLD IN CONTACT AREA,
 2.54µm MIN TIN-LEAD ON PCB TAILS, OVER 1.27µm MIN NICKEL OVER ALL.
 SIGNAL AND SIGNAL GROUND CONTACTS: 0.76µm MIN GOLD IN CONTACT AREA,
 2.54µm MIN TIN-LEAD ON PCB TAILS, OVER 1.27µm MIN NICKEL OVER ALL.
- 3. ROWS A, C, D, AND F ARE SIGNAL CONTACTS. ROWS B AND E ARE SIGNAL GROUND CONTACTS.
- △ DIMENSIONS PER CUSTOMER BOARD LAYOUT.
- △ SEE UTILITY CONTACT SEQUENCE TABLE FOR LOCATION AND LEVEL/LENGTH OF UTILITY CONTACTS FOR EACH PRODUCT PART NUMBER. UTILITY LEVEL 1 CAN BE USED FOR SENSING. UTILITY LEVELS 2, 3, AND 4 CAN BE USED FOR POWER, GROUND, OR ESD. SEQUENCING SHOWN IN SECTION E-E SHOWS THREE LEVELS FOR COMPARISON. UTILITY LEVEL 2 EQUALS THE SIGNAL GROUND CONTACT LEVEL. SIGNAL LEVEL IS BETWEEN UTILITY LEVELS 1 AND 2.
- 6. BLOCK DIAGRAM AND CONTACT IDENTIFICATION APPLY TO COPLANAR NON-INVERTED APPLICATION ONLY. CONTACT IDENTIFICATION REVERSES FOR INVERTED APPLICATIONS, I.E COPLANAR OR MID-BOARD INVERTED.
- △ COMPANY LOGO IN APPROXIMATE AREA SHOWN.



RECOMMENDED PC BOARD FOOTPRINT
 COMPONENT SIDE SHOWN
 SCALE 5:1

UTILITY CONTACT SEQUENCE TABLE				
UTILITY CONTACT LEVEL 1, 2, 3, OR 4				
4	3	3	4	6367582-1
①	②	③	④	PART NUMBER
UTILITY CONTACT LOCATION				

DIMENSIONS: mm 		TOLERANCES UNLESS OTHERWISE SPECIFIED: 0 PLC ± .3 1 PLC ± 0.3 2 PLC ± 0.25 3 PLC ± .3 4 PLC ± .3 ANGLES ± .5		DWN C. VALENTINE 14DEC2010 CHK E. BRIANT 14DEC2010 APVD F. BRIANT 14DEC2010 NAME Tyco Electronics Tyco Electronics Harrisburg, PA 17105-3608 PRODUCT SPEC 108-1985 APPLICATION SPEC 114-13068 WEIGHT - CUSTOMER DRAWING	
MATERIAL △ FINISH △		SIZE CAGE CODE DRAWING NO RESTRICTED TO A11 00779 C=6367582 SCALE 3:1 SHEET 1 OF 1 REV B		Tyco Electronics Harrisburg, PA 17105-3608 Z-DOK+ ADAPTER BOARD CONNECTOR ASSEMBLY, 16 SIGNAL DIFF. PAIR, 2 UTILITY CONTACTS PER SIDE	