

PART NAME: KNOB

SCALE: 1:1

DATE: 3/31/72

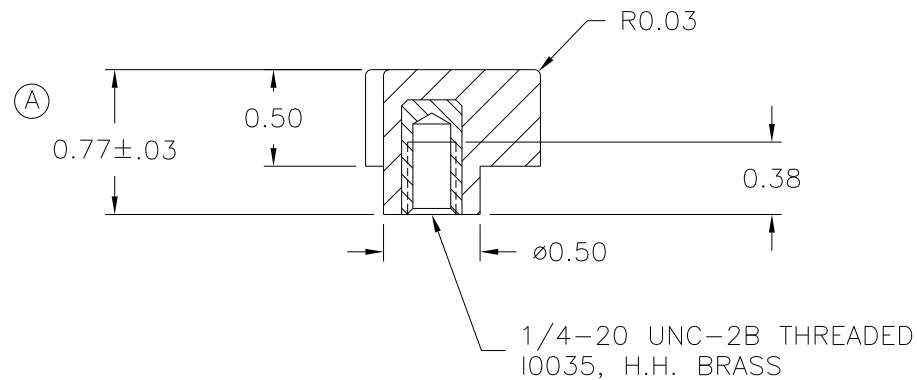
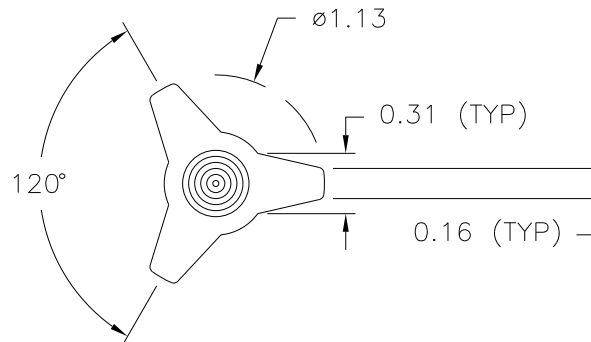
DR. BY NH


 DESIGNERS & MANUFACTURERS
 OF KNOBS, HANDLES, CASES &
 CUSTOM PLASTIC COMPONENTS

P/N 3025AG

 THIS DRAWING IS THE PROPERTY OF DAVIES MOLDING COMPANY, IS SUBMITTED SOLELY AS A DESIGN OR ENGINEERING PROJECT.
 WE ACCEPT NO RESPONSIBILITY WHATSOEVER FOR THE PRACTICAL APPLICATION OF THE PIECES MADE TO THIS DESIGN.
M^{NO.} 3025

CAVITY	3025
PLUNGER	3025
PLUNGER PIN	3025-A
PINS	3025-2
SHIMS	1/4 + 1/8
INSERT	I0035


 MATERIAL: G.P. PHENOLIC (B11)
 COLOR: BLACK

TOLERANCES: UNLESS OTHERWISE SPECIFIED	DO NOT SCALE DRAWING	-	CORRECTED DRAWING ELIMINATED RECESS	JAM	8/29/00
		-	RE-DID REDRAW	TL	11/16/99
DECIMALS: X.XXX ± .005 X.XX ± .015	MM: X.XX ± 0.15MM X.X ± 0.4MM	A	WAS 0.75	HD	6/14/96
		-	CAD REDRAW	HD	7/23/92
FRACTIONS ± 1/64	ANG. ± 1°	CHANGES			