

4

3

2

1

THIS DRAWING IS UNPUBLISHED.
DIFFUSION RESTREINTE AMP

RELEASED FOR PUBLICATION
LIBRE A LA DIFFUSION 20

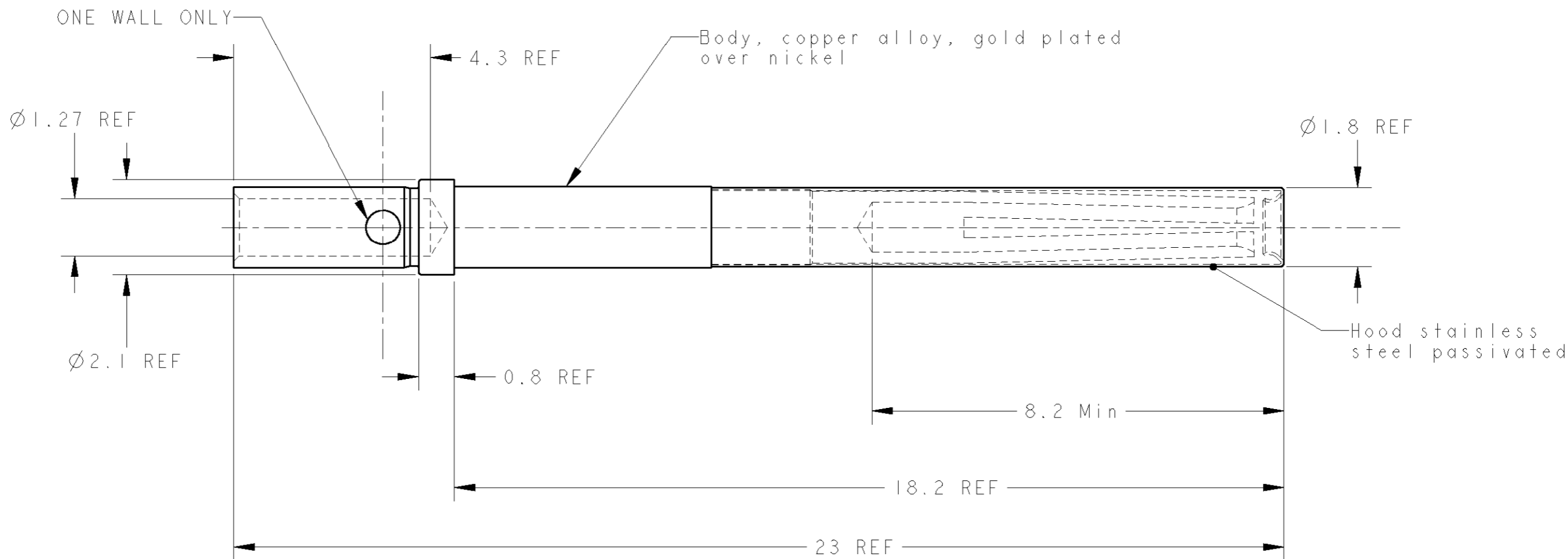
© COPYRIGHT 20 BY TYCO ELECTRONICS CORPORATION. ALL RIGHTS RESERVED.
TOUS DROITS RESERVES

LOC F DIST 7

REVISIONS

P	LTR REV	DESCRIPTION MODIFICATIONS	DATE	DWN DESS.	APVD APP.
	D	REDRAWN AND UPDATED	28JAN2004	J.D	YP

SCALE 1:1



TYCO P/N: 132155-1

Notes:

- FOR CONDUCTOR SECTION 0.93mm²- AWG18
Pour conducteur section 0.93 mm²- AWG18
- CRIMPING HAND TOOL: MS3191-1 OR M22520/1-01
LOCATOR M22520/1-02 IN POSITION 5
Pince de sertissage MS3191-1 ou M22520/1-01
Locator M22520/1-02 en position 5

THIS DRAWING IS A CONTROLLED DOCUMENT FOR TYCO ELECTRONICS CORPORATION IT IS SUBJECT TO CHANGE AND THE CONTROLLING ENGINEERING ORGANIZATION SHOULD BE CONTACTED FOR THE LATEST REVISION. CE PLAN EST UN DOCUMENT CONTROLE PAR AMP INCORPORATED. IL EST SUSCEPTIBLE D'ETRE REVISE. CONTACTER LE SERVICE TECHNIQUE D'AMP DE FRANCE POUR OBTENIR LA DERNIERE REVISION.		DWN/DESSINE 28JAN2004 J. DREUX	TYCO ELECTRONICS France SAS BP 39, 95301 CERGY-PONTOISE Cedex	
DIMENSIONS: mm		CHK/VERIFIE 28JAN2004 Y. PETRONIN	NAME TITRE SOCKET ASS'Y, SIZE 20, REAR RELEASE, TYPE XVII	
TOLERANCES UNLESS OTHERWISE SPECIFIED: (SUIV NB DE DECIMALES): 0 PLC/DEC: ± 1 PLC/DEC: ± 2 PLC/DEC: ± 3 PLC/DEC: ± 4 PLC/DEC: ± ANGLES ±		APVD/APPROUVE 28JAN2004 Y. PETRONIN	SIZE FORMAT A3	
MATERIAL /MATIERE		PRODUCT SPEC SPEC. PRODUIT	CAGE CODE 00779	RESTRICTED TO RESERVE A
FINISH /FINITION		APPLICATION SPEC SPEC. APPLICATION NOTE 2	DRAWING NO No PLAN C=132155	
		WEIGHT MASSE APPROX. -	SCALE ECHELLE 10:1	REV D
		CUSTOMER DRAWING /PLAN CLIENT	UNIQUEMENT POUR REFERENCE	SHEET FEUILLE OF DE