

Electronic housing - E/ME TBUS NS 35 GY - 2713780


Please be informed that the data shown in this PDF Document is generated from our Online Catalog. Please find the complete data in the user's documentation. Our General Terms of Use for Downloads are valid (<http://download.phoenixcontact.com>)



End clamp, stable construction for DIN rail bus connector



Key commercial data

Packing unit	1
Minimum order quantity	1
Catalog page	Page 630 (CC-2011)
GTIN	 4 017918 943493
Custom tariff number	85472000
Country of origin	GERMANY

Technical data

Product type	Mounting material
Approval	UL Recognized

Classifications

ETIM

ETIM 2.0	EC001031
ETIM 3.0	EC001031
ETIM 4.0	EC001031
ETIM 5.0	EC001031

UNSPSC

UNSPSC 11	31261501
UNSPSC 12.01	31261501
UNSPSC 13.2	31261501
UNSPSC 6.01	31261501
UNSPSC 7.0901	31261501

Electronic housing - E/ME TBUS NS 35 GY - 2713780

Classifications

eCl@ss

eCl@ss 4.0	27180401
eCl@ss 4.1	27180401
eCl@ss 5.0	27180506
eCl@ss 5.1	27180506
eCl@ss 6.0	27180802
eCl@ss 7.0	27182702

Approvals

Approvals

Approvals

UL Recognized

Ex Approvals

Approvals submitted

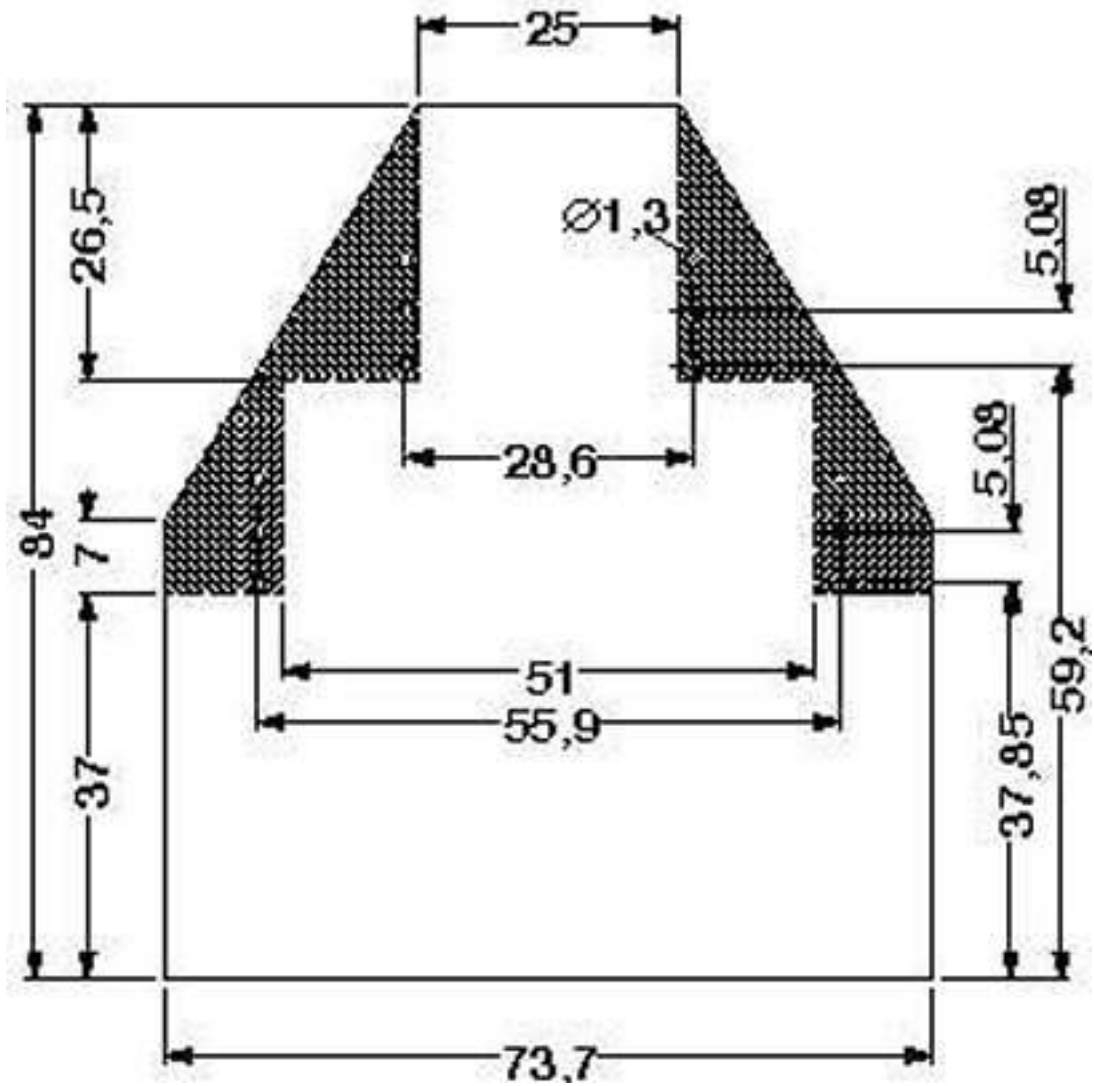
Approval details



Drawings

Electronic housing - E/ME TBUS NS 35 GY - 2713780

Dimensioned drawing



Electronic housing - E/ME TBUS NS 35 GY - 2713780

Dimensioned drawing

