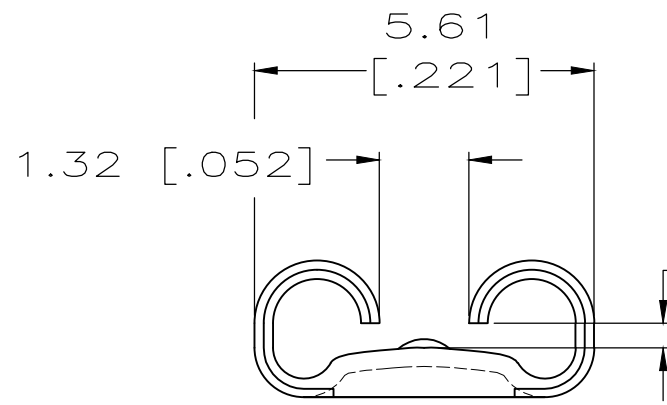
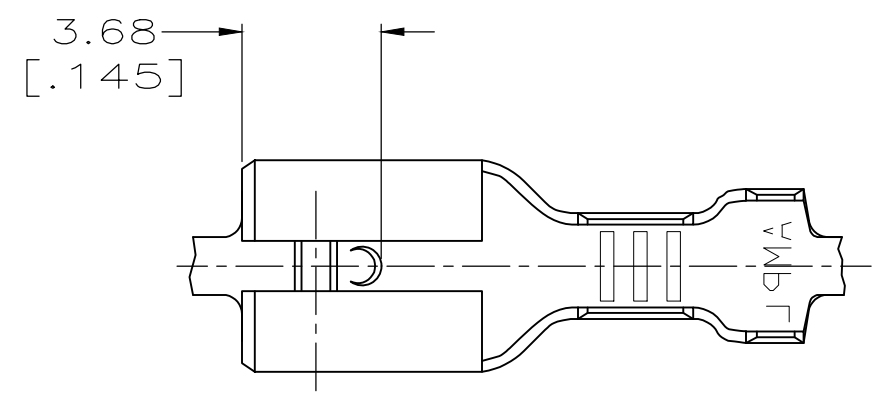


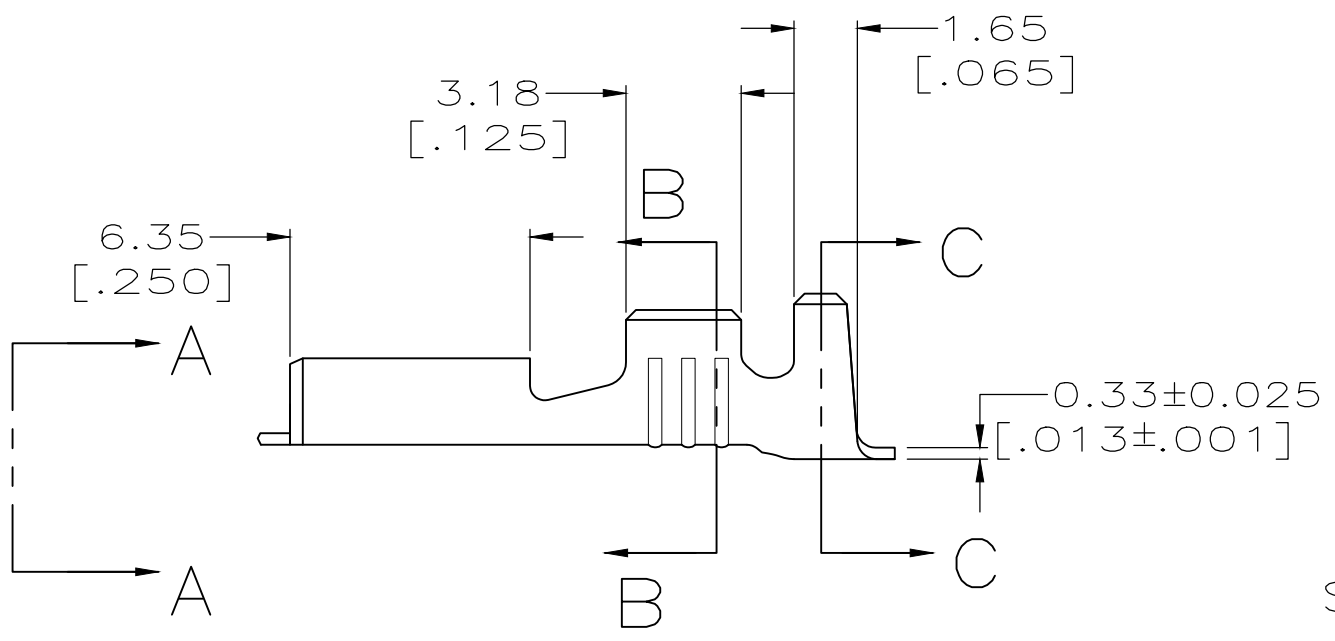
THIS DRAWING IS UNPUBLISHED. RELEASED FOR PUBLICATION  
 © COPYRIGHT - By - ALL RIGHTS RESERVED.

LOC	DIST	REVISIONS			
P	LTR	DESCRIPTION	DATE	DWN	APVD
AF	50	H1	REVISED PER ECR-20-009164	3AUG2020	MK DH

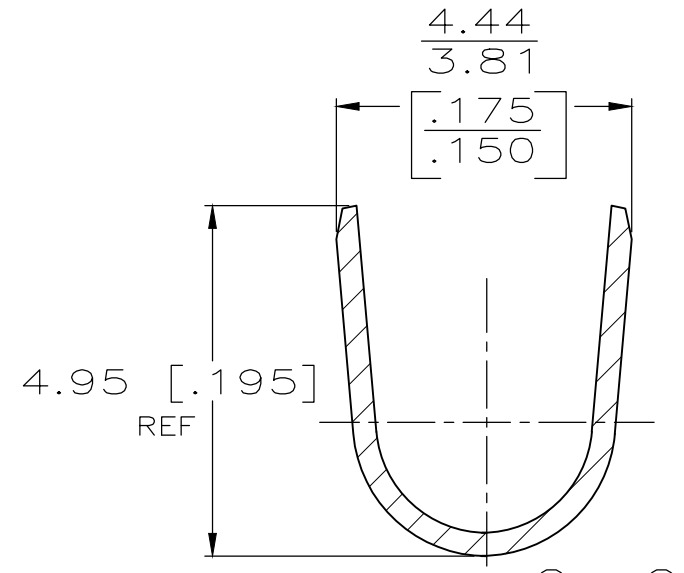
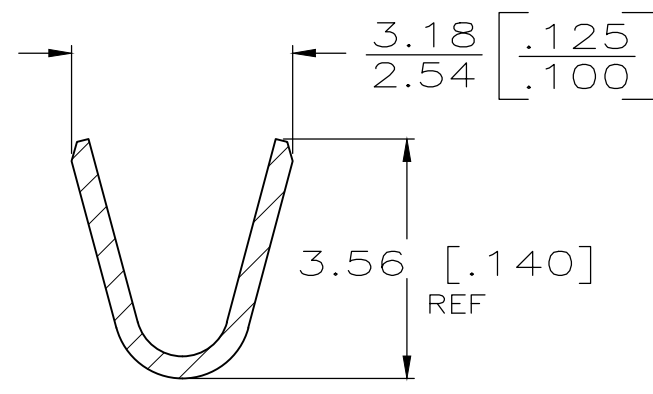
- ACCEPTS WIRE SIZE [#20-#16] AWG.
- INSULATION RANGE IS 2.29-3.30 [.090-.130] DIA.
- CONTINUOUS STRIP ON REELS.



VIEW A-A  
SCALE 8:1



SECTION B-B  
SCALE 8:1



SECTION C-C  
SCALE 8:1

TIN	0.53-0.48 [.021-.019]	63475-2
-		63475-1
FINISH	MATING TAB THICKNESS	PART NUMBER

THIS DRAWING IS A CONTROLLED DOCUMENT.		DWN JR RUTH 11/9/87	TE Connectivity RECEPTACLE, LIF, FASTON, 4.75 [.187] SERIES											
DIMENSIONS: mm [INCHES]		CHK G YETTER 11/10/87												
TOLERANCES UNLESS OTHERWISE SPECIFIED:		APVD C MEYERS 11/10/87												
<table border="1"> <tr><td>0 PLC</td><td>± -</td></tr> <tr><td>1 PLC</td><td>± -</td></tr> <tr><td>2 PLC</td><td>± 0.25 [.010]</td></tr> <tr><td>3 PLC</td><td>± -</td></tr> <tr><td>4 PLC</td><td>± -</td></tr> <tr><td>ANGLES</td><td>± -</td></tr> </table>		0 PLC				± -	1 PLC	± -	2 PLC	± 0.25 [.010]	3 PLC	± -	4 PLC	± -
0 PLC	± -													
1 PLC	± -													
2 PLC	± 0.25 [.010]													
3 PLC	± -													
4 PLC	± -													
ANGLES	± -													
MATERIAL BRASS	FINISH SEE TABLE	APPLICATION SPEC -	SIZE A3	CAGE CODE 00779	DRAWING NO C-63475	RESTRICTED TO -								
CUSTOMER DRAWING			SCALE 5:1	SHEET 1 OF 1	REV H1									