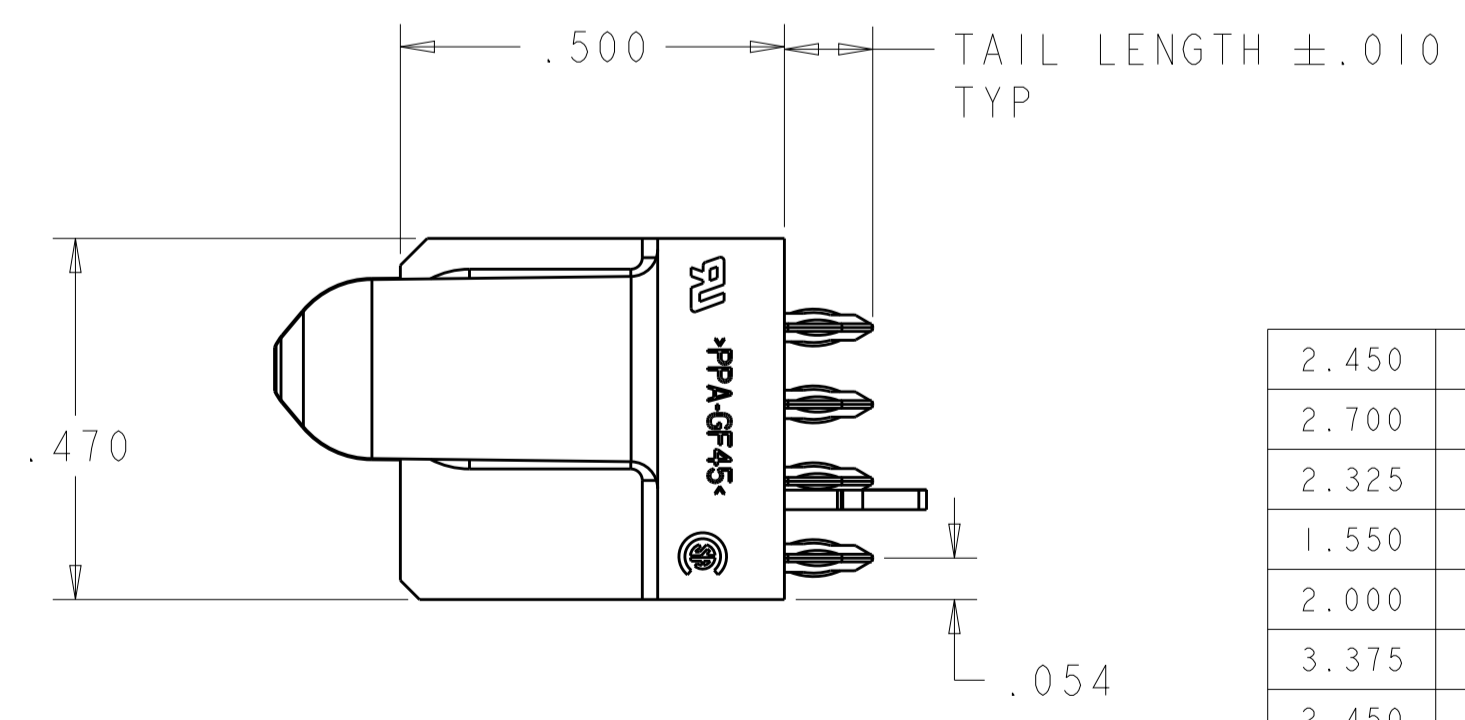
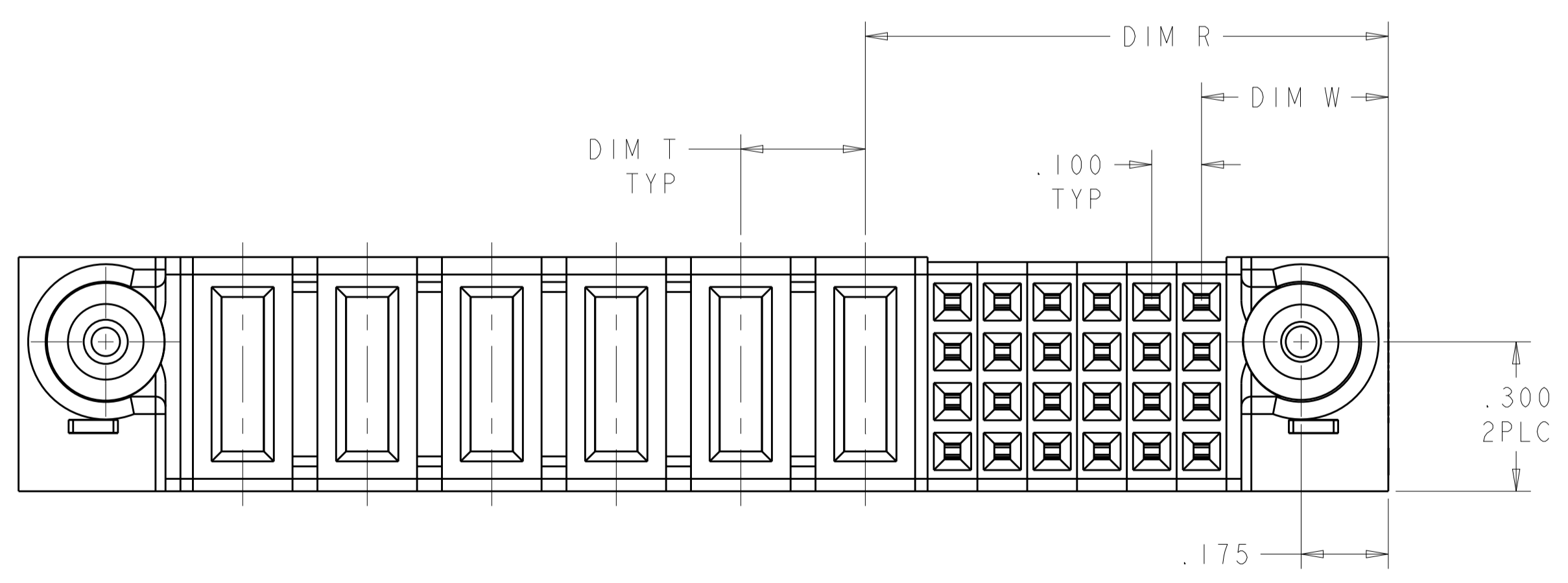
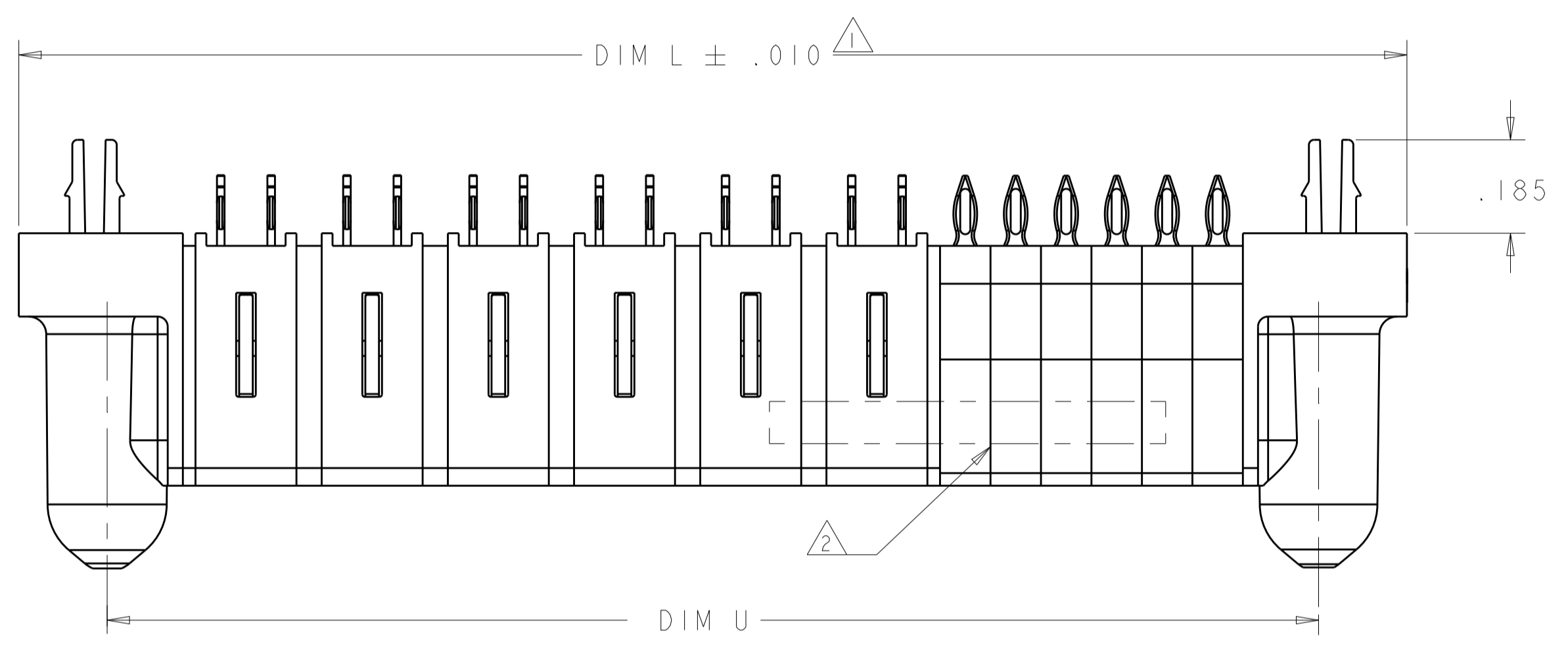
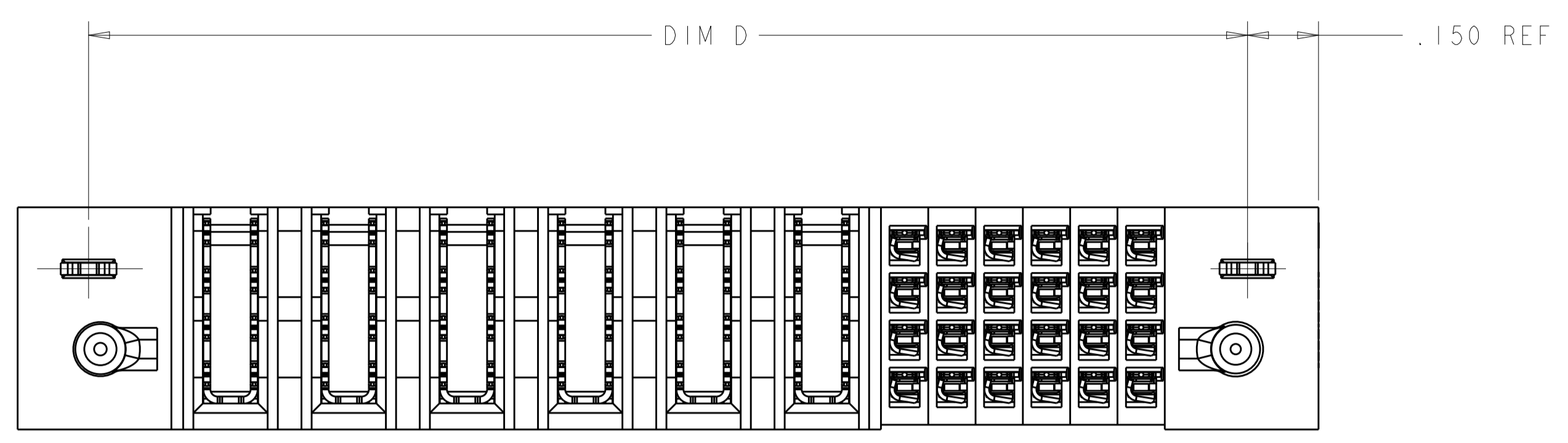


LOC		DIST		REVISIONS			
P	LTN	DESCRIPTION	DATE	DMN	APVD		
H2		ADDED THE DASH NUMBER -11	29APR2011	ML	SZ		
H3		ADDED NEW DASH NUMBER -12	05JUN2013	CZ	SZ		
H4		REV PER ECO-17-013303	22AUG2017	WY	SZ		



- 1 THE MAXIMUM OVERALL LENGTH OF A PART IS 8.00.
- 2 PART NUMBER, AND DATE CODE MARKED IN AREA SHOWN. MARKING ON BOTH SIDES PERMITTED FOR PARTS UNDER 2.00 LONG.
- 3 MATERIAL:  
 HOUSING - GLASS FILLED HIGH TEMP THERMO PLASTIC, UL94 V-0, BLACK  
 SIGNAL CONTACT - HIGH CONDUCTIVITY COPPER ALLOY  
 POWER CONTACT - HIGH CONDUCTIVITY COPPER ALLOY
- 4 CONTACT PLATING: NOBLE METAL PLATING ON CONTACT FUNCTIONAL AREA OF POWER AND SIGNAL CONTACTS
- 5 MECHANICAL CONNECTOR KEEP OUT ZONE.
- 6 DATUM AND BASIC DIMENSIONS ESTABLISHED BY CUSTOMER.
- 7 PCB - ALL HOLE DIAMETERS ARE FINISHED HOLE SIZES.
- 8 PCB - .0453±.0010 DRILLED HOLES PLATED WITH .0003 MIN Sn OVER .001 TO .003 Cu PLATING TO ACHIEVE A .040 HOLE.

2.450	2.400	.250	1.050	.375	2.750	24S + 6P	1-6450551-3
2.700	2.650	.250	1.050	.375	3.000	24S + 7P	1-6450551-2
2.325	2.275	.250	.925	.425	2.625	16S + 6P	1-6450551-1
1.550	1.500	.200	.825	.375	1.850	16S + 4P	1-6450551-0
2.000	1.950	.250	.850	.375	2.300	16S + 5P	6450551-9
3.375	3.325	.200	1.050	.375	3.675	24S + 12HDP	6450551-8
2.450	2.400	.250	1.050	.375	2.750	24S + 6P	6450551-7
3.000	2.950	.200	1.050	.375	3.300	24S + 10HDP	6450551-6
4.650	4.600	.250	1.250	.375	4.950	32S + 14P	6450551-5
3.375	3.325	.200	1.050	.375	3.675	24S + 12HDP	6450551-4
2.450	2.400	.250	1.050	.375	2.750	24S + 6P	6450551-1
D	U	T	R	W	L	DESCRIPTION	PART NUMBER

THIS DRAWING IS A CONTROLLED DOCUMENT. DWN: LESSON, L.L. 02AUG2007  
 CHK: SUNNY, ZHAO 02AUG2007

APVD: STEVEN YAO

NAME: STEVEN YAO

PRODUCT SPEC: 108-1973

APPLICATION SPEC: 114-13038

WEIGHT: -

CUSTOMER DRAWING

SCALE: 2:1

SHEET 1 OF 8

REV: H4

RESTRICTED TO

STE TE Connectivity

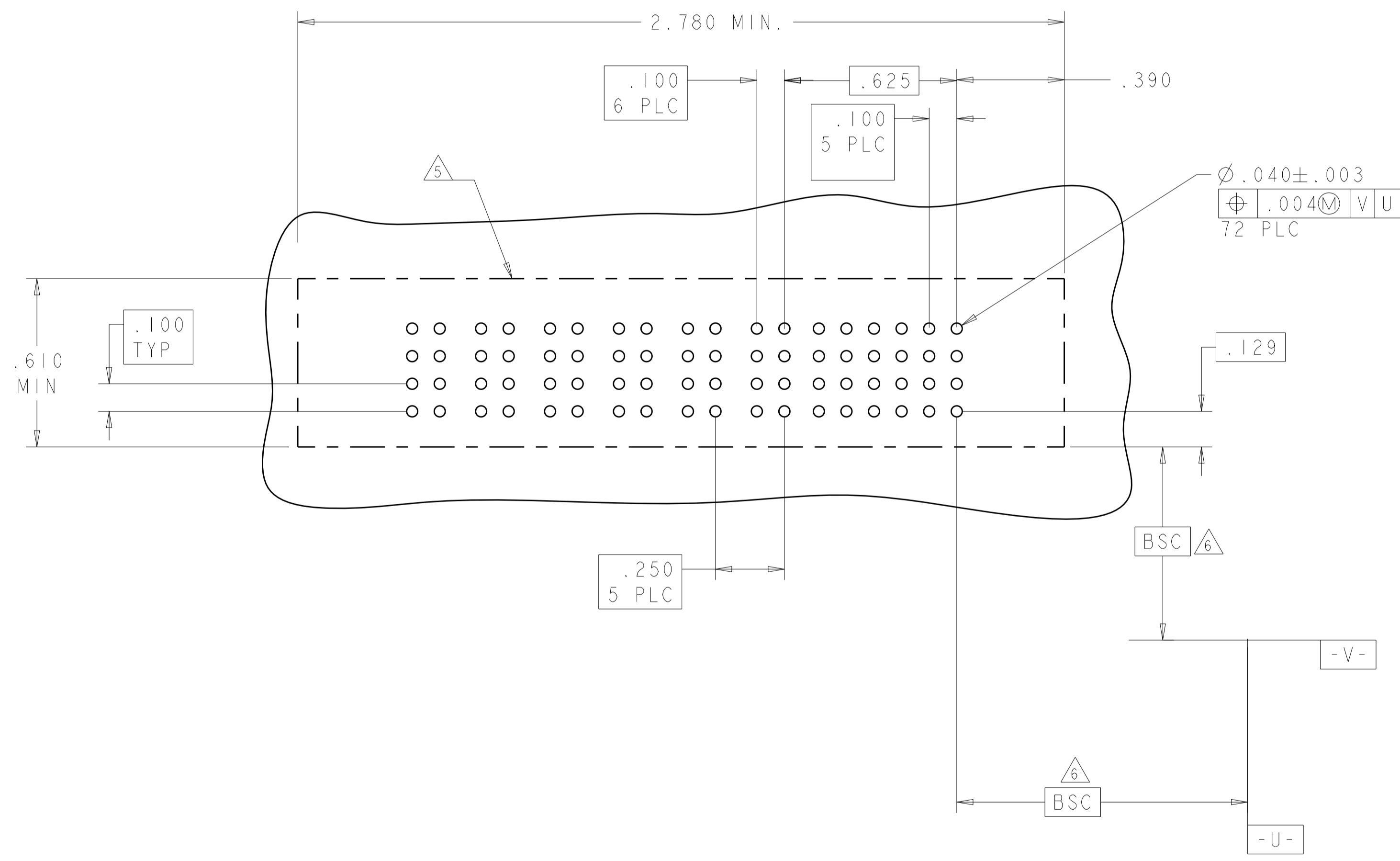
VERTICAL RECEPTACLE ASSEMBLY WITH GUIDES, PRESS-FIT, MULTI-BEAM XL

A100779C=6450551

LOC		DIST		REVISIONS			
				REV	DATE	BY	APPV
-	-	-	-	-	-	-	-
-	-	-	-	-	SEE SHEET 1	-	-

PART NUMBER	ROWS	POWER						SIGNAL						
		P6	P5	P4	P3	P2	P1	6	5	4	3	2	1	
6450551-1	D C B A	[Diagram]	GS	GS	GS	GP	GP	GP	AP	AP	AP	AP	AP	AP
			GS	GS	GS	GP	GP	GP	AP	AP	AP	AP	AP	AP
			GS	GS	GS	GP	GP	GP	AP	AP	AP	AP	AP	AP
			GS	GS	GS	GP	GP	GP	AP	AP	AP	AP	AP	AP
24S + 6P														

PART NUMBER	ROWS	POWER						SIGNAL						
		P6	P5	P4	P3	P2	P1	6	5	4	3	2	1	
1-6450551-3	D C B A	[Diagram]	GS	GS	GS	GP	GP	GP	AP	AP	AP	AP	AP	AP
			GS	GS	GS	GP	GP	GP	AP	AP	AP	AP	AP	AP
			GS	GS	GS	GP	GP	GP	AP	AP	AP	AP	AP	AP
			GS	GS	GS	GP	GP	GP	AP	AP	AP	AP	AP	AP
24S + 6P														

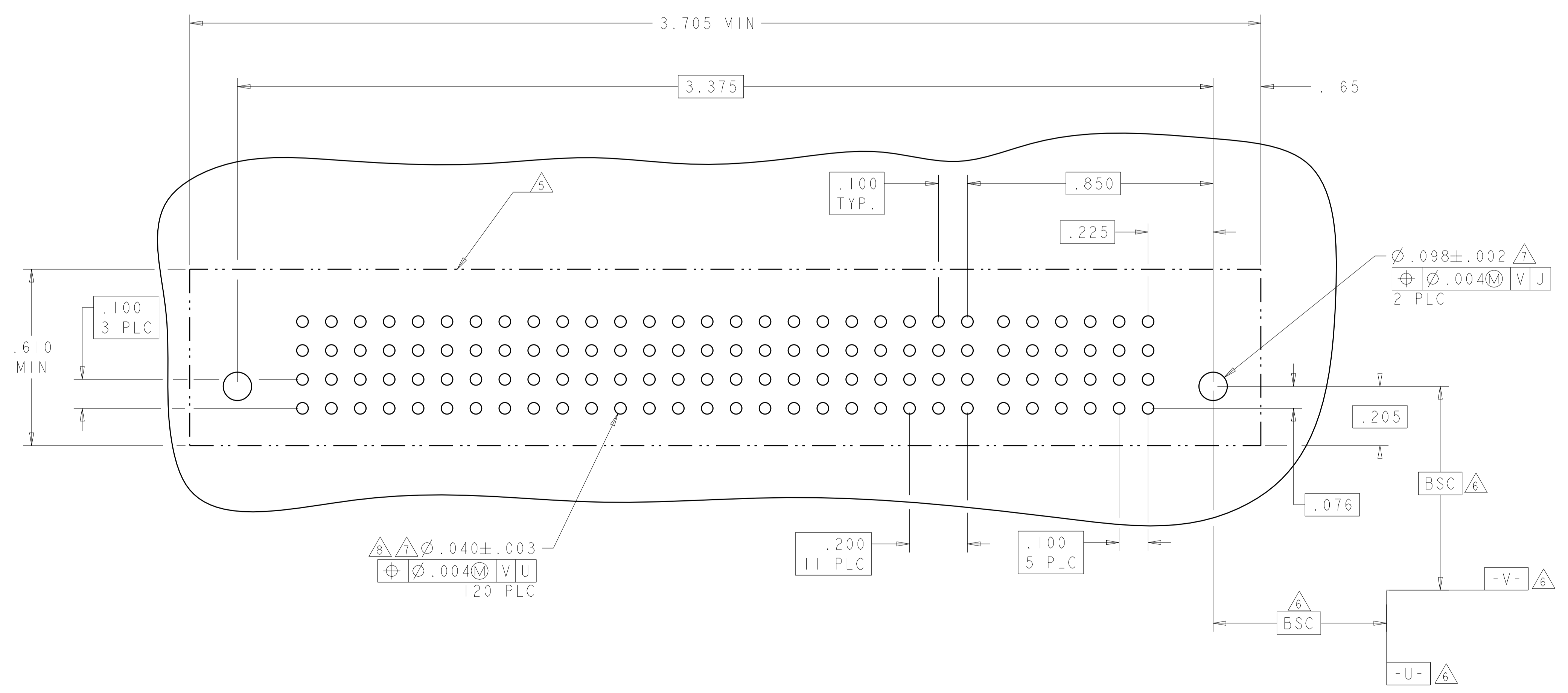


DESCRIPTION	CODE
SIGNAL CONTACT, .135 TAIL LENGTH	AP
POWER CONTACT, STD .135 TAIL LENGTH	GS
POWER CONTACT, MFBL .135 TAIL LENGTH	GP

THIS DRAWING IS A CONTROLLED DOCUMENT.		OWN: LESSON, L.L. 02AUG2007	TE Connectivity
DIMENSIONS: INCHES		CHK: SUNNY, ZHAO 02AUG2007	
TOLERANCES UNLESS OTHERWISE SPECIFIED:		APV: STEVEN, YAO	NAME: VERTICAL RECEPTACLE ASSEMBLY WITH GUIDES, PRESS-FIT, MULTI-BEAM XL PRODUCT SPEC: 108-1973 APPLICATION SPEC: 114-13038 WEIGHT: - CUSTOMER DRAWING
0 PLC ±.1		PRODUCT SPEC: 108-1973	
1 PLC ±.02		APPLICATION SPEC: 114-13038	
2 PLC ±.005		SIZE: A100779C=6450551	
3 PLC ±.0005		RESTRICTED TO: -	SCALE: 2:1
4 PLC ±.0005		REVISION: H4	SHEET: 2 OF 8
ANGLES ±.1			
FINISH: -			

LOC		DIST		REVISIONS			
P	LTN	DESCRIPTION	DATE	DMN	APVD		
-	-	SEE SHEET 1	-	-	-		

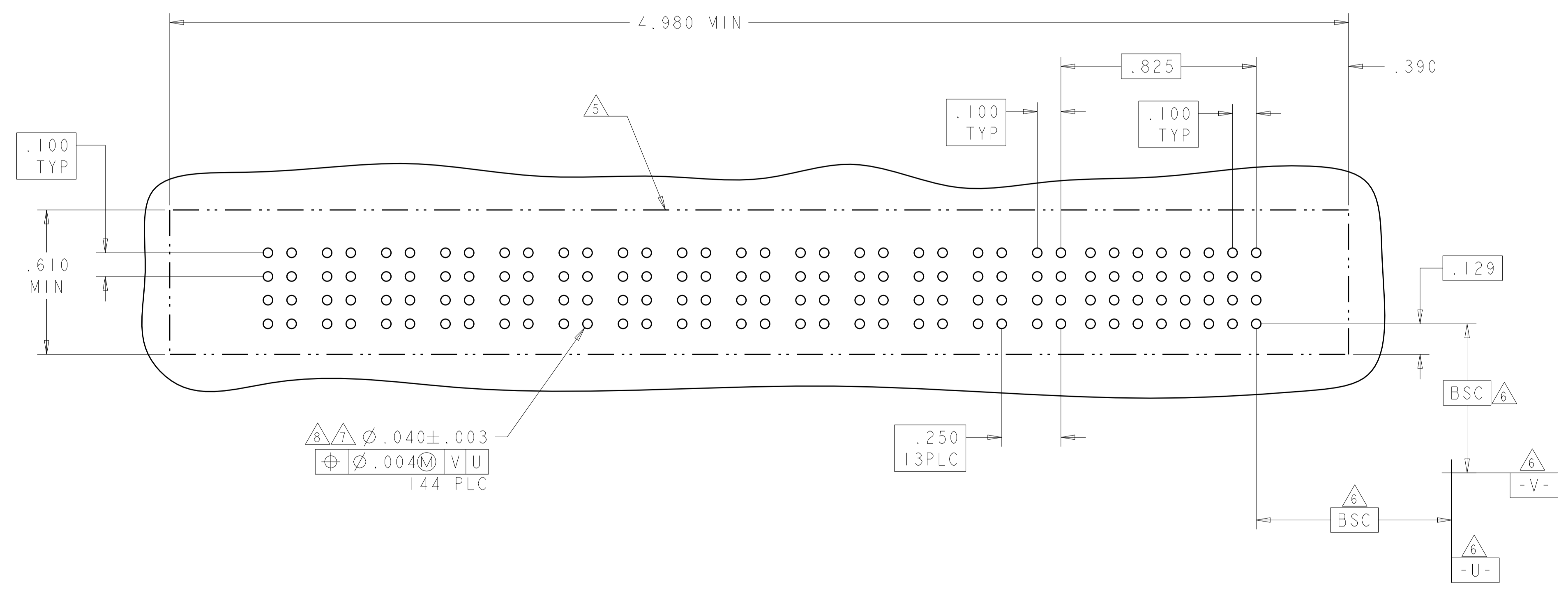
PART NUMBER	ROWS	POWER											SIGNAL								
		PI2	PI1	PI0	P9	P8	P7	P6	P5	P4	P3	P2	P1	6	5	4	3	2	1		
6450551-4	D C B A	HD	GS	GS	GS	GS	GS	GS	GP	GP	GP	GP	GP	GP	GP	AP	AP	AP	AP	AP	AP
			GS	GS	GS	GS	GS	GP	GP	GP	GP	GP	GP	GP	GP	AP	AP	AP	AP	AP	AP
			GS	GS	GS	GS	GS	GP	GP	GP	GP	GP	GP	GP	GP	AP	AP	AP	AP	AP	AP
			GS	GS	GS	GS	GS	GP	GP	GP	GP	GP	GP	GP	GP	AP	AP	AP	AP	AP	AP
24S + 12HDP																					



THIS DRAWING IS A CONTROLLED DOCUMENT.		DMN: LESSON.LL 02AUG2007	TE Connectivity
DIMENSIONS: INCHES		CHK: SUNNY.ZHAO 02AUG2007	
TOLERANCES UNLESS OTHERWISE SPECIFIED: 0 PLC ±.1 1 PLC ±0.02 2 PLC ±0.02 3 PLC ±0.005 4 PLC ±0.0005 ANGLES ±.		APVD: STEVEN.YAO NAME: STEVEN.YAO PRODUCT SPEC: 108-1973 APPLICATION SPEC: 114-13038 WEIGHT:	NAME: VERTICAL RECEPTACLE ASSEMBLY WITH GUIDES, PRESS-FIT, MULTI-BEAM XL SIZE: A1 CAGE CODE: 00779 DRAWING NO: 6450551 RESTRICTED TO:
MATERIAL: FINISH:		CUSTOMER DRAWING	SCALE: 2:1 SHEET 3 OF 8 REV: H4

LOC		DIST		REVISIONS			
P	LTN	DESCRIPTION	DATE	DMN	APVD		
-	-	SEE SHEET 1	-	-	-		

PART NUMBER	ROWS	POWER														SIGNAL							
		P14	P13	P12	P11	P10	P9	P8	P7	P6	P5	P4	P3	P2	P1	8	7	6	5	4	3	2	1
6450551-5	D C B A															AP	AP	AP	AP	AP	AP	AP	AP
		GS	GP	GS	GP	GS	GP	GS	GP	GS	GP	GS	GP	GS	GP	AP	AP	AP	AP	AP	AP	AP	AP
																AP	AP	AP	AP	AP	AP	AP	AP
																AP	AP	AP	AP	AP	AP	AP	AP
32S + 14P																							



THIS DRAWING IS A CONTROLLED DOCUMENT.		DMN: LESSON.LL 02AUG2007	TE Connectivity
DIMENSIONS: INCHES		CHK: SUNNY.ZHAO 02AUG2007	
TOLERANCES UNLESS OTHERWISE SPECIFIED: 0 PLC ±.1 1 PLC ±0.1 2 PLC ±0.02 3 PLC ±0.005 4 PLC ±0.0005 ANGLES ±.		APVD: STEVEN YAO	NAME: VERTICAL RECEPTACLE ASSEMBLY WITH GUIDES, PRESS-FIT, MULTI-BEAM XL
MATERIAL: -		PRODUCT SPEC: 108-1973	SIZE: A1
FINISH: -		APPLICATION SPEC: 114-13038	CAGE CODE: 00779
CUSTOMER DRAWING		WEIGHT: -	DRAWING NO: 6450551
SCALE: 2:1		SHEET: 4 OF 8	REV: H4

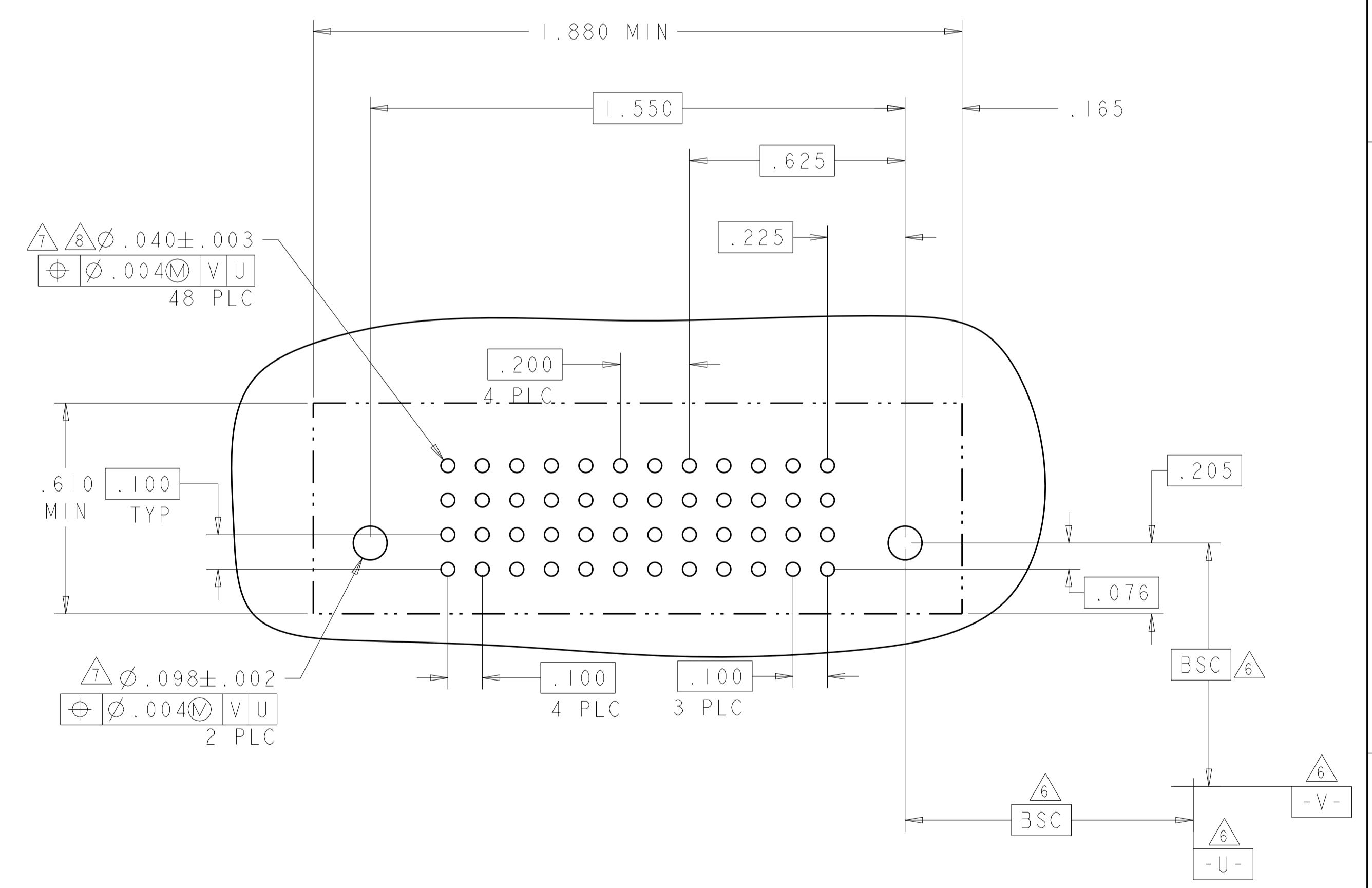
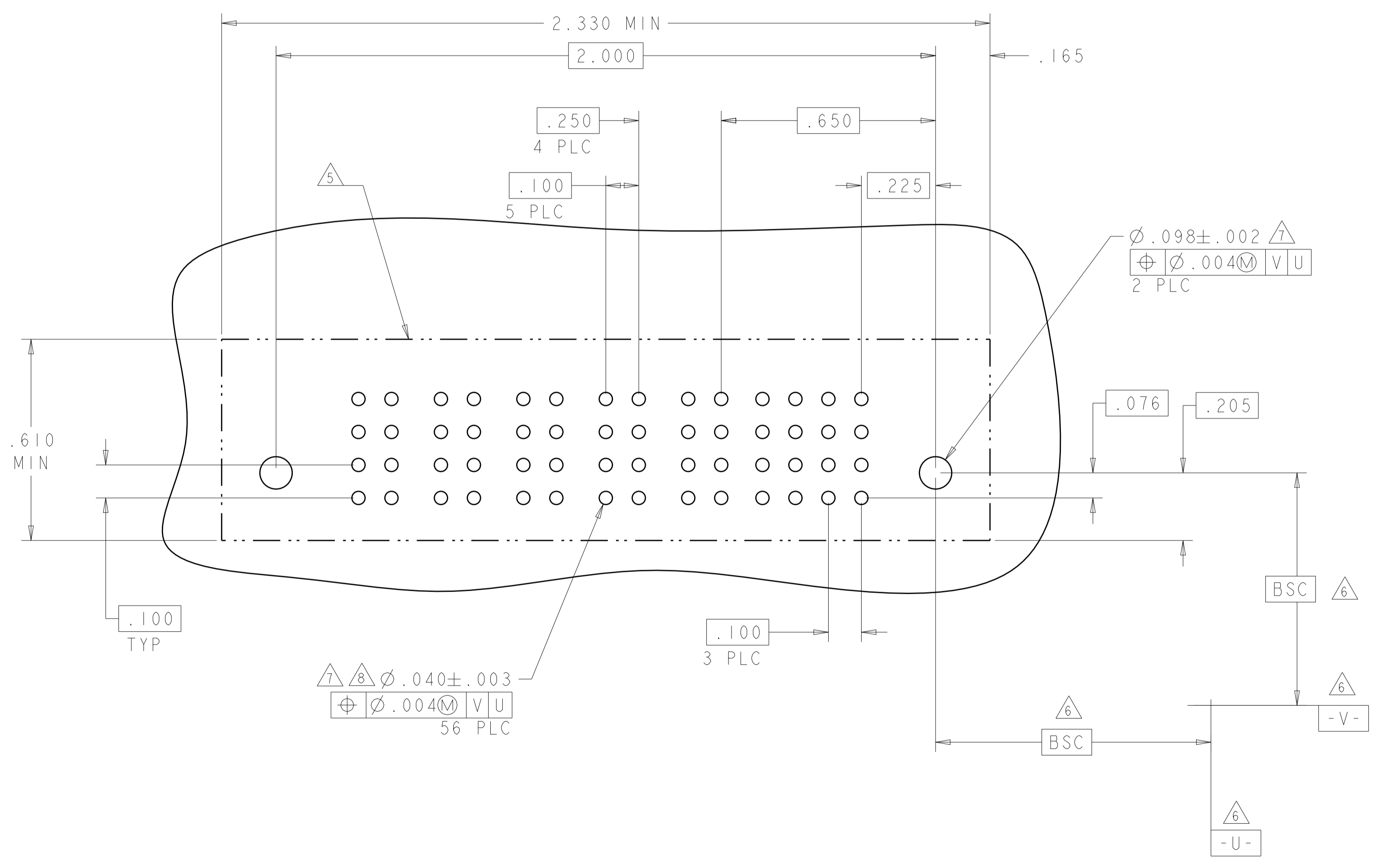




LOC	DIST	REV	DATE	BY	APPV
-	-	1	-	-	-
REVISIONS			DESCRIPTION		
-			SEE SHEET 1		

ASSY PART NUMBER	ROWS	POWER					SIGNAL				
		P5	P4	P3	P2	PI	4	3	2	1	
6450551-9	D	GP	GS	GS	GS	GP	AP	AP	AP	AP	
	C						AP	AP	AP	AP	
	B						AP	AP	AP	AP	
	A						AP	AP	AP	AP	
16S + 5P		HD						HD			

PART NUMBER	ROWS	POWER				SIGNAL			
		P4	P3	P2	PI	4	3	2	1
1-6450551-0	D	GP	GP	GS	GS	AP	AP	AP	AP
	C					AP	AP	AP	AP
	B					AP	AP	AP	AP
16S + 4P		HD					HD		



THIS DRAWING IS A CONTROLLED DOCUMENT. DWG: LESSON.L1 02AUG2007  
 CHK: SUNNY.ZHAO 02AUG2007  
 APV: STEVEN.YAO

STC TE Connectivity

NAME: VERTICAL RECEPTACLE ASSEMBLY WITH GUIDES, PRESS-FIT, MULTI-BEAM XL  
 PRODUCT SPEC: 108-1973  
 APPLICATION SPEC: 114-13038  
 WEIGHT: -  
 CUSTOMER DRAWING

DIMENSIONS: INCHES  
 TOLERANCES UNLESS OTHERWISE SPECIFIED:  
 0 PLC ±.1  
 1 PLC ±0.02  
 2 PLC ±0.02  
 3 PLC ±0.005  
 4 PLC ±0.0005  
 ANGLES ±.0005

MATERIAL: -  
 FINISH: -

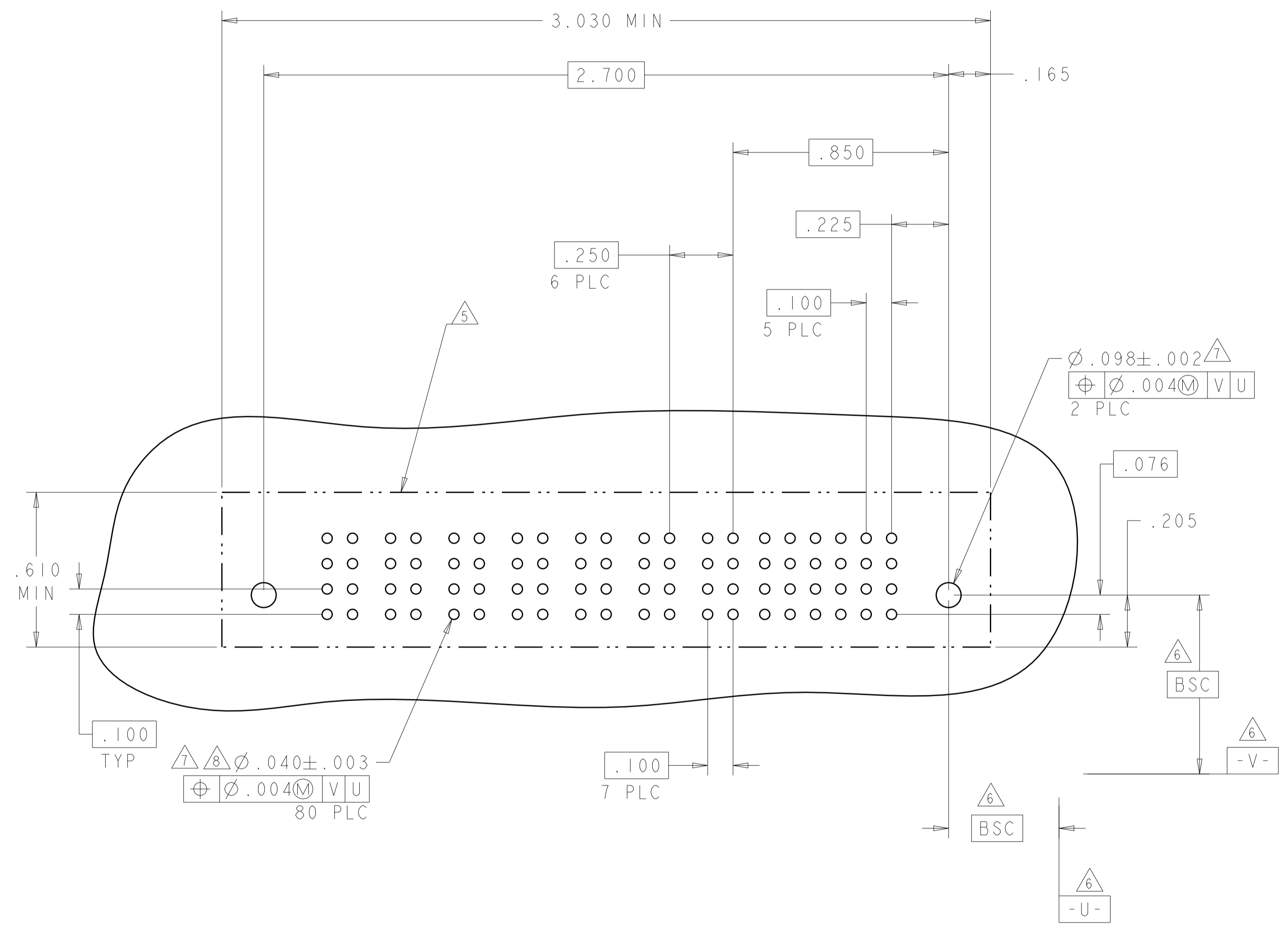
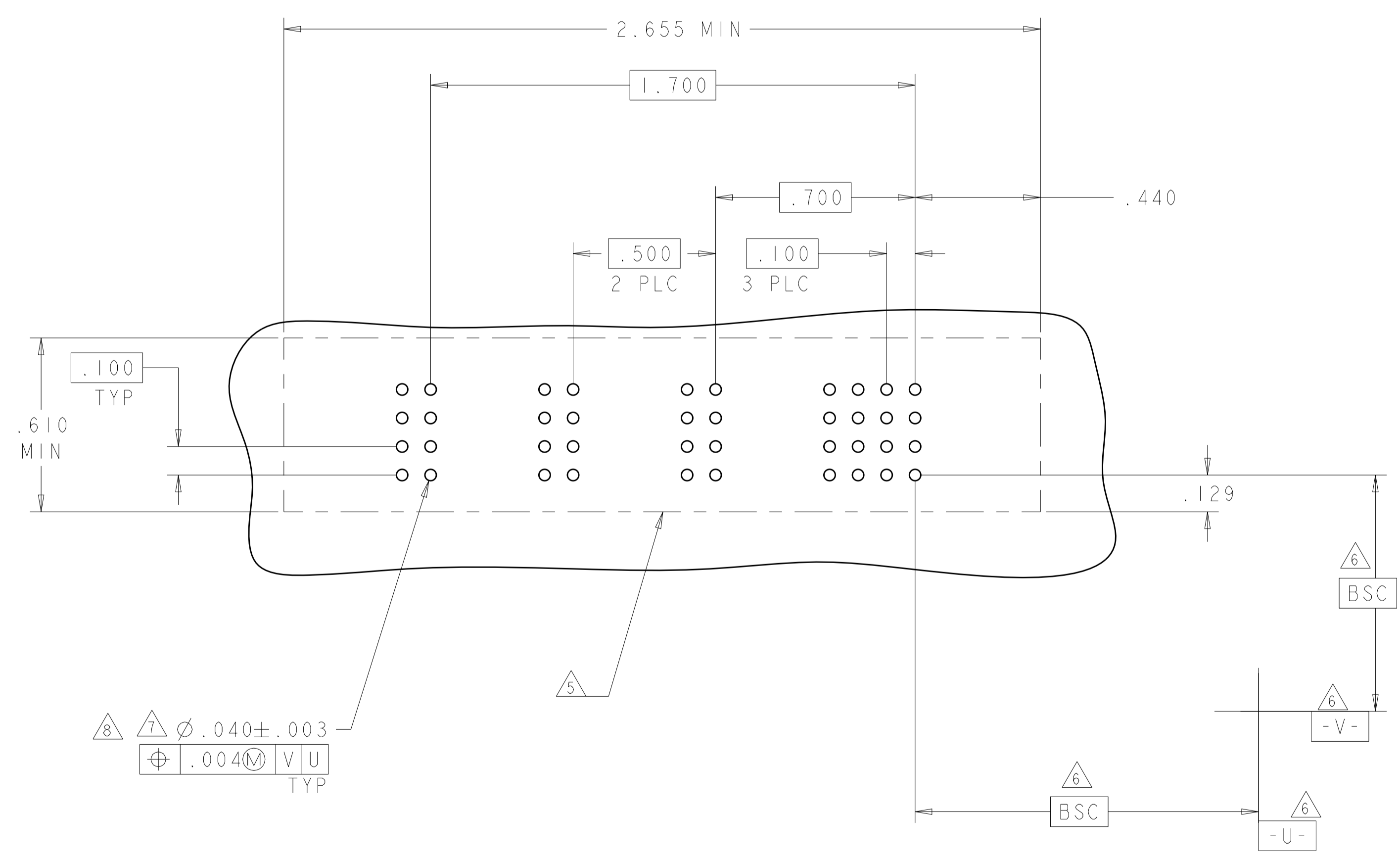
SIZE: A1  
 CAGE CODE: 100779  
 DRAWING NO: 6450551  
 SCALE: 2:1  
 SHEET: 7 OF 8  
 REV: H4

LOC		DIST		REVISIONS			
P	LTN	DESCRIPTION	DATE	OWN	APVD		
-	-	SEE SHEET 1	-	-	-		

PART NUMBER	ROWS	POWER						SIGNAL					
		P6	P5	P4	P3	P2	PI	4	3	2	1		
1-6450551-1	D C B A	GS	GS	GS	GP	GS	GS	AP	AP	AP	AP	AP	AP
16S + 6P								AP	AP	AP	AP	AP	AP

PART NUMBER	ROWS	POWER							SIGNAL						
		P7	P6	P5	P4	P3	P2	PI	6	5	4	3	2	1	
1-6450551-2	D C B A	GP	GS	GS	GP	GS	GS	GS	AP	AP	AP	AP	AP	AP	AP
24S + 7P									AP	AP	AP	AP	AP	AP	AP

NO CONTACTS LOADED



THIS DRAWING IS A CONTROLLED DOCUMENT.		OWN: LESSON, L.L. 02AUG2007	 TE Connectivity
DIMENSIONS: INCHES		CHK: SUNNY, ZHAO 02AUG2007	
TOLERANCES UNLESS OTHERWISE SPECIFIED:		APVD: STEVEN, YAO	NAME: VERTICAL RECEPTACLE ASSEMBLY WITH GUIDES, PRESS-FIT, MULTI-BEAM XL
0 PLC ±0.1		PRODUCT SPEC: 108-1973	SIZE: A1
1 PLC ±0.02		APPLICATION SPEC: 114-13038	CAGE CODE: 6450551
2 PLC ±0.005		WEIGHT: -	RESTRICTED TO: -
3 PLC ±0.0005		CUSTOMER DRAWING	SCALE: 2:1
ANGLES ±0.0005		FINISH: -	SHEET: 8 OF 8
FINISH: -		REV: H4	