

EdgeReady™ Micro Data Center



Compact Floor-Standing, 15U Usable, 1.5 kVA, 120V

Benefits

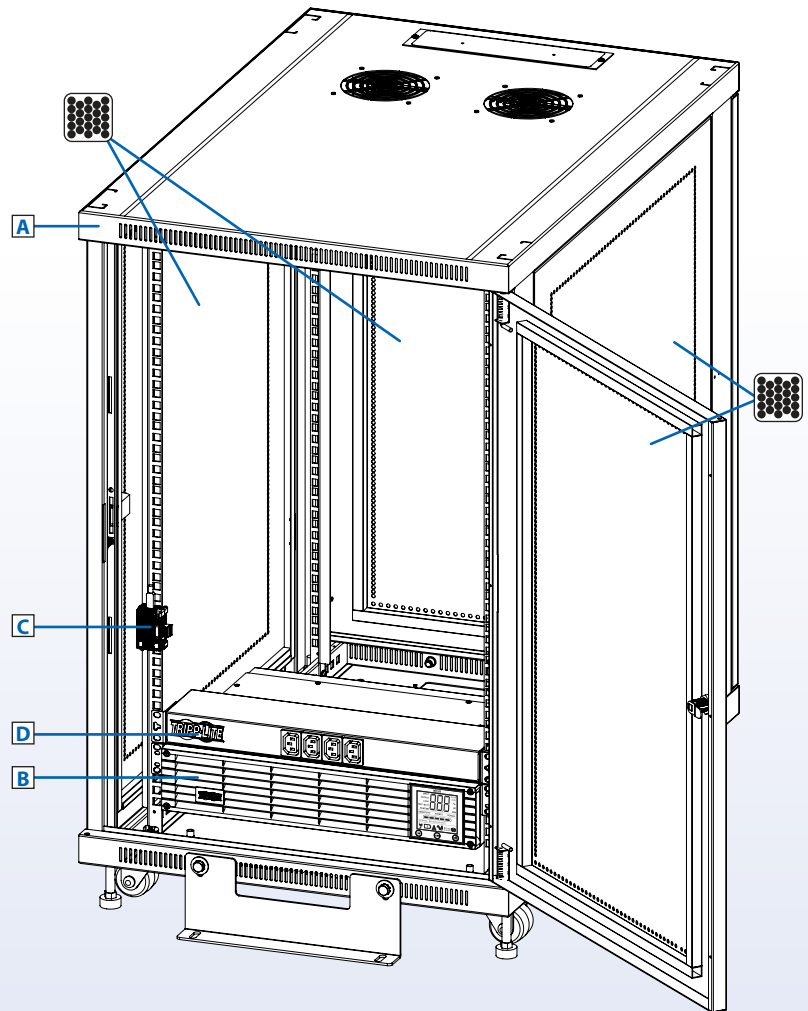
- Provides preconfigured IT infrastructure for edge computing servers, storage and network hardware in space-limited locations
- Integrates secure rack space, reliable power distribution, expandable battery backup, remote management and passive cooling
- Prevents configuration errors, reduces installation time, decreases field costs and standardizes edge computing infrastructure
- Ships three business days from receipt of order, after design, assembly and testing by experts in a controlled environment

Included Hardware

- A** **SR18UB** Compact Rack Enclosure (Standard Width)
- B** **SMART1500RMLN** SmartPro® UPS System with Pre-Installed **WEBCARDLX** Network Management Card
- C** **E2MTHDI** Environmental Sensor (Temperature/Humidity/Digital Inputs)
- D** **PDUMH15-6** Metered PDU

Also includes (15) 1U blanking panels with toolless mounting. Assembled/tested unit includes reinforced shock pallet and loading ramps for stable shipment and reshipment with installed IT equipment. Kit version includes major components ready for final assembly on-site.

See Next Page for Customization Options



Specifications

Model (Kit)	MDK1F15UPX00000
Model (Assembled/Tested)	MDA1F15UPX00000
Output Power Capacity	1.5 kVA/1.35 kW/11.25A Max
Rack Space	18U Total; 15U Usable
Weight Capacity	1000 lb. (453 kg) Total; 837 lb. (380 kg) Usable
Maximum Device Depth	32.5 in. (826 mm)
Site Power Requirements	120V, 15A, 60 Hz
Site Outlet Required	NEMA 5-15R
UPS Type	Line-Interactive with Sine Wave Output
Runtime (50%/100% Load)	14/4.9 min. (Expandable with 1.2 kW Limit)
High-Availability Features	Automatic Voltage Regulation (AVR); Battery Backup; Hot-Swappable Batteries
Usable Outlets (UPS + PDU)	(20) NEMA 5-15R
Dimensions (Assembled)	35.6 x 23.63 x 33.5 in. (904 x 600 x 851 mm)
Weight (Assembled)	163 lb. (74 kg)
Warranty*	2-Year Limited Warranty (Extendable)

* Any component with a warranty longer than 2 years will be covered by the longer warranty.

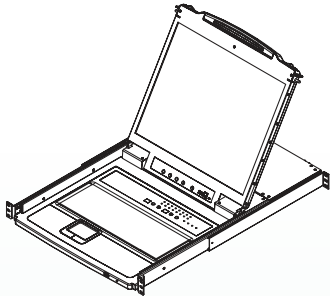


Powering and Connecting Your World

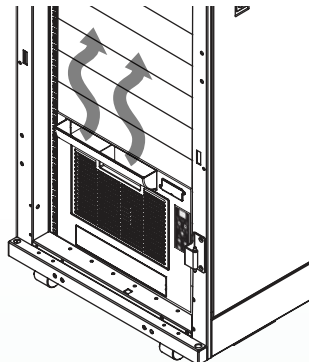
Unlimited Micro Data Center Customization

Tripp Lite's solutions team is standing by to help you tailor your EdgeReady micro data center to match the business and technology requirements of your edge deployment strategy. We ship custom solutions in as little as five business days, assembled and tested. We can help you customize your EdgeReady micro data center in several ways:

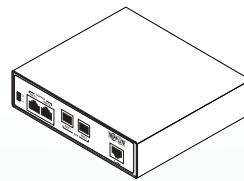
- Quick and easy customization via add-on accessories for the stock configurations
- Upgrades to included components of stock configurations with ready-to-ship alternatives
- Customization of individual components like racks, PDUs and cables (increases lead time)



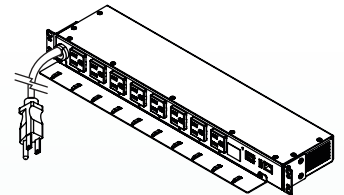
B022-U16-IP
1U Rack Console
with 16-Port KVM Switch
and Remote Access



SRCOOL7KRM
8U Rack-Mount
Air Conditioning Unit (2 kW)



B093-008-2E4U-M
8-Port Console Server
with Built-in Modem for
Fail-Safe Access



PDUMH15NET2LX
1U Switched PDU
with Remote Current
Monitoring, Alerts and
Outlet Control

Optional Accessories, Sold Separately (Visit tripplite.com to see the full selection.)

Switched PDU	PDUMH15NET2LX with (8) NEMA 5-15R; 1U (Replaces standard PDU.)
Battery Packs for Extended Runtime (50%/100% Load)	59/23 min. with BP36V15-2U (Limit 1); 85/34 min. with BP36V27-2US ; 177/73 min. with BP36V42-3U
Cooling	SRCOOL7KRM (2 kW; 8U Rack-Mount, NEMA 5-15P) or SRCOOL12K (3.5 kW; Portable; NEMA 5-15P)
KVM Switch	B022-U16-IP ; B020-U16-19-IP (With LCD Console)
Console Server	B093-008-2E4U-M
Door Monitoring Kit	SRSWITCH (Monitors front/rear doors.)
Airflow Management	SR1UBRUSH
Cable Managers	40+ Horizontal, Vertical and External Cable Management Options at tripplite.com
Power Cords	Match to IT Equipment; 250+ Power Cord Options at tripplite.com
Network Cables	Match to IT Equipment; 1000+ Copper and Fiber Network Cable Options at tripplite.com
Patch Panels	60+ Copper and Fiber Patch Panel Options at tripplite.com
Additional Sensors	E2MT (Connect up to 3 sensors total per WEBCARDLX to monitor top/middle/bottom temperature.)

1111 W. 35th Street, Chicago, IL 60609 USA | 773.869.1236 | tripplite.com



Powering and Connecting Your World