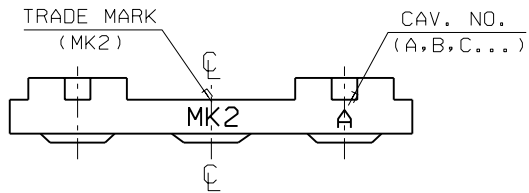
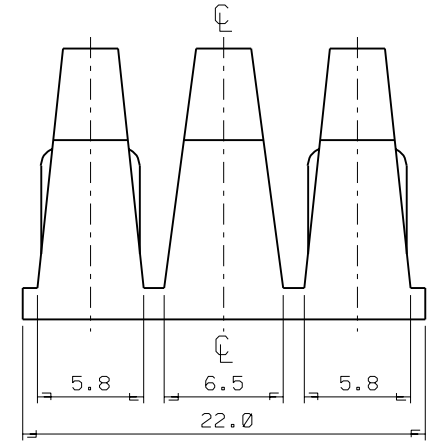
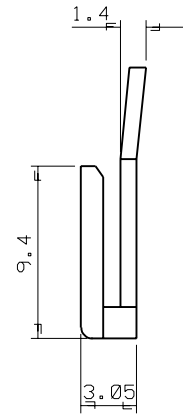
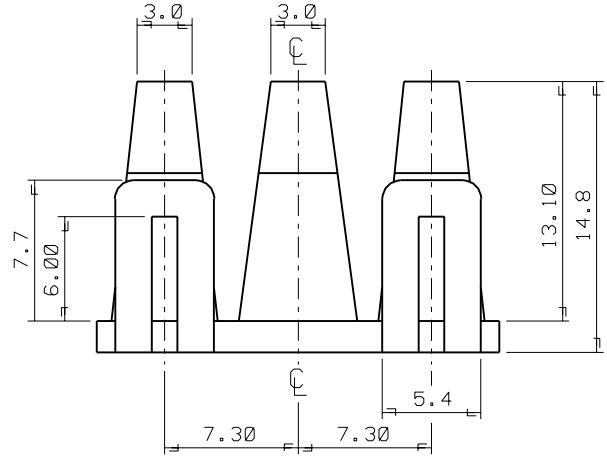
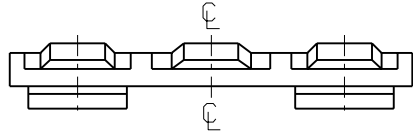
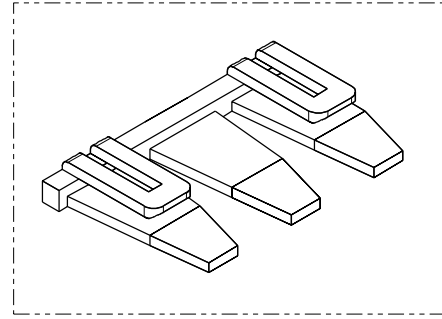


PROJECT NO. .070 W/W CONN'
 SIMILAR ITEM
 EDP NO.
 ENG. NO SD 35150-039*

NOTES

- MATERIAL : NYLON 66 (UL94V-2)
- COLOR : 35150-0390 (NATURAL)
 35150-0392 (RED)
 35150-0393 (YELLOW)
 35150-0394 (BLUE)
- MATCHED HOUSING : 35150-030*/031*
 35151-031*
 35150-060*/061*
 35151-061*



| | | | | | | | |
|---------------------------|-----------------|--------|----------|--------------------------|--|----------------------------|--|
| | | | | MATERIAL SEE NOTES | | molex MOLEX-KOREA CO.,LTD. | |
| | | | | GENERAL TOLERANCE | | DRAWN BY J.S.KANG | |
| | | | | DIMENSION : 0.3 | | CHK'D BY | |
| | | | | ANGLE : 1° | | APP'D BY | |
| B | REVISED | 95-127 | 95-11-22 | DIMENSION CLASSIFICATION | | SCALE 4/1 | |
| A | NEW RELEASED | | 92-9-14 | ▽ : CRITICAL ▼ : MAJOR | | TITLE: | |
| | | | | () : REFERENCE | | 7.3 PITCH W/W CONN' | |
| LTR | REVISION RECORD | ECN | DATE | ASS'Y PART | | SHEET | |
| | | | | DESCRIPTION ENG. NO. | | 1 OF 1 | |
| REVISE ONLY ON CAD SYSTEM | | | | --- | | ENG. NO. | |
| | | | | | | SD 35150-039* | |
| | | | | | | REV B | |