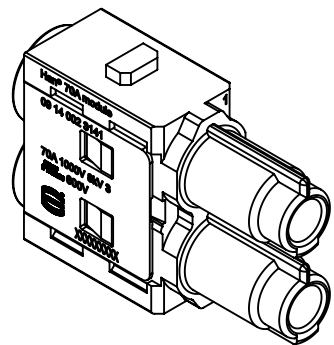
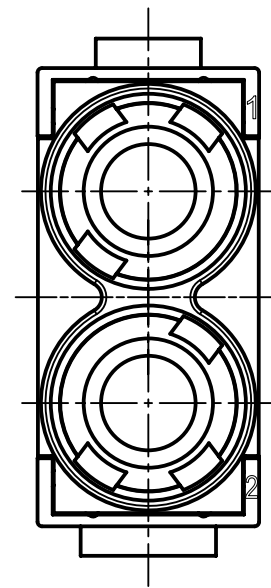
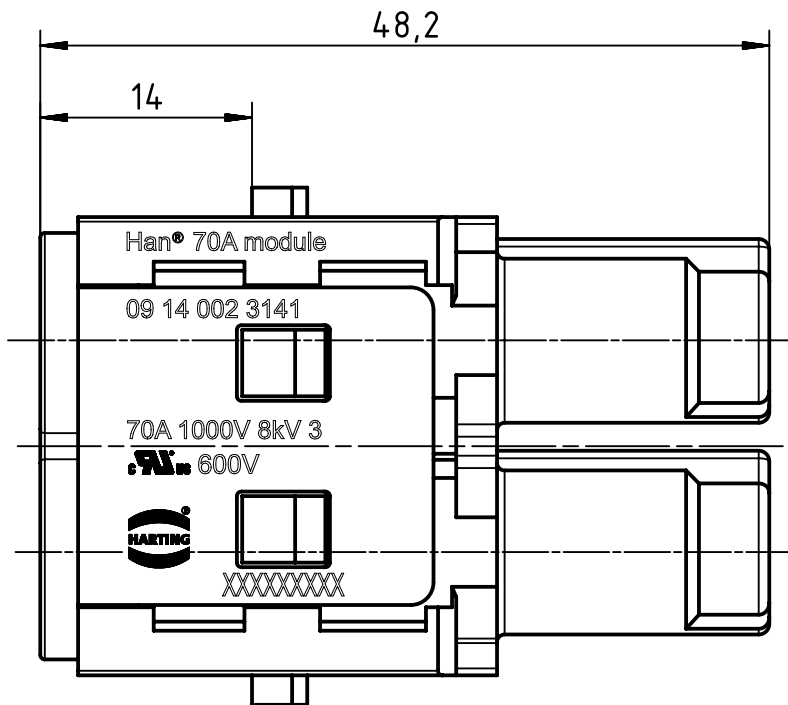
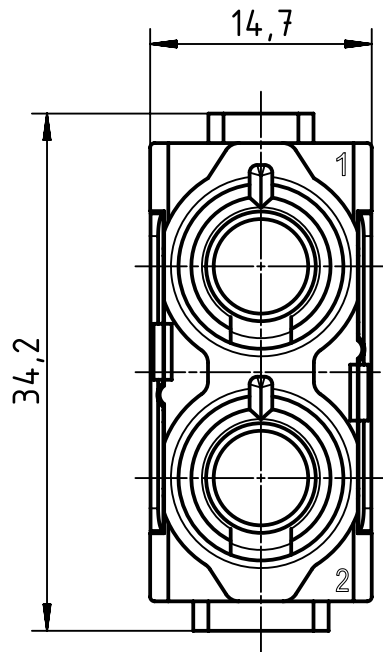
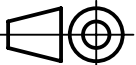



1 2 3 4 5 6

A
B
C
D



 All Dimensions in mm Original Size DIN A4	Scale	Free size tol.			Ref.
	2:1				Sub.
 All rights reserved Department EL PD	Created by	Inspected by	Standardisation	Date	State
	SPRENB	NICHTERLEIN	SCHMIDTM	2018-09-06	Final Release
HARTING Electric GmbH & Co. KG D-32339 Espelkamp	Title			Doc-Key / ECM-Nr.	
	Han 2Mod-F-c			100196395/UGD/004/F 500000139331	
Type		Number		Rev.	Page
TB		09 14 002 3141		F	1/1