

SACC-FP-M-M12-SMD PP - Housing screw connection



1107999

<https://www.phoenixcontact.com/us/products/1107999>

Please be informed that the data shown in this PDF document is generated from our online catalog. Please find the complete data in the user documentation. Our general terms of use for downloads are valid.

Housing screw connection, Front mounting, SMD



Your advantages

- Manufacturer-independent M12 push-pull locking system for maximum availability
- Easy and quick cabling of devices and systems in hard-to-reach areas
- Easy device integration, thanks to mechanical port screw connections with threaded fastening
- Flexible PCB assembly: two-piece connectors for wave and THR soldering

Commercial data

Item number	1107999
Packing unit	1 pc
Minimum order quantity	20 pc
Sales key	AB23
Product key	ABQBAB
GTIN	4063151011475
Weight per piece (including packing)	8.77 g
Weight per piece (excluding packing)	8.77 g
Customs tariff number	79070000
Country of origin	DE

SACC-FP-M-M12-SMD PP - Housing screw connection



1107999

<https://www.phoenixcontact.com/us/products/1107999>

Technical data

Notes

General	The electrical and mechanical data specified assume that the connector pair is correctly locked and mounted. If the connector is unlocked and if there is a danger of contamination, the connector must be sealed using a protective cap > IP54. Influences arising from litz wires, cables or PCB assembly must also be taken into consideration.
General	If necessary, order locking nut separately

Product properties

Product type	Panel mounting base
Thread type	M12

Material specifications

Material	Brass, nickel-plated
Flammability rating according to UL 94	V0
Material of grip body	Brass, nickel-plated
Material for screw connection	Brass, nickel-plated

Environmental and real-life conditions

Ambient conditions

Degree of protection (when plugged in)	IP67 (correctly plugged in and locked)
Degree of protection	IP67 (correctly plugged in and locked) IP67, when in locked state
Ambient temperature (operation)	-25 °C ... 85 °C (Plug / socket) -40 °C ... 85 °C (without mechanical actuation)

Standards and regulations

M12

Standard designation	M12 connector
Standards/specifications	IEC 61076-2-010
Note	Push-pull

Mounting

Mounting type	Front mounting
Connection method	SMD

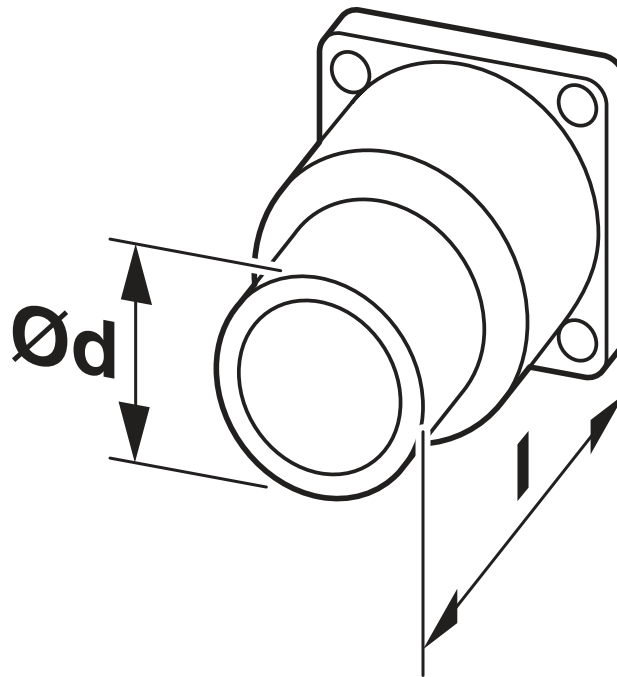
SACC-FP-M-M12-SMD PP - Housing screw connection

1107999

<https://www.phoenixcontact.com/us/products/1107999>

Drawings

Dimensional drawing



Technical drawings can be found under Downloads

SACC-FP-M-M12-SMD PP - Housing screw connection



1107999

<https://www.phoenixcontact.com/us/products/1107999>

Classifications

ECLASS

ECLASS-11.0	27440224
ECLASS-12.0	27440224
ECLASS-13.0	27440224

UNSPSC

UNSPSC 21.0	39121400
-------------	----------

SACC-FP-M-M12-SMD PP - Housing screw connection



1107999

<https://www.phoenixcontact.com/us/products/1107999>

Environmental product compliance

China RoHS	Environmentally friendly use period: unlimited = EFUP-e
	No hazardous substances above threshold values

Phoenix Contact 2023 © - all rights reserved
<https://www.phoenixcontact.com>

Phoenix Contact USA
586 Fulling Mill Road
Middletown, PA 17057, United States
(+717) 944-1300
info@phoenixcon.com