

J
56

CONFIDENTIAL. THE INFORMATION CONTAINED IN THIS DOCUMENT IS THE PROPERTY OF COOPER INDUSTRIES, INC. IT IS NOT FOR PUBLIC DISCLOSURE. POSSESSION OF THE INFORMATION DOES NOT CONVEY ANY RIGHT TO LOAN, SELL OR DISCLOSE THE INFORMATION. UNAUTHORIZED REPRODUCTION OR USE OF THE INFORMATION IS PROHIBITED. THIS DOCUMENT IS TO BE RETURNED TO COOPER INDUSTRIES, INC. UPON COMPLETION OF THE PURPOSE FOR WHICH IT IS LOANED OR UPON REQUEST.
 COPYRIGHT Cooper Industries, Inc. This is an unpublished work. The disclosure of this work is limited to select personnel. Further dissemination or disclosure to the public is PROHIBITED. This unpublished work is protected by Federal Copyright law and all rights thereunder are reserved by Cooper Industries, Inc.

SCALE 1x
 UNLESS OTHERWISE SPECIFIED TOLERANCES TO BE:
 METRIC ±.13mm
 INCHES ±.005"
 ANGULAR ±2°

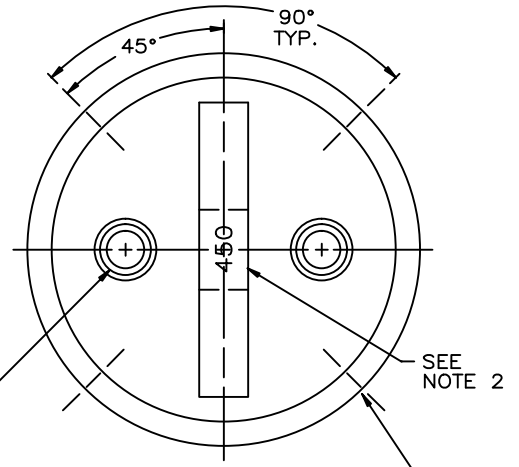
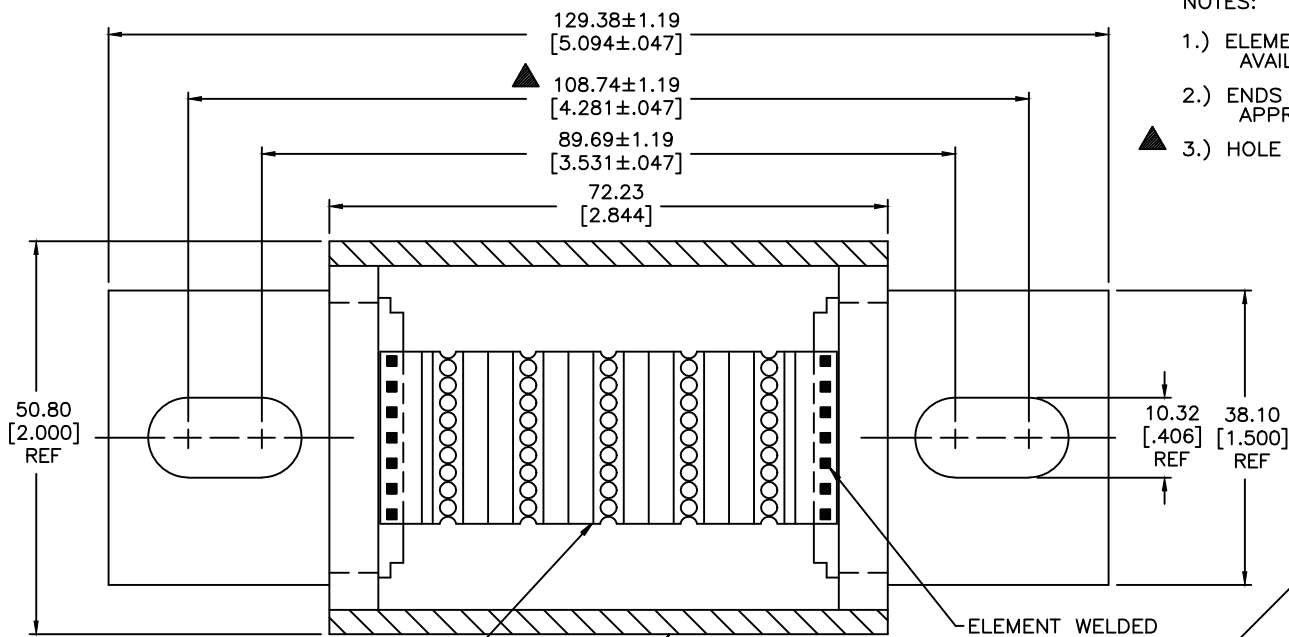
(2) INDICATES CRITICAL DIMENSION OR FEATURE
 THIRD ANGLE PROJECTION

C/F NO. 66464

INCHES (OR U.S. UNITS) IS THE PRIMARY UNIT OF MEASURE METRIC(mm) [INCHES]

NOTES:

- ELEMENTS ARE TO BE CENTERED WITHIN THE AVAILABLE WELDING SURFACE OF THE TERMINAL.
- ENDS OF TERMINALS STAMPED WITH APPROPRIATE AMP RATING.
- HOLE DIAMETER: $2.39 \pm .05$, HOLE DEPTH: $8.51 \pm .25$
 $[\ .094 \pm .002]$, $[.335 \pm .010]$



CAP #1A6226 (2 USED—THIS END ONLY)
 HOLDING PINS #1A6461 (4 EACH END 90° APART) (SEE NOTE 3)

AMP RATING	ELEMENT ASSY.NO.	QTY. USED
450	1A5146-04	2
500	1A5146-05	2
600	1A5146-07	2

FUSE TUBE MARKING PER PROCEDURE #1P1594.
 PACKAGING SPECIFICATION #1P0370

