

**Operating Temperature Range**

-25° to 70° C , relative humidity of 85% or less

**Materials**

- 1. Tip contact: C5191 phosphor bronze, 2 µm nickel plated
- 2. Ring contact: C5191 phosphor bronze, 2 µm nickel plated
- 3. Ring contact: C5191 phosphor bronze, 1 µ" gold plated
- 4. Sleeve contact: C5191 phosphor bronze, 2 µm nickel plated
- 5. Shell: C2700 brass, 2 µm nickel plated
- 6. Top head: C3604 brass, 2 µm nickel plated
- 7. Insulator: POM, black

**Electrical Requirements**

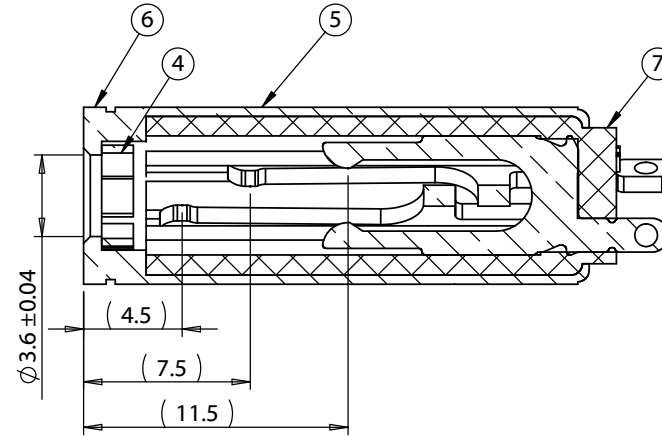
Dielectric strength: 1 min @ 500 Vac  
 Insulation resistance: 100 MΩ @ 500 Vdc  
 Contact resistance: 50 mΩ or less

**Mechanical Requirements**

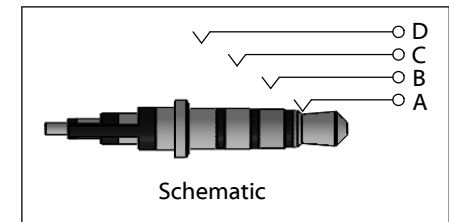
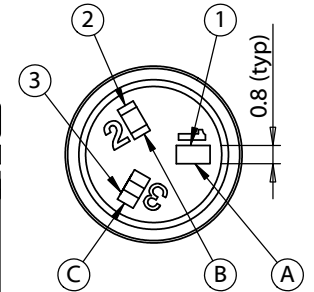
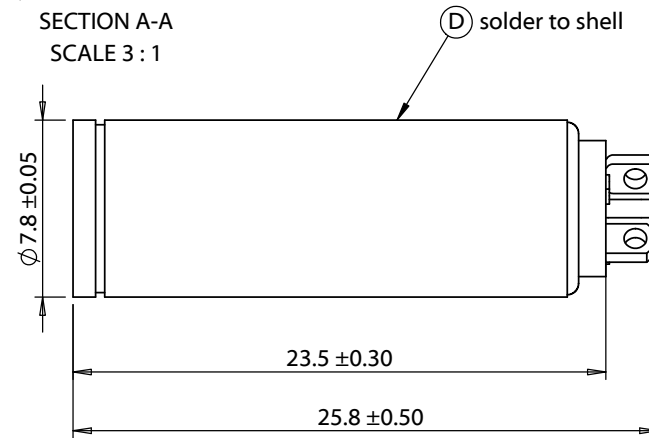
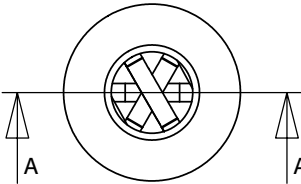
Insertion force: 0.4-4 kgf  
 Withdrawal force: 0.4-4 kgf  
 Life cycle: 5000 mating cycles while maintaining 0.3 kgf min. insertion force, 0.3 kgf min. withdrawal force and less than 60 mΩ contact resistance.

**Environmental Requirements**

Heat test: 70 °C, relative humidity 70-85% for 96 hours without deformation  
 Humidity test: 40 °C, relative humidity 90-100% for 96 hours without deformation  
 Salt spray test: 35±2 °C, relative humidity 90-95%, 5% NaCl mist for 24 hrs. Wash parts after test. Maintain mechanical requirements and a contact resistance of less than 100 mΩ.



SECTION A-A  
SCALE 3 : 1



Revision:	Date:	Description:
A	9/4/2009	Initial release
A1	5/7/2012	Updated drawing
A2	3/1/2013	Corrected description

Prepared: GL 2016.08.15 15:40:27 -07'00'
Verified: PS <small>Digitally signed by PS Date: 2016.08.15 17:00:37 -07'00'</small>
Dimensions are in millimeters. Tolerances: X: ± 0.5 mm X.X: ± 0.3 mm X.XX: ± 0.05 mm

Notes: RoHS and REACH compliant
Function test: no open, no short circuit, no intermittent
Description: Connector, 4C audio jack, 3.5x7.8xL25.8 mm, brass, nickel plated, molding style

**TENSILITY**

tel 1.541.323.3228 800 877.670.7118  
fax 1.541.323.4202 web tensility.com

Size: A	Part number: 50-00041
Scale: 5:1	

Sheet 1 of 1