

Cornell Dubilier

Cornell Dubilier Marketing, Inc
Liberty, South Carolina
TEL: 864-843-2277 FAX:864-843-3800

Engineering

Catalog Number: 401R153U020AA9

Customer Part Number: None

Datasheet No. 7961

Date: 12/20/04

Capacitance: 15000 μ F

Tolerance: -10% +75%

Working Volts: 20 VDC

Surge Volts: 30 VDC

Leakage Current @ 25°C: 600 μ A

ESR @ 120Hz @ 25°C: 0.018 Ω max.

Ripple Current @ 120Hz, 85°C: 6.6 A

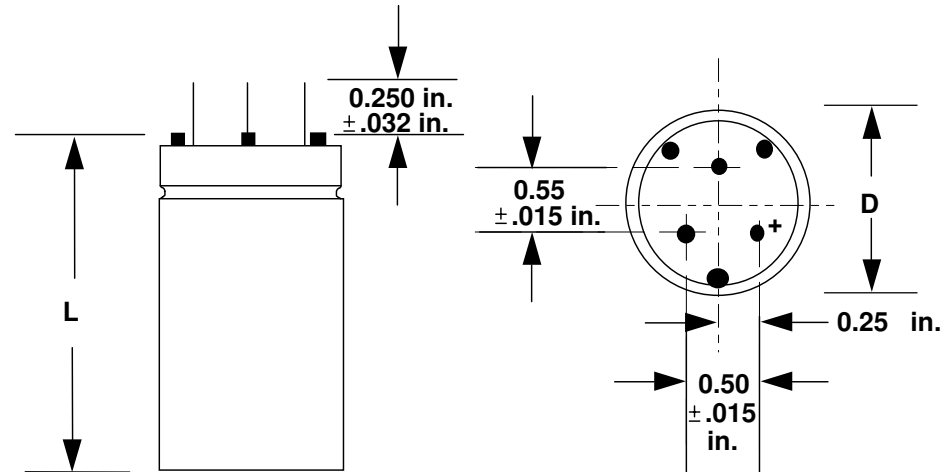
Diameter (D): 34.93 \pm 0.78 mm

Length (L): 57.17 \pm mm max.

Lead Diameter: 14 AWG

Insulation: Polyester

Operating Temperature: - 55 °C to + 105 °C



“Controlled Copy” if viewed on CD Server or if copy is stamped in Red, Otherwise considered as an “Uncontrolled Copy”