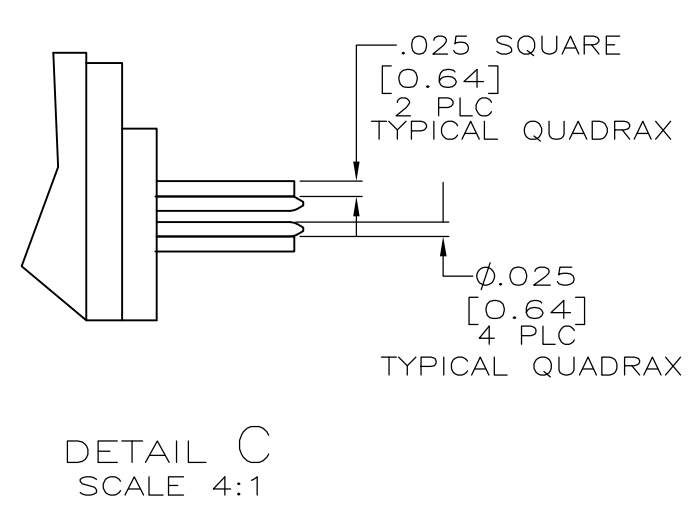
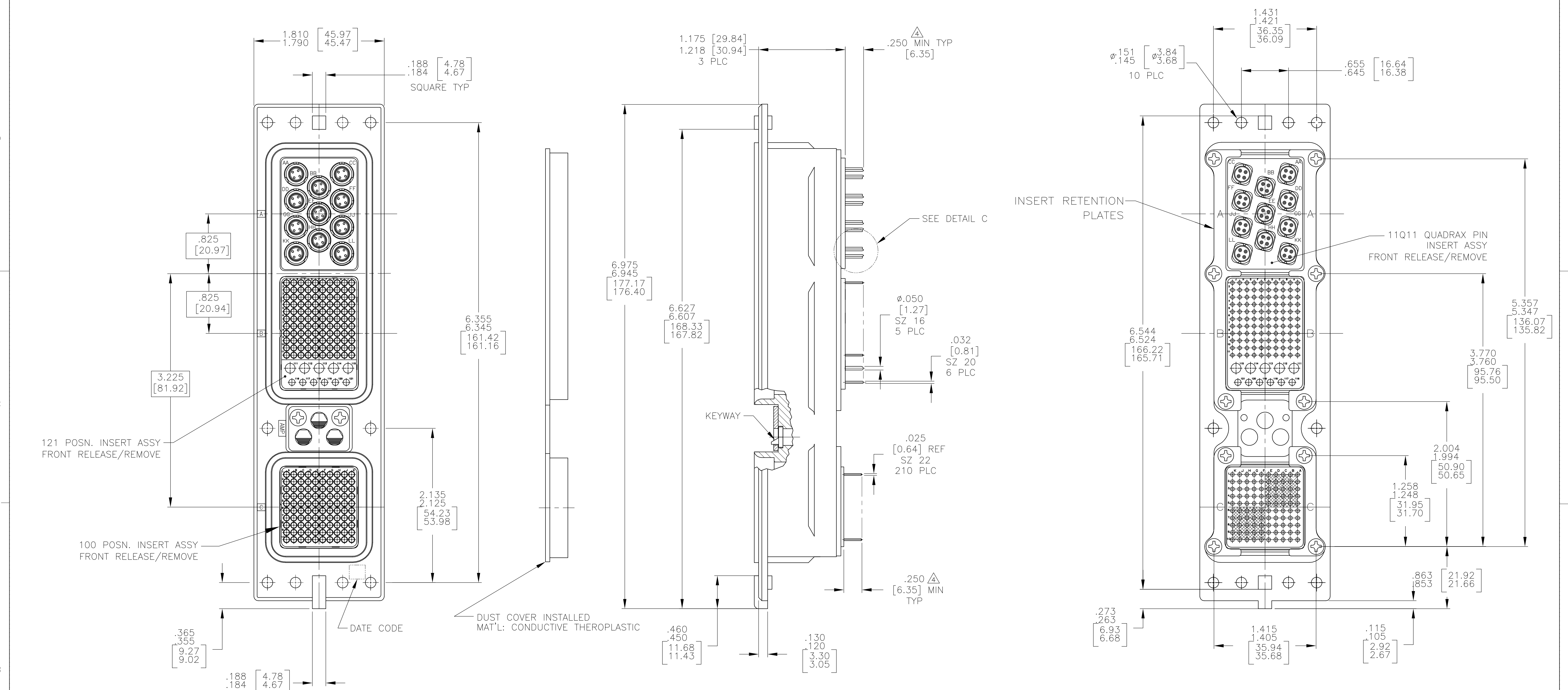


LOC	DIST	REV	DESCRIPTION	DATE	OWN	APVD
DF	AO	A	RELEASED FOR PRODUCTION	5-8-08	CT	KT



COMPONENT	MATERIAL	FINISH
SHELL	DIE CAST ALUMINUM PER ASTM-B-85	ELECTROLESS NICKEL PER MIL-C-26074, CLASS 3 OR 4, GRADE B
RETENTION PLATES	ALUMINUM ALLOY PER ASTM-B-209	ELECTROLESS NICKEL PER MIL-C-26074, CLASS 3 OR 4, GRADE B
SCREWS AND LOCKWASHERS	STEEL OR STAINLESS STEEL	CHROMATE OVER ZINC OR PASSIVATED
KEYWAY	ZINC ALLOY PER ASTM-B-86	-
KEYWAY RETAINING PLATE	ALUMINUM ALLOY PER ASTM-B-209	BLUE ANODIZED PER MIL-A-8625
121 & 100 POSN. INSERTS	THERMOSET	-
QUADRAX INSERT	ALUMINUM ALLOY PER ASTM-B-209	ELECTROLESS NICKEL PER MIL-C-26074, CLASS 3 OR 4, GRADE B

"00"	MODULE A: SIZE 8 QUADRAX: 1445626-4 (QTY=11)	1996697-1
	MODULE B: SIZE 22 POSTED SKT CONTACT: 211431-4 (QTY=110) SIZE 20 POSTED PIN CONTACT: 1-448138-5 (QTY=6) SIZE 16 POSTED PIN CONTACT: 1-448139-1 (QTY=5)	
KEYING POSITION	MODULE C: SIZE 22 POSTED SKT CONTACT: 211431-4 (QTY=100)	CONTACTS INCLUDED AND INSTALLED

- CONNECTOR DIMENSIONS ARE PER ARINC 600 SPECIFICATION UNLESS OTHERWISE SPECIFIED.
- CONNECTOR IS SUPPLIED WITH CONTACTS (PER TABLE) ASSEMBLED AS SHOWN.
- KEYING SHOWN IN POSITION "01" FOR REFERENCE ONLY. SEE TABLE FOR KEYING POSITION. FOR POSITION "00" KEYING SHIPPED UNASSEMBLED.
- WITH CONTACT FULLY SEATED TO REAR OF CAVITY.
- CONTACTS NOT SHOWN IN MODULE B & C FRONT AND REAR VIEWS FOR CLARITY.

THIS DRAWING IS A CONTROLLED DOCUMENT.		DWN: C.C.THOMAS 4-29-08	Tyco Electronics Corporation
DIMENSIONS: INCHES [mm]		CHK: K.THACKSTON 4-29-08	Harrisburg, Pa 17105-3608
TOLERANCES UNLESS OTHERWISE SPECIFIED:		APP'D: K.THACKSTON 4-29-08	NAME: RCPT ASSY, SIZE 2, ARINC 600 (11Q11/121/100)
0 PLC ± -	1 PLC ± -	PRODUCT SPEC	SIZE: A1
2 PLC ± -	3 PLC ± .002 [0.05]	APPLICATION SPEC	CAGE CODE: 00779
4 PLC ± -	ANGLES ± -	WEIGHT: -	DRAWING NO: 1996697
MATERIAL: SEE TABLE	FINISH: SEE TABLE	CUSTOMER DRAWING	RESTRICTED TO: -
SCALE: 3:2		SHEET: 1 OF 1	