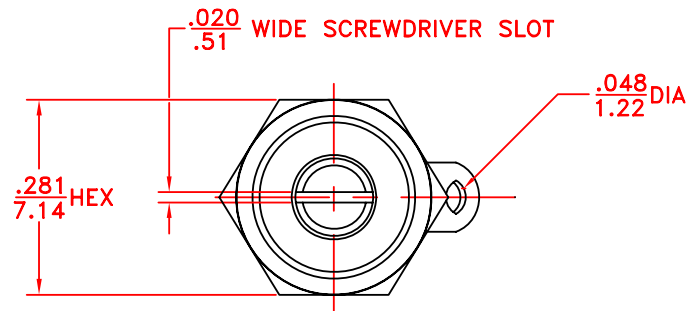
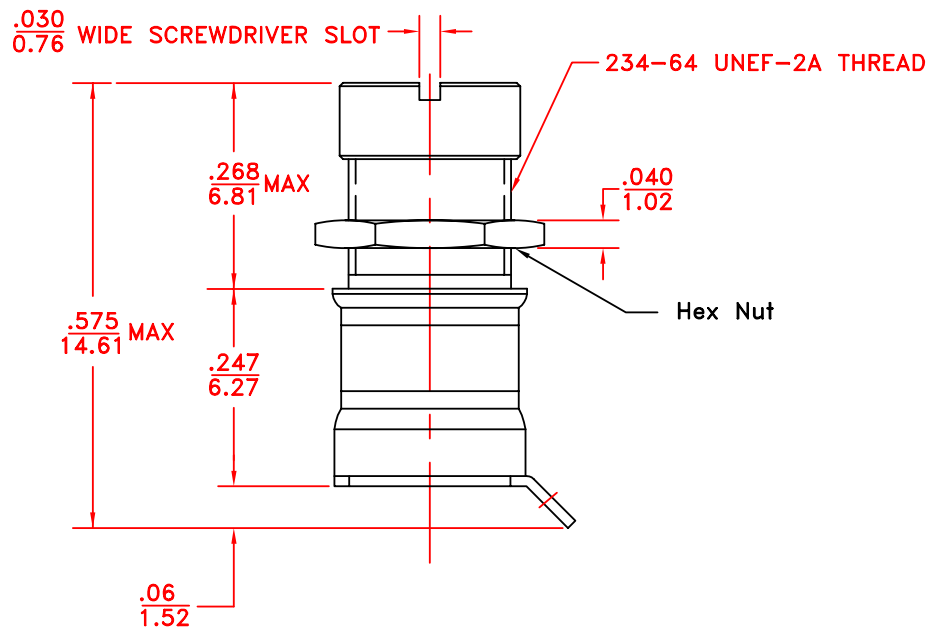


| REV | DESCRIPTION | DATE     | APP  |
|-----|-------------|----------|------|
| 00  | NEW DRAWING | 08/01/12 | D.D. |



VIEW WITHOUT SEAL CAP



NOTES:

1. Cmax over 20 pF
2. Cmin below 2.0pF
3. Working voltage 1000 VDC
4. Withstanding voltage 2000 VDC
5. Q @ Cmax and 100 MHZ over 2000
6. Operating temperature -65° C to +125° C
7. Torque .5 to 5.0 oz-in
8. Rotational life 10,000 turns
9. Dimensions: ( in/mm )
10. Construction: nonmagnetic

|                                   |  |                                    |  |  |  |                         |  |
|-----------------------------------|--|------------------------------------|--|--|--|-------------------------|--|
| TOLERANCES:<br>(EXCEPT AS NOTED)  |  |                                    |  | SPRAGUE GOODMAN ELECTRONICS INC.<br>1700 SHAMES DRIVE WESTBURY, NY 11590 |  |                         |  |
| DECIMAL:<br>±0.005 in<br>±0.13 mm |  | MATERIAL:                          |  | SCALE:<br>4:1  |  | DRAWN BY: R. LEVIN      |  |
| FRACTIONAL:<br>1/64               |  | TITLE: OUTLINE DWG<br>SGNMA3T20002 |  |  |  | APPROVED: D. DITLYA     |  |
| ANGULAR:<br>1°                    |  | DATE:<br>08/01/12                  |  | DRAWING NUMBER<br>SGNMA3T20002   |  | USED FOR:<br>REV.<br>00 |  |