

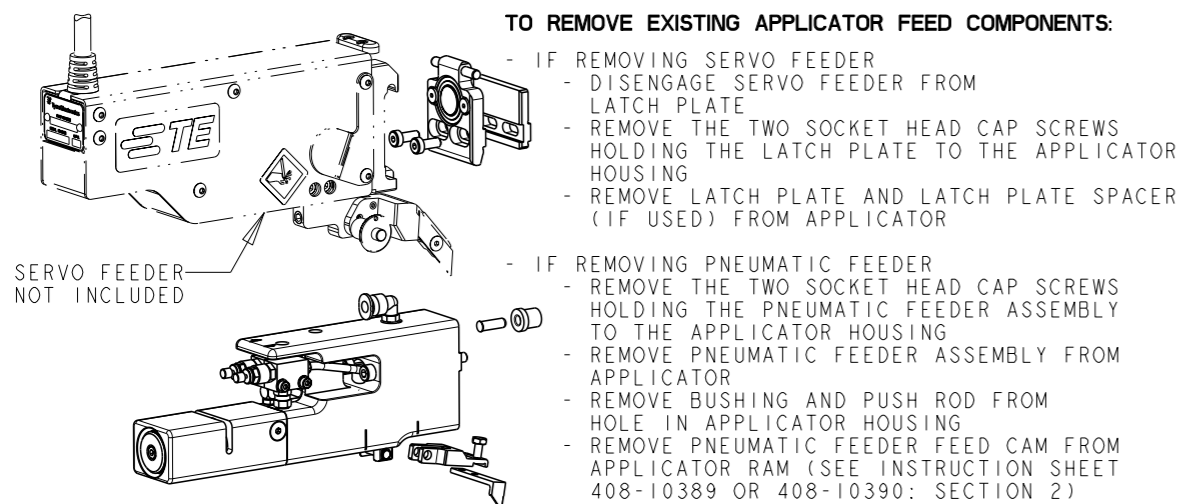
THIS DRAWING IS UNPUBLISHED. RELEASED FOR PUBLICATION 20
 © COPYRIGHT 20 BY - ALL RIGHTS RESERVED.

PART NUMBER	REV	FIRST USED
2119949-1	D	-

LOC	DIST	REVISIONS				
P	LTR	DESCRIPTION	DATE	DWN	APVD	
A	00					
	B	ECR-11-009990	12MAY2011	BW	TE	
	D	ECR-11-015447	26JUN2011	BW	TE	

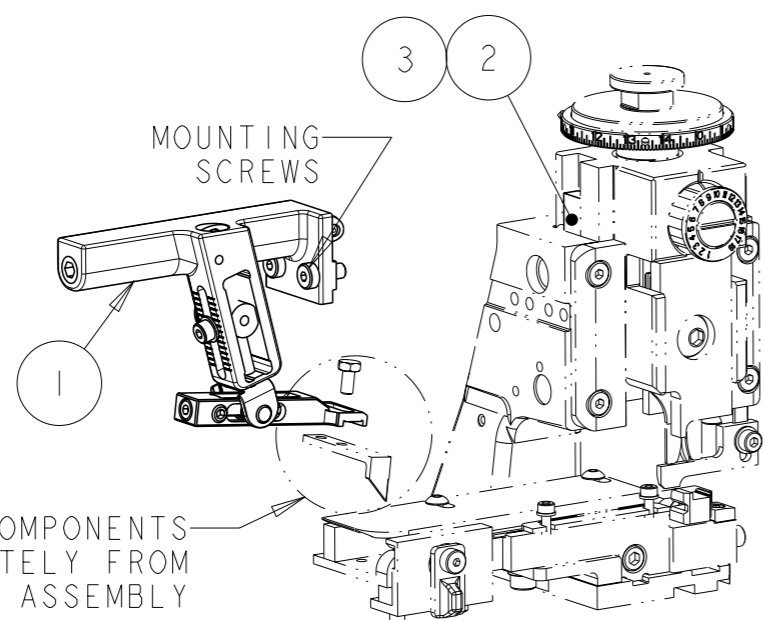
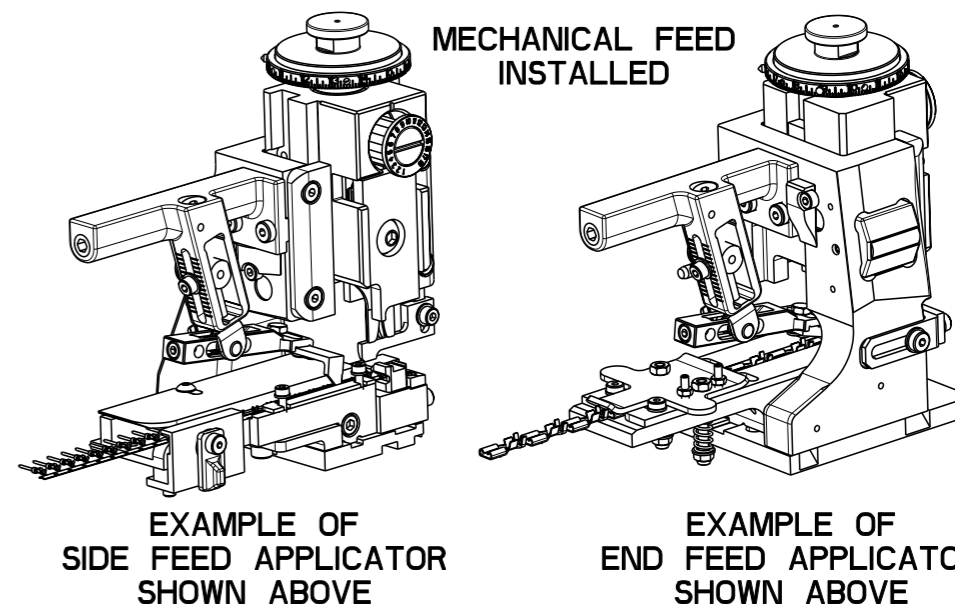
FEED CONVERSION INSTRUCTIONS:

TO REMOVE EXISTING APPLICATOR FEED COMPONENTS:



INSTALLING NEW APPLICATOR FEED COMPONENTS:

- INSTALLING MECHANICAL FEEDER
 - INSTALL MECHANICAL FEEDER FEED CAM ONTO APPLICATOR RAM (IN PROPER POSITION AS REFERENCED ON APPLICATOR ASSEMBLY DRAWING) AND PLACE OTHER FEED CAM IN SPARE STORAGE LOCATION (SEE INSTRUCTION SHEET 408-10389 OR 408-10390; SECTION 2)
 - PLACE MECHANICAL FEEDER ASSEMBLY ON KEY SLOT OF APPLICATOR HOUSING
 - INSTALL THE TWO SOCKET HEAD CAP SCREWS THAT HOLD THE MECHANICAL FEEDER ASSEMBLY TO THE APPLICATOR HOUSING
 - REFER TO INSTRUCTION SHEET 408-10389 OR 408-10390; SECTION 5 FOR PROPER ADJUSTMENT PROCEDURES.



SEE APPLICATOR STYLE CONVERSION CHART ON APPLICATOR ASSEMBLY DRAWING FOR ITEMS THAT ARE REQUIRED IN ADDITION TO RETROFIT KIT COMPONENTS

1	-	2119949	PRINT, RETROFIT KIT, MECHANICAL FEED	4
2	-	18023-9	SCR, SKT HD CAP M4 x 6.0	3
1	-	2119652-1	FEED CAM, PRE FEED	2
1	-	2119580-1	MECHANICAL FEED ASSEMBLY	1
-1	U/M	PART NO	DESCRIPTION	ITEM NO

THIS DRAWING IS A CONTROLLED DOCUMENT.		DWN B. WEAVER 05NOV2010	TE Connectivity	
DIMENSIONS: mm		CHK A. WILL 05NOV2010		
TOLERANCES UNLESS OTHERWISE SPECIFIED:		APVD D. PFAUTZ 05NOV2010	NAME RETROFIT KIT, MECHANICAL FEED	
0 PLC ±-		PRODUCT SPEC -	-	
1 PLC ±-		APPLICATION SPEC -	-	
2 PLC ±-		WEIGHT -	SIZE A3	CAGE CODE 00779
3 PLC ±-		CUSTOMER ACCESSIBLE PRODUCTION DRAWING	DRAWING NO C-2119949	RESTRICTED TO -
4 PLC ±-			SCALE 2:5	SHEET 1 OF 1
ANGLES ±-				
FINISH -				