

Directive 2002/95/EC  
 „RoHS“  
 Compliant

**NOTES:**

1. METALSHELLS: STEEL; min. 315µin TIN over 40-80µin NICKEL
2. INSULATORS: PBT GF UL 94 V-0, BLACK
3. CONTACTS: COPPER ALLOY  
 PLATING: 8µin HARD GOLD over min. 50µin NICKEL
4. METAL BRACKET: ZINC DIE CAST; 300µin COPPER/40-120µin NICKEL/120-200µin TIN
5. THREADED LOCK: COPPER ALLOY; min. 200µin TIN over 80µin NICKEL
6. FIXING PLATE: PBT GF UL 94 V-0, BLACK
7. PCB-SNAP: COPPER ALLOY; min. 200µin TIN over 80µin NICKEL  
 PCB-HOLE:  $\varnothing 3,1 \pm 0,1$ mm; PCB-THICKNESS: 1,6mm
8. P.C.B. HOLE DRILLINGS ON SHEET 2
9. MAXIMUM TORQUE VALUE FOR THREAD: 6 in.LB
10. CONNECTOR IS PART MARKED: 164A20099X CONEC ABC

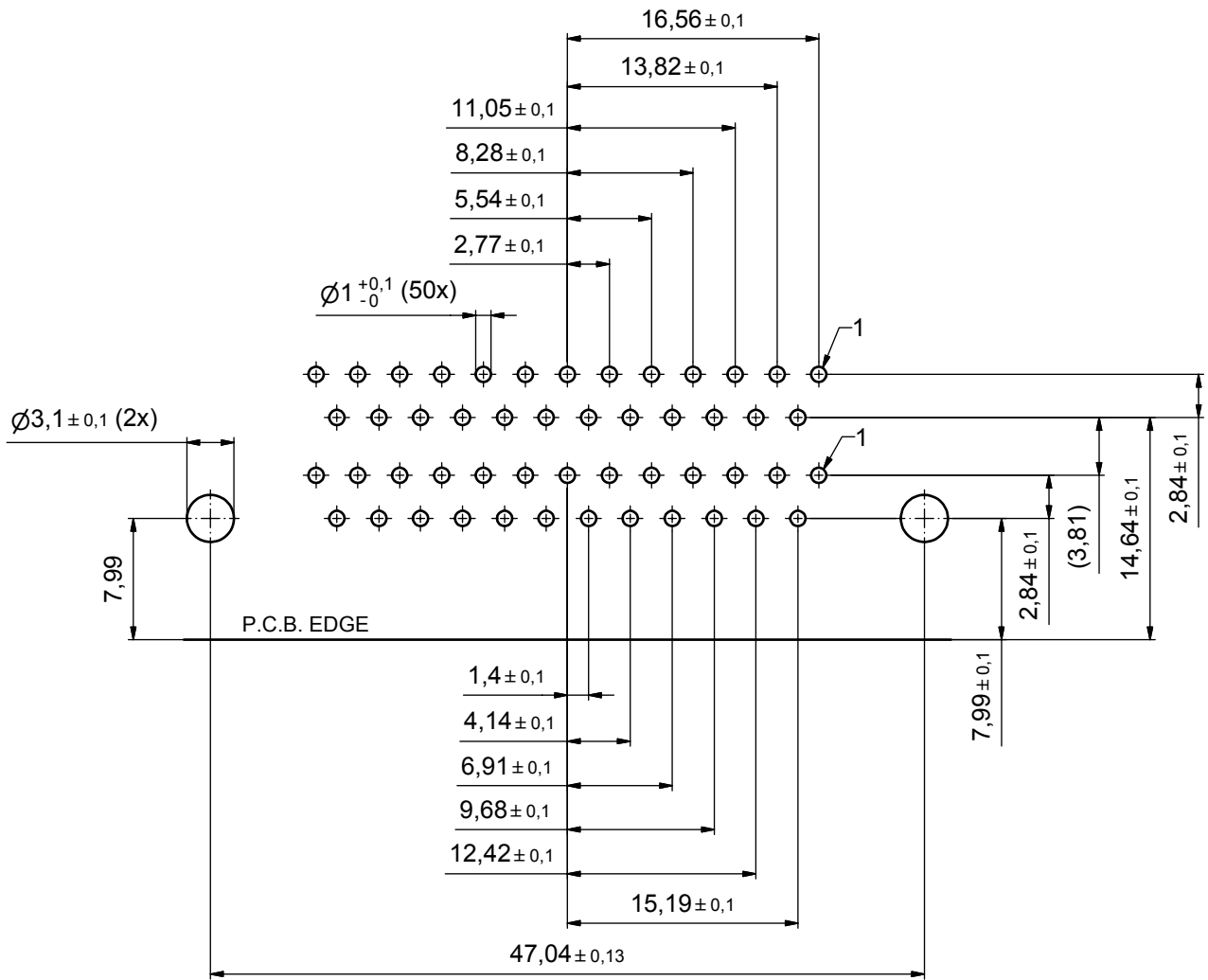
|   |        |
|---|--------|
| APPROVAL # FREIGABE # DEBLOCAGE # AUTORIZACION # APPROVAL |        |
| CUSTOMER APPROVAL DATE:                                   |        |
| NAME:   | TITLE: |
| COMPANY NAME:   |        |
| APPROVAL # FREIGABE # DEBLOCAGE # AUTORIZACION # APPROVAL |        |

|   |             |      |      |
|---|-------------|------|------|
| THIS DRAWING MAY NOT BE COPIED OR REPRODUCED IN ANY WAY, AND MAY NOT BE PASSED ON TO A THIRD PARTY WITHOUT WRITTEN PERMISSION. OWNERSHIP AND COPYRIGHT OF CONEC GmbH DO NOT ALTER CAD DRAWING BY HAND |             |      |      |
| a   | Origin      |      |      |
| rev.  | description | date | name |

|  |                |                |  |
|--|----------------|----------------|--|
|  | tolerance      | <br>dim. in mm | scale: 2:1   |
|  |                |                | material: SEE NOTES  |
|  | date           | name           | title:<br><b>D-SUB DUAL PORT 19.05mm</b><br>25pos. FEMALE / 25pos. FEMALE<br>with threaded lock and snap |
|  | drawn 29.09.08 | Lehmenkühler   |  |
|  | appd. 29.09.08 | Mickenbecker   |  |
|  | norm           | DIN 41652      |  |
|  | d-old          |                | dwg no: <span style="border: 1px solid black; padding: 2px;">Inventor</span>                             |
|  |                |                | <span style="font-size: 1.2em; font-weight: bold;">16K1A2369</span>                                      |
|  |                |                | part no: <span style="border: 1px solid black; padding: 2px;">164A20099X</span>                          |



DIN-A3  
sh: 1



|   |        |
|---|--------|
| APPROVAL # FREIGABE # DEBLOCAGE # AUTORIZACION # APPROVAL |        |
| CUSTOMER APPROVAL DATE:                                   |        |
| NAME:   | TITLE: |
| COMPANY NAME:   |        |
| APPROVAL # FREIGABE # DEBLOCAGE # AUTORIZACION # APPROVAL |        |

|  |             |      |      |           |          |                      |   |        |
|--|-------------|------|------|-----------|----------|----------------------|---|--------|
| THIS DRAWING MAY NOT BE COPIED OR REPRODUCED IN ANY WAY, AND MAY NOT BE PASSED ON TO A THIRD PARTY WITHOUT WRITTEN PERMISSION. OWNERSHIP AND COPYRIGHT OF CONEC GmbH |             |      |      | tolerance |          | dim. in mm           | scale: 3:1  |        |
| DO NOT ALTER CAD DRAWING BY HAND   |             |      |      | date      |          |                      | material: SEE SHEET 1   |        |
| rev.   | description | date | name | drawn     | 29.09.08 | Lehmenkühler         | <b>P.C.B. HOLE DRILLINGS</b><br>D-SUB DUAL PORT 19.05 mm<br>25pos. FEMALE / 25pos. FEMALE |        |
| a  | Origin      |      |      | appd.     | 29.09.08 | Mickenbecker         |   |        |
|  |             |      |      | norm      |          |                      |   |        |
|  |             |      |      | d-old     |          |                      |   |        |
|  |             |      |      |           |          | dwg no: Inventor     |   | DIN-A3 |
|  |             |      |      |           |          | 16K1A2369            |   | sh: 2  |
|  |             |      |      |           |          | part no: SEE SHEET 1 |   |        |