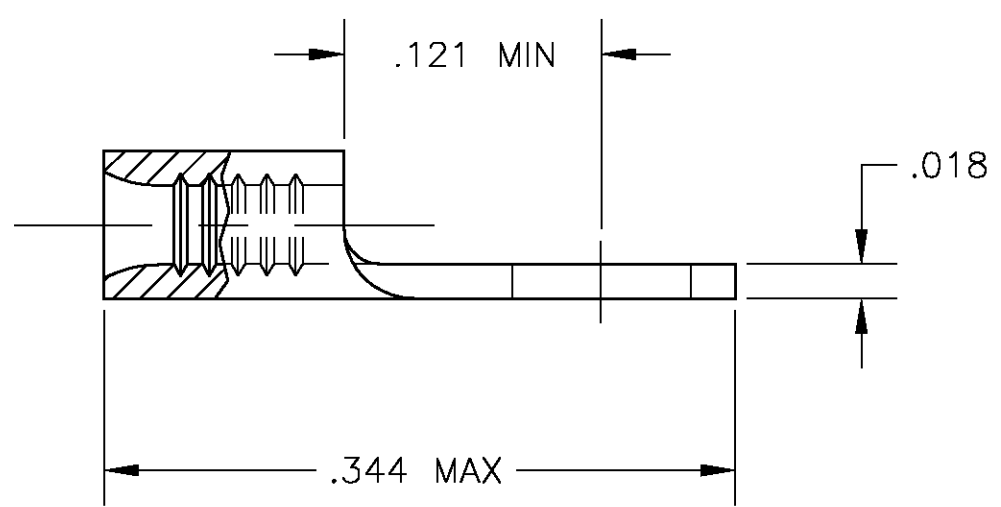
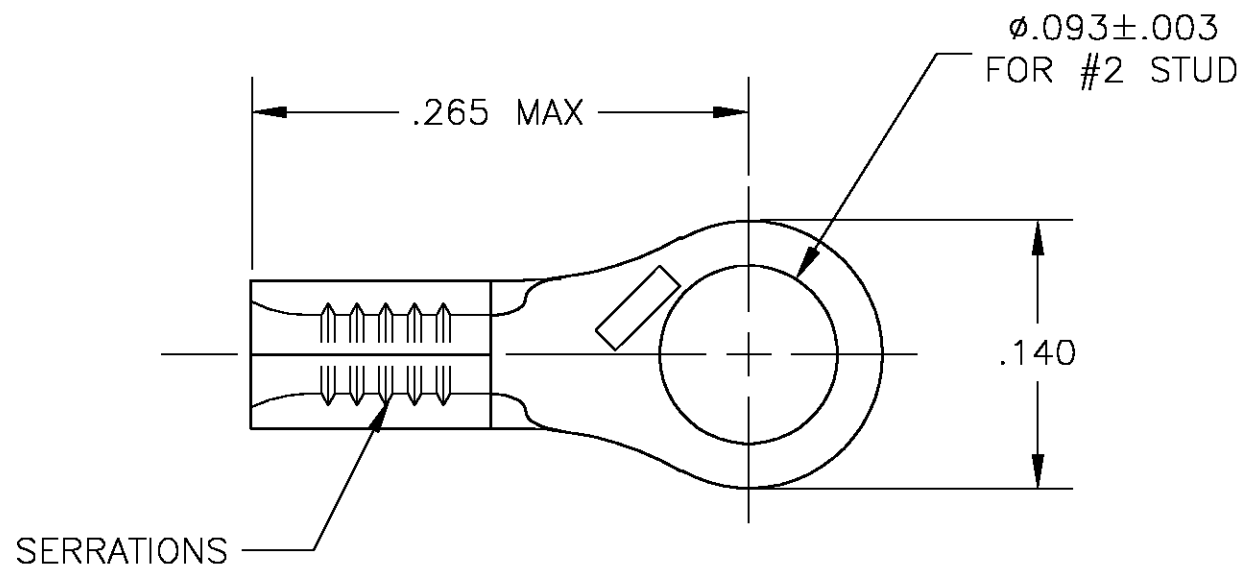


THIS DRAWING IS UNPUBLISHED. RELEASED FOR PUBLICATION
 © COPYRIGHT BY TYCO ELECTRONICS CORPORATION. ALL RIGHTS RESERVED.

| LOC | DIST | REVISIONS | | | | | |
|-----|------|-----------|-----|----------------------|---------|-----|------|
| | | P | LTR | DESCRIPTION | DATE | DWN | APVD |
| G | 14 | | A | REV PER 0G3A-0589-03 | 02OCT03 | JR | MJS |



327640-0
 PART NO

| | | | | | | | |
|--|--------|-------------------|---------|---|-----------|------------|---------------|
| THIS DRAWING IS A CONTROLLED DOCUMENT. | | DWN jr_ruth | 02OCT03 | Tyco Electronics Corporation Harrisburg, PA 17105 | | | |
| DIMENSIONS: INCHES | | CHK MJ SPICER | 02OCT03 | | | | |
| | | APVD MJ SPICER | 02OCT03 | WIRE TERMINAL, RING TONGUE, BUDGET WIRE SIZE: 26-22 AWG | | | |
| TOLERANCES UNLESS OTHERWISE SPECIFIED: | | PRODUCT SPEC | | SIZE | CAGE CODE | DRAWING NO | RESTRICTED TO |
| 0 PLC | ± - | APPLICATION SPEC | | A3 | 00779 | 327640 | |
| 1 PLC | ± - | | | CUSTOMER DRAWING | | | SCALE 10:1 |
| 2 PLC | ± - | | | | | | SHEET 1 OF 1 |
| 3 PLC | ± .008 | | | | | | REV A |
| 4 PLC | ± - | | | | | | |
| ANGLES | ± 5' | | | | | | |
| MATERIAL | FINISH | WEIGHT | | | | | |
| COPPER | - | - | | | | | |