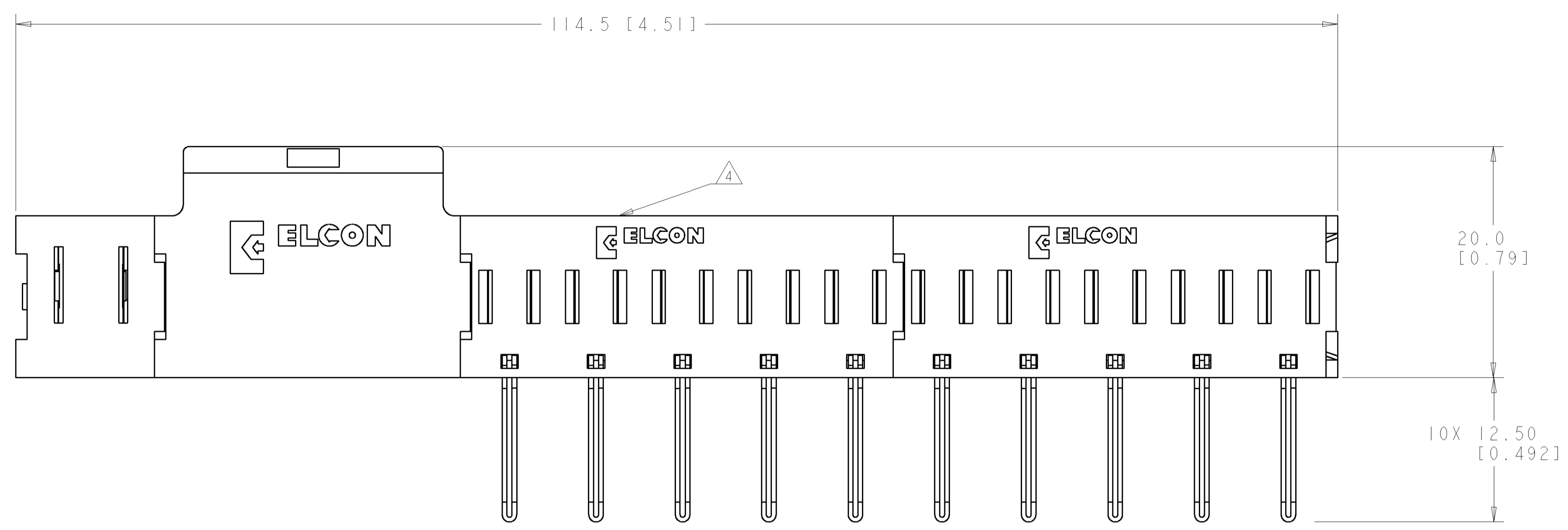


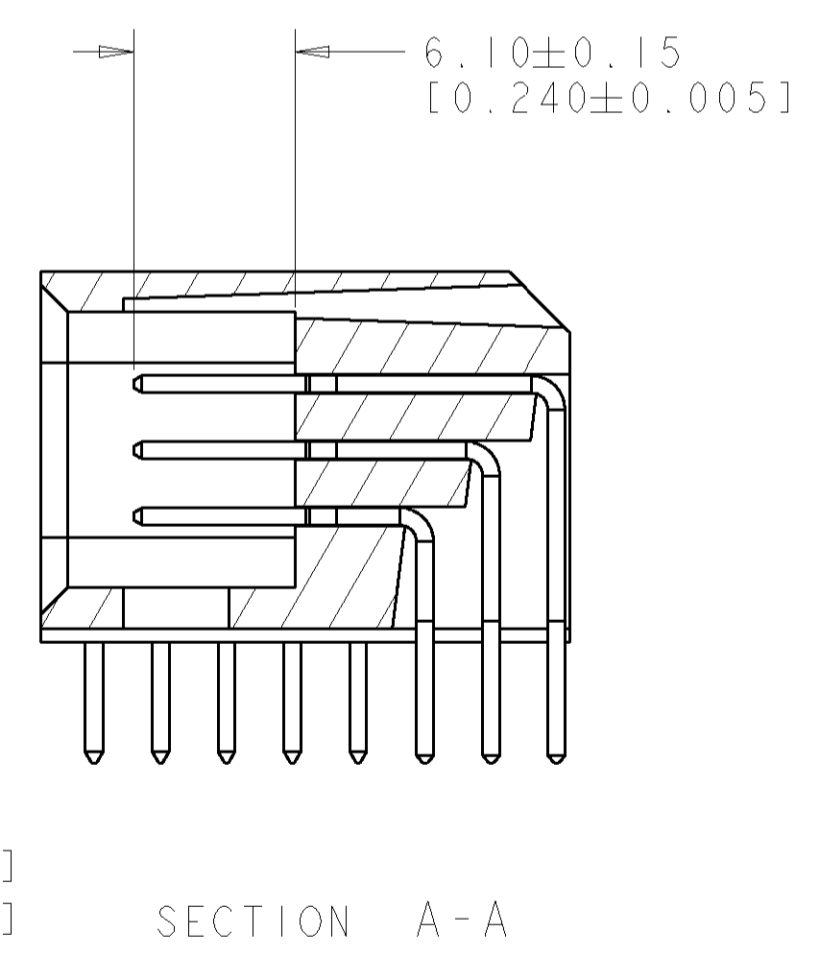
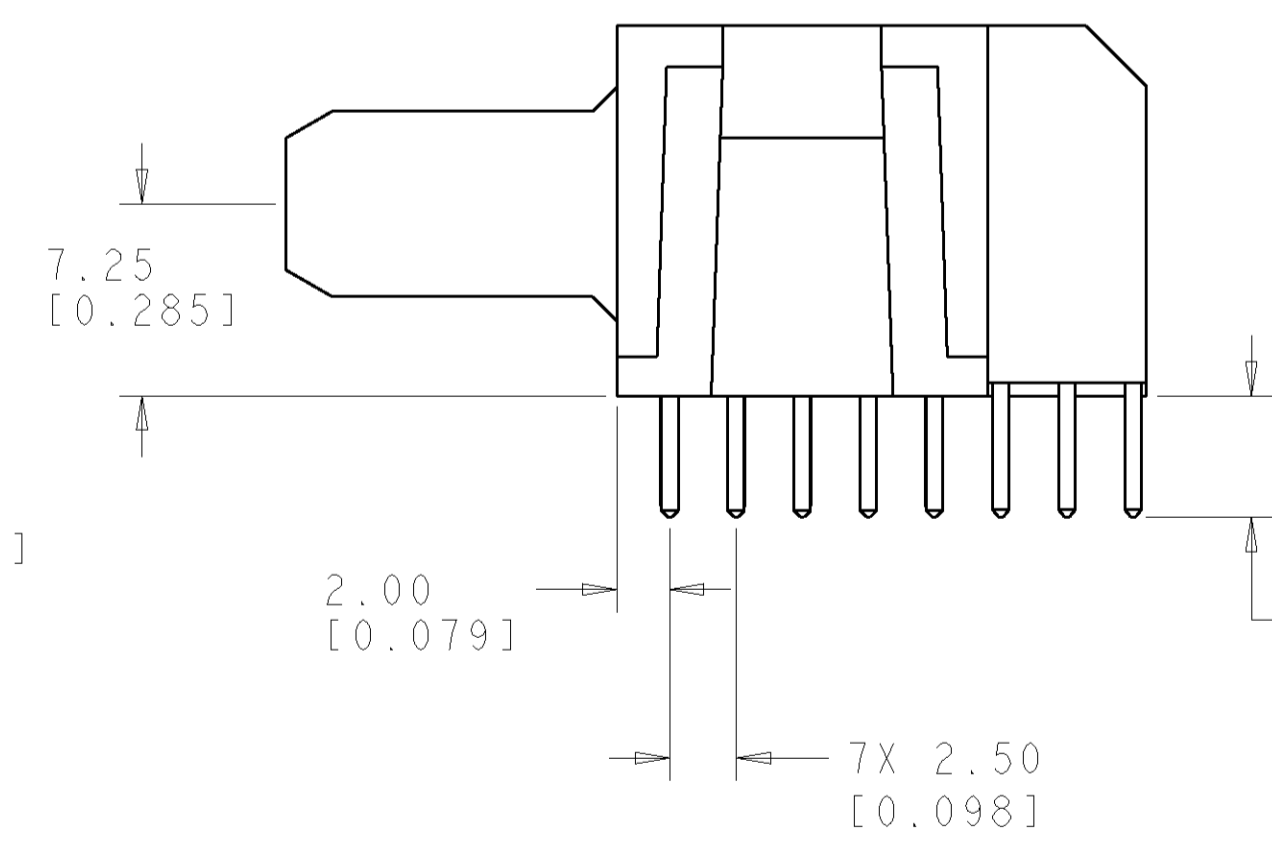
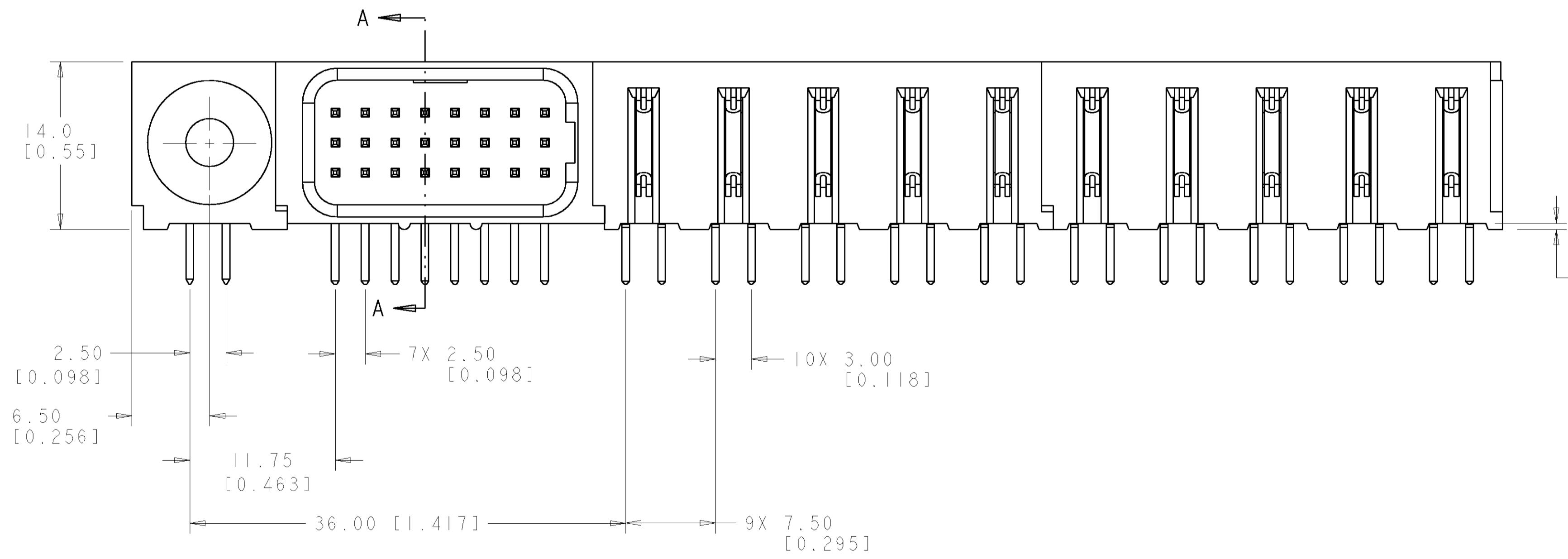
LOC	DIST	REVISIONS					
GP	00	P	LTR	DESCRIPTION	DATE	DWN	APVD
		A		RELEASED	12FEB2007	RG	PD



- PART NUMBER CHANGES AND OR DESIGN CHANGES AFFECTING ITEM INTERCHANGEABILITY REQUIRE PRIOR TYCO APPROVAL AND AUTHORIZATION BY REVISION TO THIS DRAWING.
- MATERIAL:
 - INSULATORS - THERMOPLASTIC, GLASS REINFORCED, COLOR: BLACK, UL94V-0 FLAMMABILITY RATED.
 - SIGNAL CONTACTS: PHOSPHOR BRONZE ALLOY
 - POWER CONTACTS - PHOSPHOR BRONZE ALLOY, COPPER ALLOY
 - CROWN BANDS: BERYLLIUM COPPER ALLOY
- FINISH:
 - CONTACTS - GOLD PLATE .76µm MIN. THK., OVER NICKEL
 - 1.27µm MIN. THK.
 - SOLDER TAILS TIN 3.05µm MIN. THK. OVER NICKEL
 - 1.27µm MIN. THK.

△ ITEMS PROVIDED TO THIS SPECIFICATION TO BE PERMANENTLY IDENTIFIED PER THE FOLLOWING IDENTIFIER LABEL

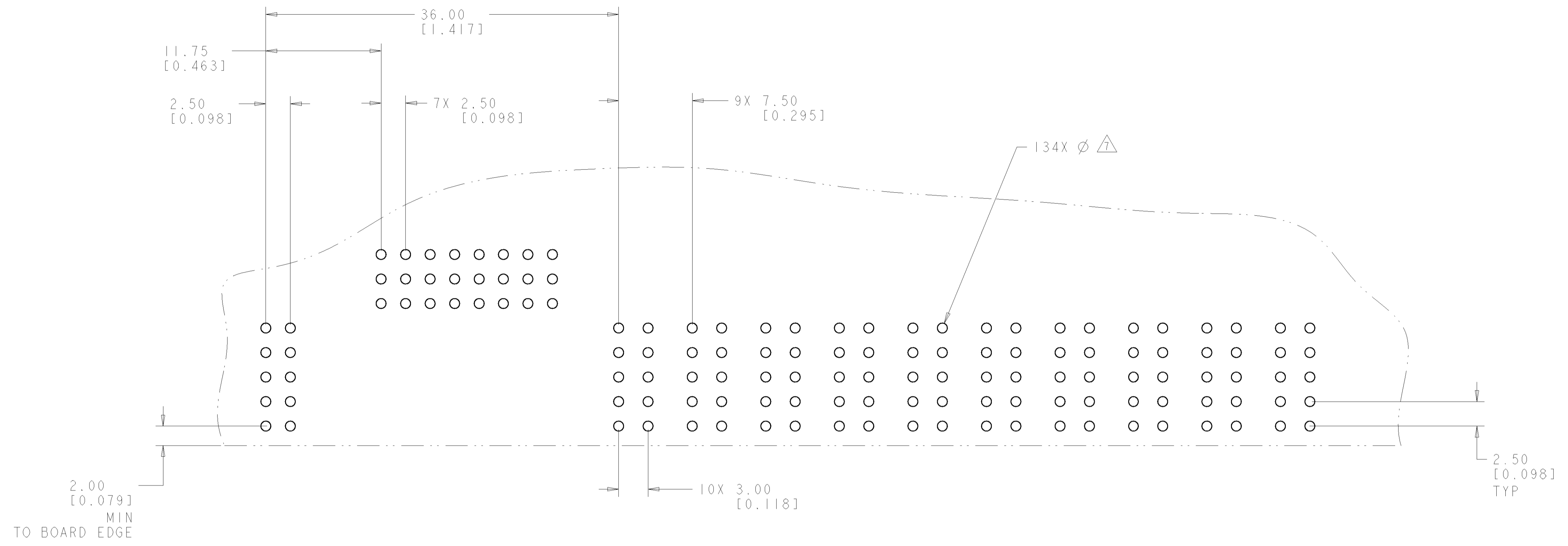
YEAR WEEK
 TYCO PART NO. DATE CODE (e.g. 0106)
 XXXXXXXX-X XXXX



ELCON FLATPAQ

AS SHOWN		6646907-1	
DESCRIPTION		PART NUMBER	
DIMENSIONS: mm [INCHES] TOLERANCES UNLESS OTHERWISE SPECIFIED: 0 PLC ±.5 [0.020] 1 PLC ±.5 [0.020] 2 PLC ±.25 [0.010] 3 PLC ±.25 [0.010] 4 PLC ±.25 [0.010] ANGLES ±.5		DWN: R. GRZYBOWSKI 9FEB07 CHK: P. DAMATO 9FEB07 APVD: S. FLICKINGER 9FEB07 PRODUCT SPEC: - APPLICATION SPEC: - WEIGHT: - CUSTOMER DRAWING: -	
MATERIAL: - FINISH: -		Tyco Electronics Harrisburg, PA 17105-3608 PIN CONNECTOR ASSEMBLY RIGHT ANGLE SOLDER TAILS SIZE: A 00779 C=6646907 SCALE: 4:1 SHEET 1 OF 3 REV A	

LOC		DIST		REVISIONS			
GP	00	P	LTR	DESCRIPTION	DATE	DWN	APVD
-	-	-	-	SEE SHEET 1	-	-	-



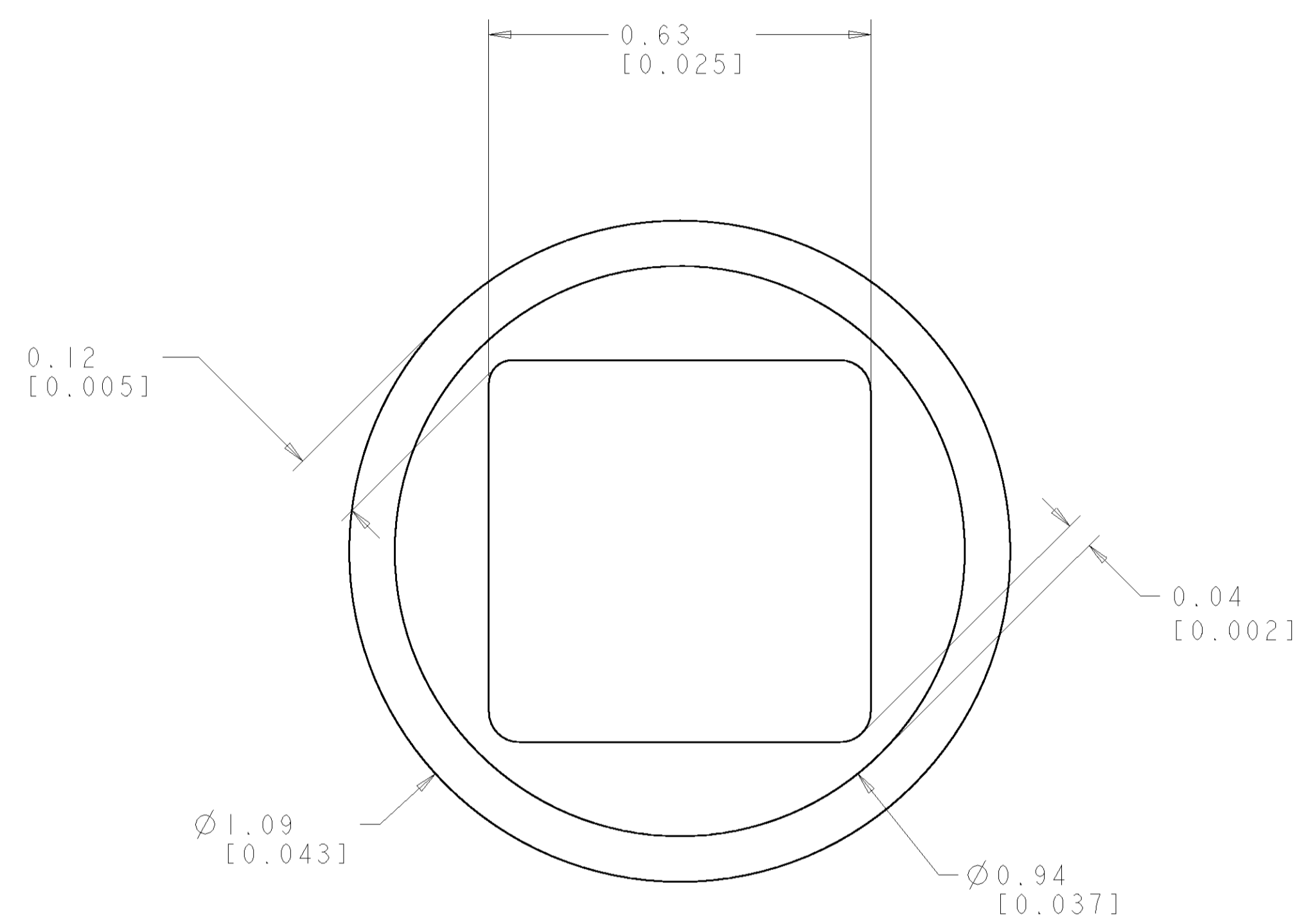
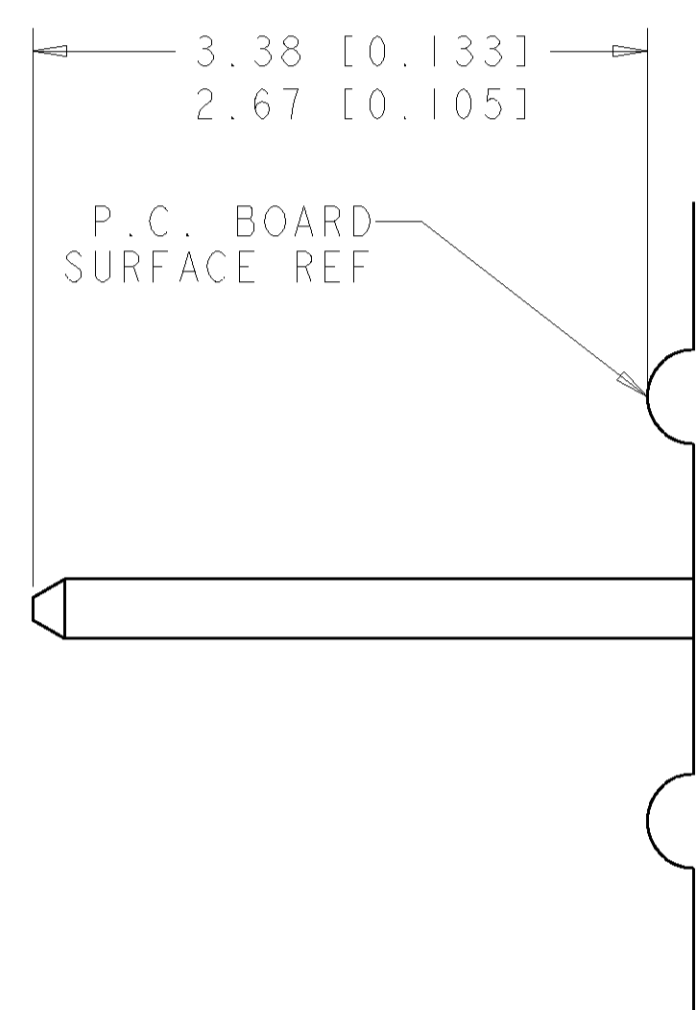
PRINTED CIRCUIT LAYOUT
 COMPONENT SIDE

CONNECTOR	CATALOG MODULE #	QTY	SIZE NO.	CONTACT QTY	MATING PIN	MAX. CURRENT (PER CONTACT)	CONTACT SPACING	VOLTAGE RATING
PIN	FP302	1	22	24	.64 [0.025] SO.	3 amps	2.50 [0.0984]	125
	FP152	10	8	20	1.25 X 7.00 [0.049 X .276]	35 amps	7.50 [0.2953]	250
	FP516	1	RIGHT ANGLE GUIDE SOCKET					

ELCON FLATPAQ

DIMENSIONS: mm [INCHES] TOLERANCES UNLESS OTHERWISE SPECIFIED: 0 PLC ±.5 [0.020] 1 PLC ±.5 [0.020] 2 PLC ±.25 [0.010] 3 PLC ±.25 [0.010] 4 PLC ±.25 [0.010] ANGLES ±.5		DWN: B. GRZYBOWSKI 9FEB07 CHK: P. DAMATO 9FEB07 APVD: S. FLICKINGER 9FEB07		tyco Tyco Electronics Harrisburg, PA 17105-3608	
MATERIAL: - FINISH: -		PRODUCT SPEC: - APPLICATION SPEC: - WEIGHT: - CUSTOMER DRAWING		NAME: PIN CONNECTOR ASSEMBLY RIGHT ANGLE SOLDER TAILS SIZE: A 00779 C=6646907 SCALE: 4:1 SHEET 2 OF 3 REV A	

LOC	DIST	REVISIONS					
		P.	LTR	DESCRIPTION	DATE	DRN	APVD
GP	00	-	-	SEE SHEET 1	-	-	-



6. SOLDER PIN DETAIL
 SCALE 10 : 1

△ SOLDER TERMINATION AREA
 SCALE 40:1
 RECOMMENDED PRINTED CIRCUIT HOLE
 FINISHED HOLE: Ø1.02 [0.040] ± .08 [0.003]
 DRILLED HOLE: Ø1.15 [0.0453] ± .013 [0.0005]
 COPPER PLATE: .025 [0.0010] MIN. (PER SURFACE)
 TIN PLATE: .008 [0.0003] MIN. (PER SURFACE)

<small>THIS DRAWING IS UNPUBLISHED. RELEASED FOR PUBLICATION. ALL RIGHTS RESERVED. THIS DRAWING IS THE PROPERTY OF TYCO ELECTRONICS CORPORATION. IT IS TO BE USED ONLY FOR THE PURPOSES AND ORGANIZATION SPECIFIED HEREIN. ANY REUSE OR REPRODUCTION OF THIS DRAWING WITHOUT THE WRITTEN PERMISSION OF TYCO ELECTRONICS CORPORATION IS STRICTLY PROHIBITED.</small>		DWN R. GRZYBOWSKI 9FEB07 CHK P. DAMATO 9FEB07 APVD S. FLICKINGER 9FEB07	tyco Tyco Electronics Harrisburg, PA 17105-3608
DIMENSIONS: mm [INCHES]	TOLERANCES UNLESS OTHERWISE SPECIFIED: 0 PLC ± 1 PLC ±.5 [0.020] 2 PLC ±.25 [0.010] 3 PLC ± 4 PLC ± ANGLES ±.5	NAME PIN CONNECTOR ASSEMBLY RIGHT ANGLE SOLDER TAILS	SIZE CAGE CODE DRAWING NO A100779C=6646907
MATERIAL - FINISH -	WEIGHT - CUSTOMER DRAWING	SCALE 4:1 SHEET 3 OF 3 REV A	RESTRICTED TO