

4

3

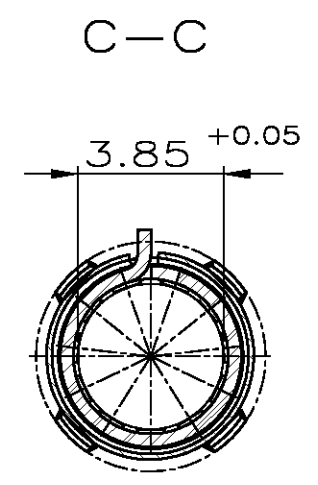
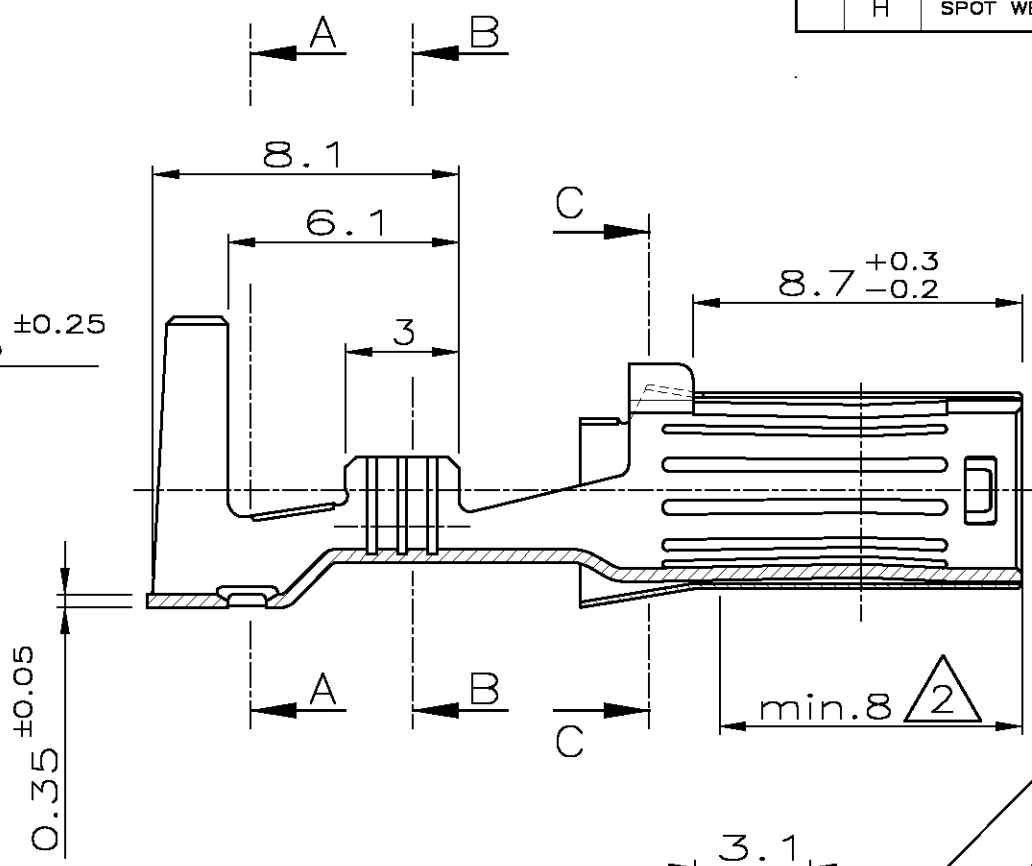
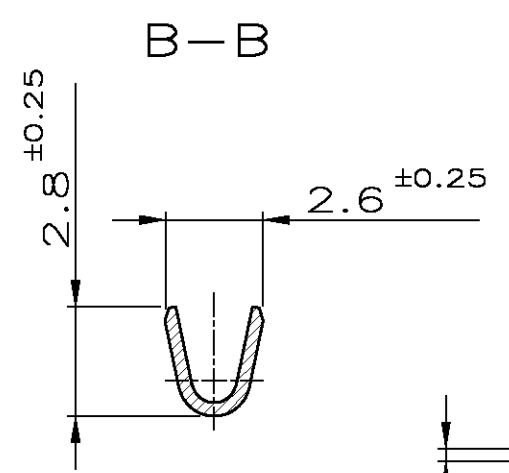
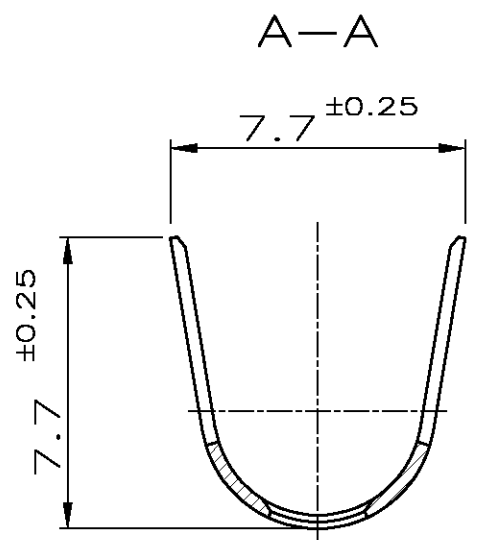
2

1

THIS DRAWING IS UNPUBLISHED. RELEASED FOR PUBLICATION. ALL RIGHTS RESERVED.

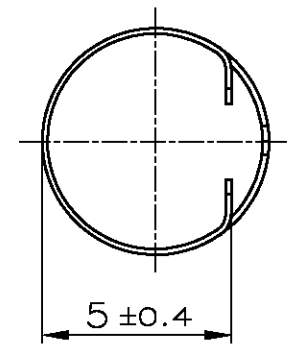
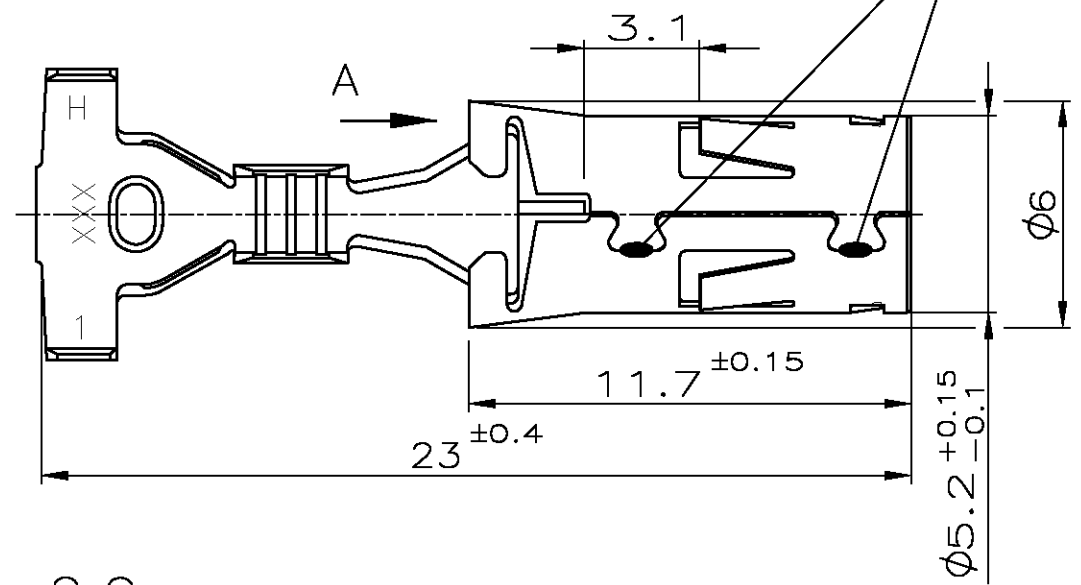
LOC AI DIST -

P		LTR	DESCRIPTION	DATE	DWN	APVD
	F		DOVE TAIL ADDED / Schwabenschwanz eingefuegt	27JUL2006	C.H.	C.G.
	G		DRAWING ADAPTED / Zeichnung angepasst	13AUG2007	Abr	C.G.
	H		SPOT WELDING CHANGED INTO LINE WELDING	27SEP2012	Sch	Abr



LASER WELDED (LINE)
Laserschweissung (Linie)

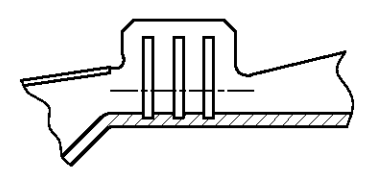
Teilansicht A



NOTES
Bemerkungen

- 1 1-3µm Sn
1-3µm Sn
- 2 3-4µm GALVANIC Ag
REST GALV. Sn (1-3µm)
3-4µm galvanisch Ag
Rest galv. Sn (1-3µm)
- 3 WIRE RANGE
Drahtgroessenbereich (mm²): 0.5-1
- 4 INSULATION RANGE FOR SWS Ø6 (mm): 1.4-2.0
Isolationsbereich fuer EDS Ø6

OPTIONAL



2	vorversilbert	0-962952-2	H
1	vorverzinkt	0-962952-1	H
	FINISH	PART NO.	REV.

THIS DRAWING IS A CONTROLLED DOCUMENT.

DIMENSIONS: mm	TOLERANCES UNLESS OTHERWISE SPECIFIED: ±0.2mm
	0 PLC ± 1 PLC ± 2 PLC ± 3 PLC ± 4 PLC ± ANGLES ±1.5°
MATERIAL CuNiSi	FINISH -

DWN E. Palmie	02FEB1995
CHK H. Lutsch	02FEB1995
APVD -	
PRODUCT SPEC 108-18472	
APPLICATION SPEC 114-18118	
WEIGHT -	
CUSTOMER DRAWING	



NAME Ø4mm SOCKET CONTACT, SWS Ø4mm Buchsenkontakt, EDS			
SIZE A3	CAGE CODE 00779	DRAWING NO. C-962952	RESTRICTED TO -
SCALE 5:1	SHEET 1 OF 1	REV H	