

Customer Information Sheet

DRAWING No.: M80-5L1XXXXM5

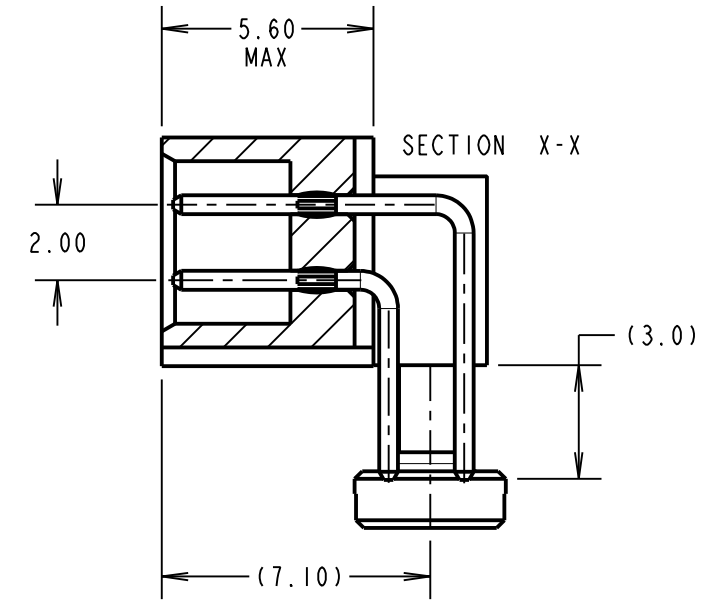
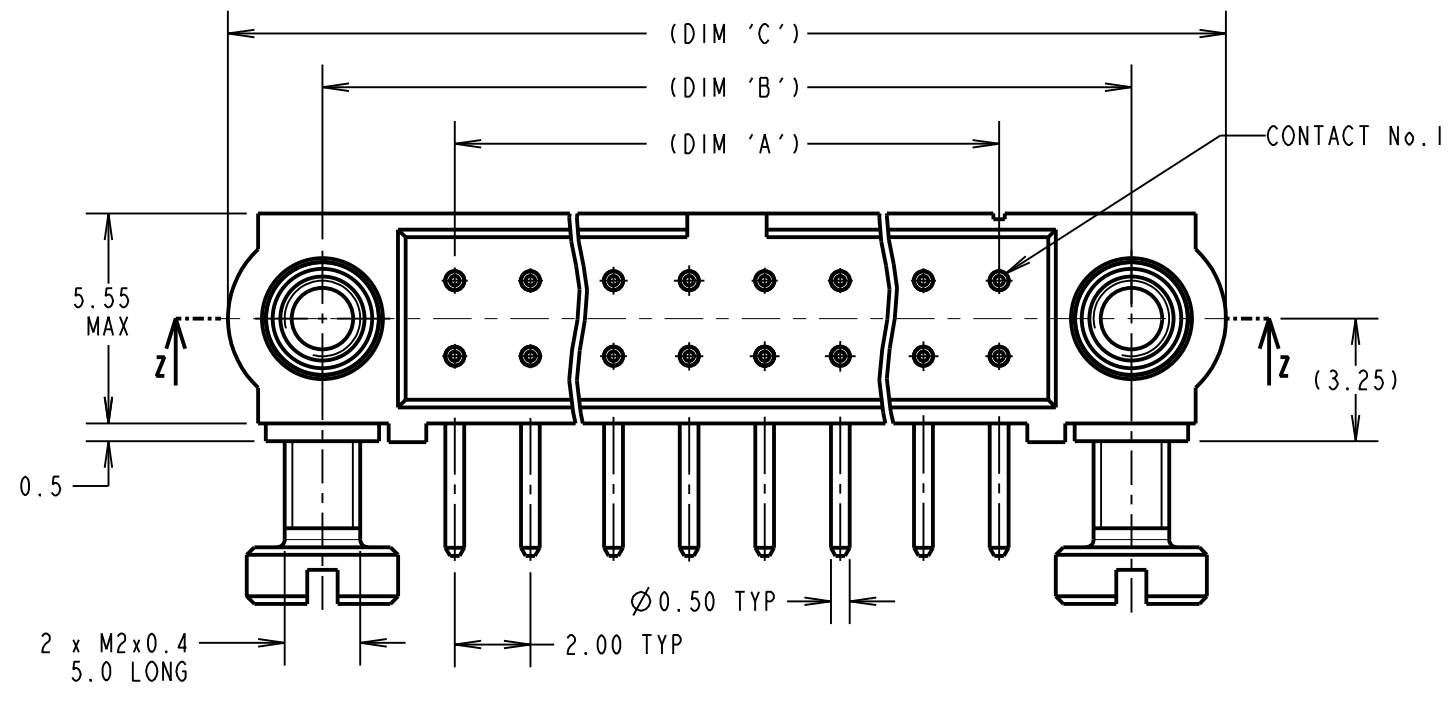
IF IN DOUBT - ASK

©

NOT TO SCALE

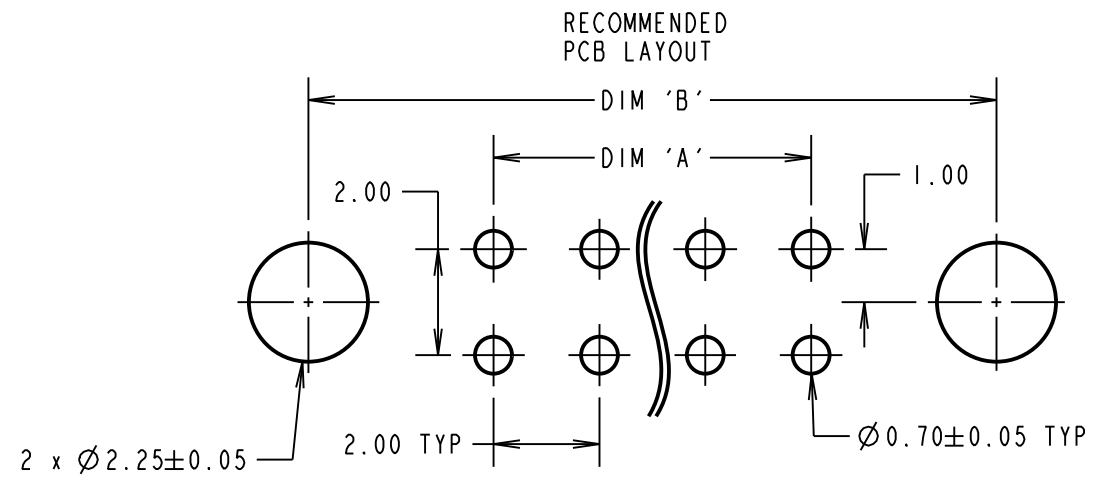
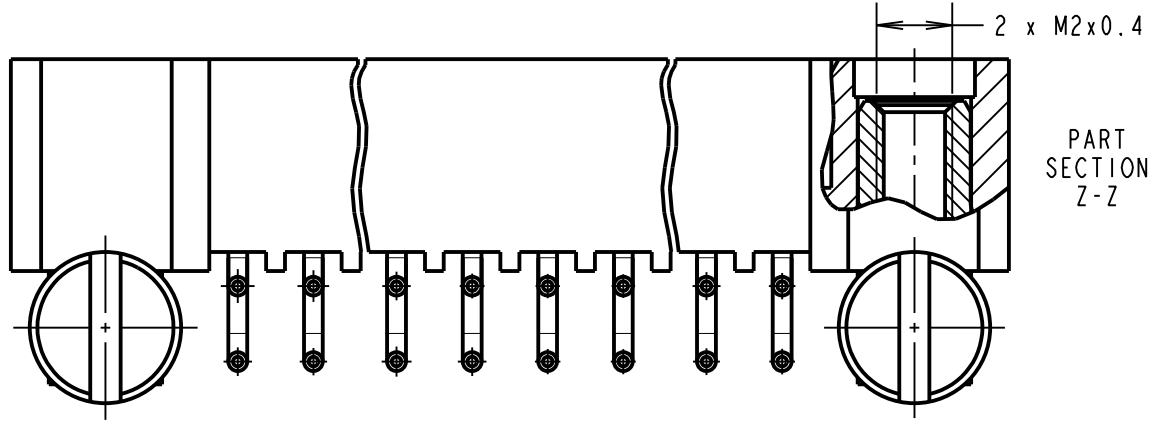
THIRD ANGLE PROJECTION

ALL DIMENSIONS IN mm



SPECIFICATIONS:

- MATERIAL:**
 MOULDING = GLASS-FILLED PPS, UL94V-0, BLACK
 CONTACT = PHOSPHOR BRONZE
 JACKSCREW = STAINLESS STEEL
- FINISH (CONTACTS):**
 05 = 0.75µ GOLD ALL OVER
 22 = 0.75µ GOLD ON CONTACT AREA, 3µ TIN/LEAD ON TAILS
 42 = 0.75µ GOLD ON CONTACT AREA, 3µ 100% TIN OVER NICKEL ON TAILS
- ELECTRICAL:**
 CURRENT RATING AT 25°C = 3.0A MAX
 CURRENT RATING AT 85°C = 2.2A MAX
 WORKING VOLTAGE = 800V AC/DC
 VOLTAGE PROOF = 1200V AC/DC
 CONTACT RESISTANCE = 25mΩ MAX
 INSULATION RESISTANCE = 100MΩ MIN
- MECHANICAL:**
 DURABILITY = 500 OPERATIONS
- ENVIRONMENTAL:**
 TEMPERATURE RANGE = -55°C TO +125°C
- PACKING:**
 TUBE
- FOR COMPLETE SPECIFICATION, SEE COMPONENT SPECIFICATION C005XX (LATEST ISSUE)



| DIMENSION | CALCULATION |
|-----------|----------------------------|
| DIM 'A' | TOTAL No. OF CONTACTS - 2 |
| DIM 'B' | TOTAL No. OF CONTACTS + 5 |
| DIM 'C' | TOTAL No. OF CONTACTS + 10 |

EXAMPLE: CONNECTOR WITH 20 CONTACTS, GOLD ON CONTACT AREA AND 100% TIN OVER NICKEL ON TAIL, M80-5L12042M5
 DIM 'A' = 18.00mm, DIM 'B' = 25.00mm, DIM 'C' = 30.00mm

ORDER CODE:
M80-5L1XXXXM5

TOTAL No. OF CONTACTS
 04 TO 50
 (EVEN NUMBERS ONLY)

FINISH
 05 - ALL OVER GOLD
 22 - GOLD ON CONTACT AREA / TIN/LEAD ON TAIL
 42 - GOLD ON CONTACT AREA / 100% TIN OVER NICKEL ON TAIL

| | | | |
|----------------|------|------------|--------|
| SB | 5 | 10.01.18 | 20975 |
| NAME | ISS. | DATE | C/NOTE |
| APPROVED: | | S.BENNETT | |
| CHECKED: | | M.PLESTED | |
| DRAWN: | | B. M. KENT | |
| CUSTOMER REF.: | | | |
| ASSEMBLY DRG: | | | |

| | | | | |
|--|---|--|----------------------------|--|
| www.harwin.com technical@harwin.com | THIS DRAWING AND ANY INFORMATION OR DESCRIPTIVE MATTER SET OUT HEREON ARE CONFIDENTIAL AND COPYRIGHT PROPERTY OF THE HARWIN GROUP AND MUST NOT BE DISCLOSED, LOANED, COPIED OR USED FOR MANUFACTURING, TENDERING OR FOR ANY OTHER PURPOSE WITHOUT THEIR WRITTEN PERMISSION. | TOLERANCES X. = ±1mm X.X = ±0.50mm X.XX = ±0.10mm X.XXX = ±0.01mm ANGLES = ±5° UNLESS STATED | MATERIAL: SEE ABOVE | TITLE: DATAMATE J-TEK MALE HORZ 3mm PC-TAIL ASSY WITH BOARD MOUNT JACKSCREW |
| | | FINISH: SEE ABOVE | S/AREA: mm ² | DRAWING NUMBER: M80-5L1XXXXM5 |