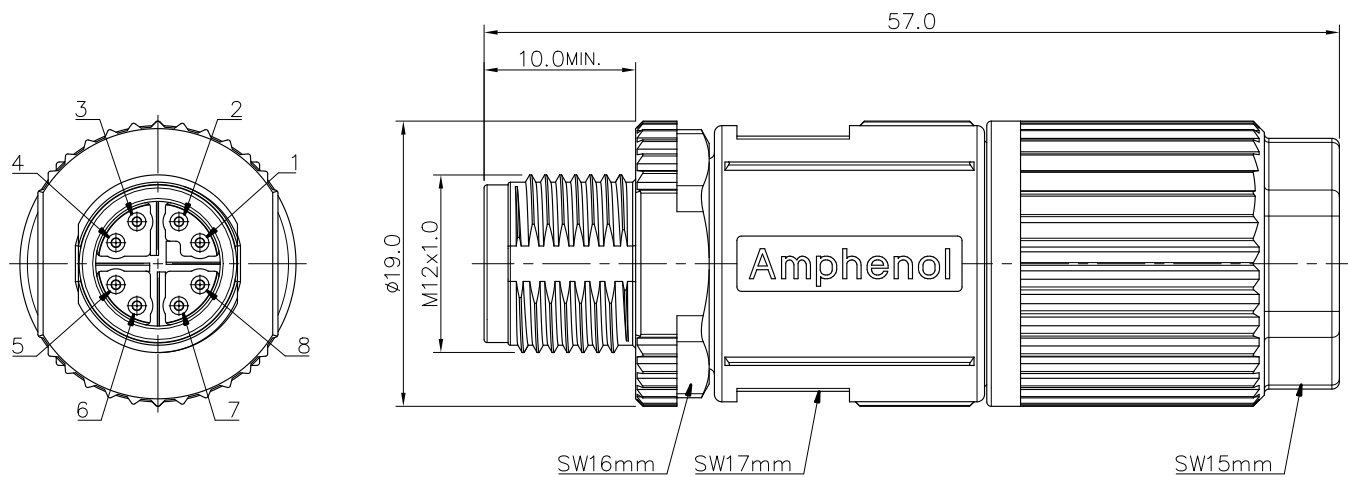
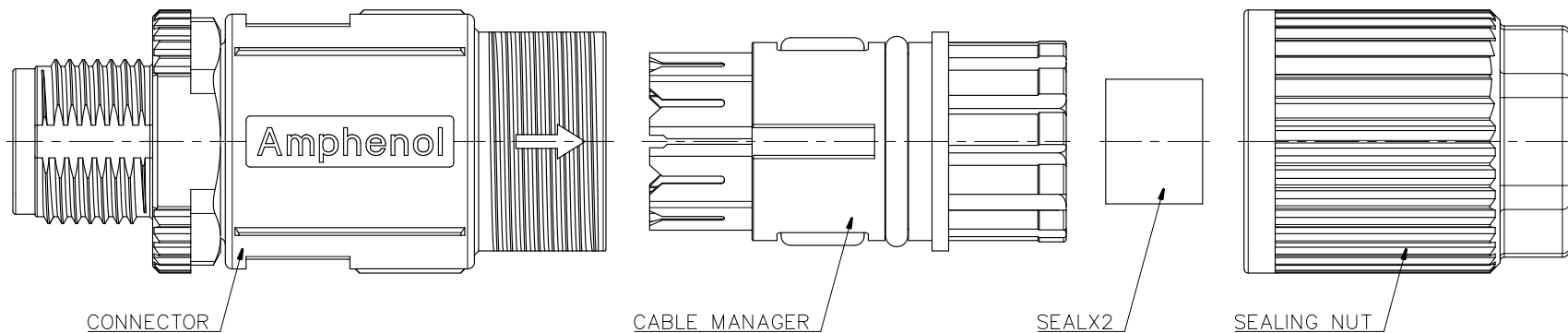


| | |
|-----------|----------------------------|
| REV. A | DESCRIPTION NEW RELEASE |
|-----------|----------------------------|

THIS DOCUMENT IS SUBJECT TO CHANGE WITHOUT NOTICE. IT IS CONFIDENTIAL AND A PROPERTY OF Amphenol LTW. DISCLOSURE TO THIRD PARTY HAS TO BE AUTHORIZED BY Amphenol LTW.



- * MATERIAL:
 Male Pin: Copper Alloy, Gold Plated.
 Connector: Thermoplastic, Black.
 Shell & Shield: Matal.
 O-Ring: Silicon.
- * Waterproof Rate: IP68.
- * Applicable Cable OD: 5.0mm~9.0mm.
- * Applicable Wire Gauge: 22AWG~26AWG.
- * Rated Voltage: 50V/AC, 60V/DC.
- * Rated Current: 0.5A.
- * Temperature Range: -40~85°C.
- * Packing: One Piece in a Tray.

| | | | | | | | | | | | |
|-----------|-------|--|--|---------------------|---------|--------------------|------------|-------------|----------|------------|------------|
| UNIT: mm | | TITLE | <h1>Amphenol LTW</h1> <p>安費諾亮泰企業股份有限公司</p> | | ITEM NO | MSXS-08BMMD-SL8001 | DRAWN BY | Sam Ho | DATE | 2019.06.03 | |
| | | M12 X CODE FIELD INSTALLABLE IDC M CONN. | | | DWG NO | MSXS-08BMMD-SL8001 | CHECKED BY | Fred Lee | DATE | 2019.06.03 | |
| TOLERANCE | | SCALE | 2 : 1 | SHEET | 1 OF 1 | CUSTOMER | ALTW | APPROVED BY | Fred Lee | DATE | 2019.06.03 |
| .X | ±0.25 | REV. | A | SIZE | A4 | | | | | | |
| .XX | ±0.1 | | | QC: Inspection Item | | | | | | | |
| .XXX | ±0.05 | | | | | | | | | | |
| ANGLES | ±1° | | | | | | | | | | |