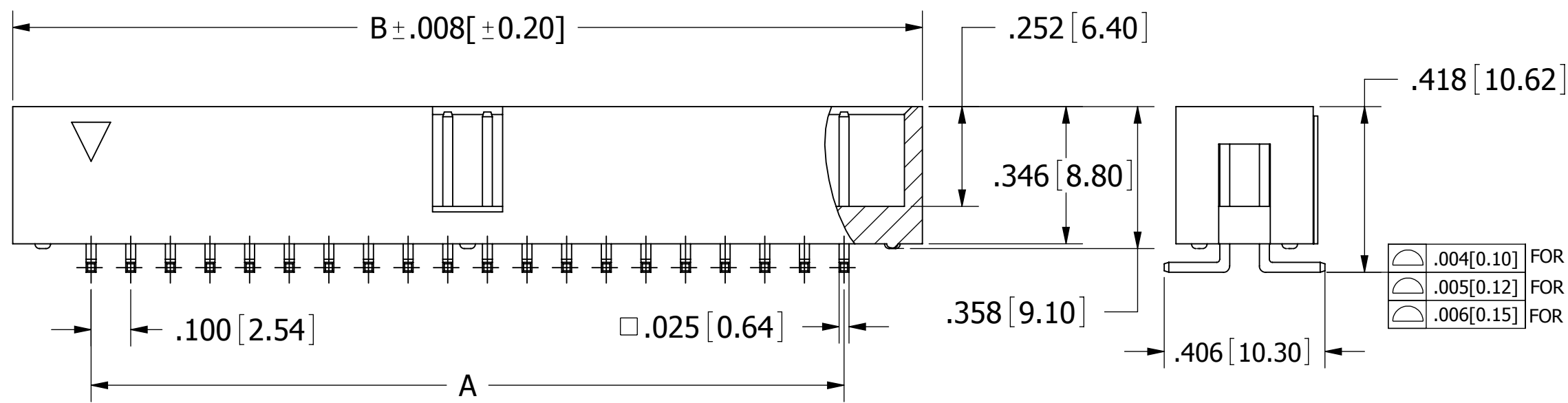
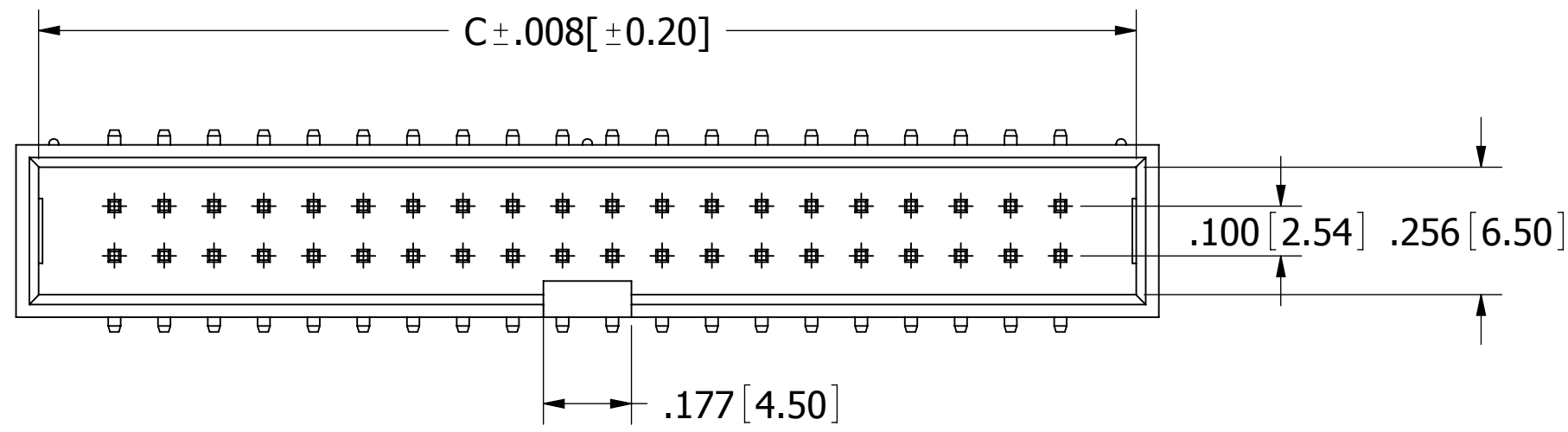
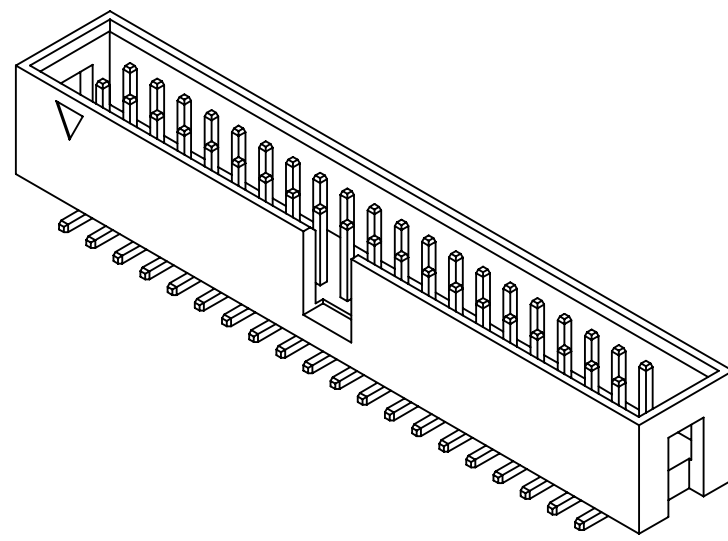


# PART NUMBER CODING

## SBH11-NBPC-D\_\_-SM-BK

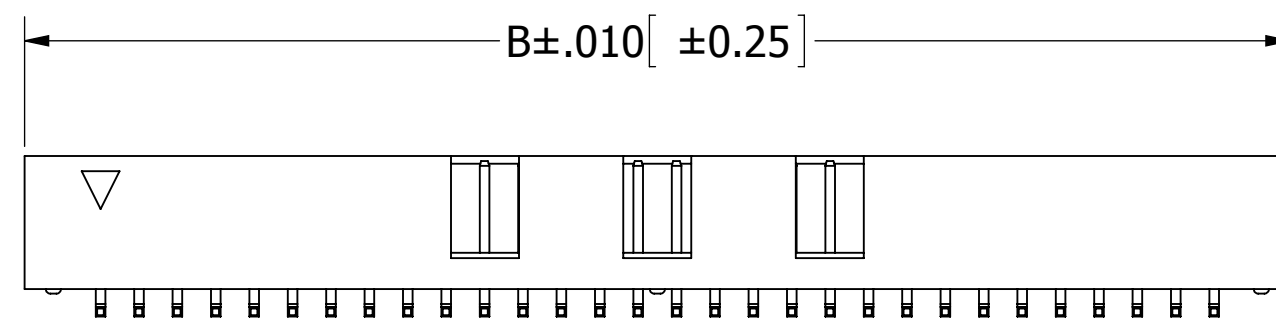
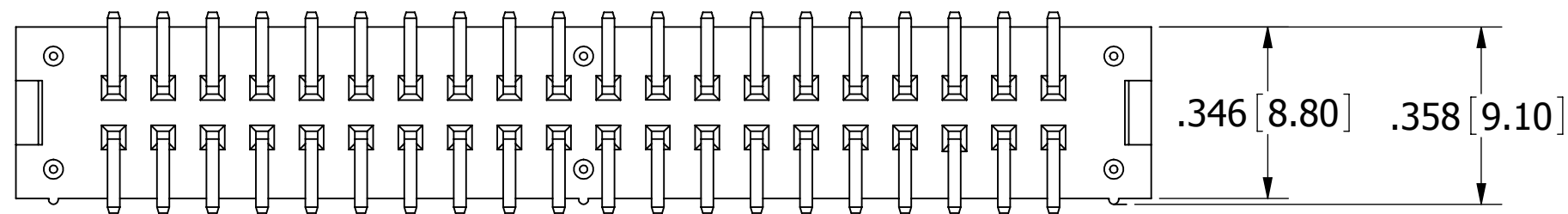
**NUMBER OF POSITIONS**  
(CONTACTS PER ROW)



**03 - 10 POSITIONS**

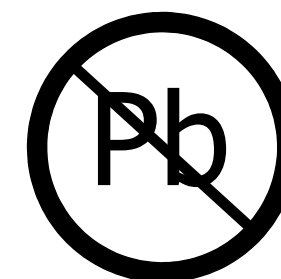
0.20mm MAX.  
**12 - 25 POSITIONS**

0.30mm MAX.



**30 - 32 POSITIONS**

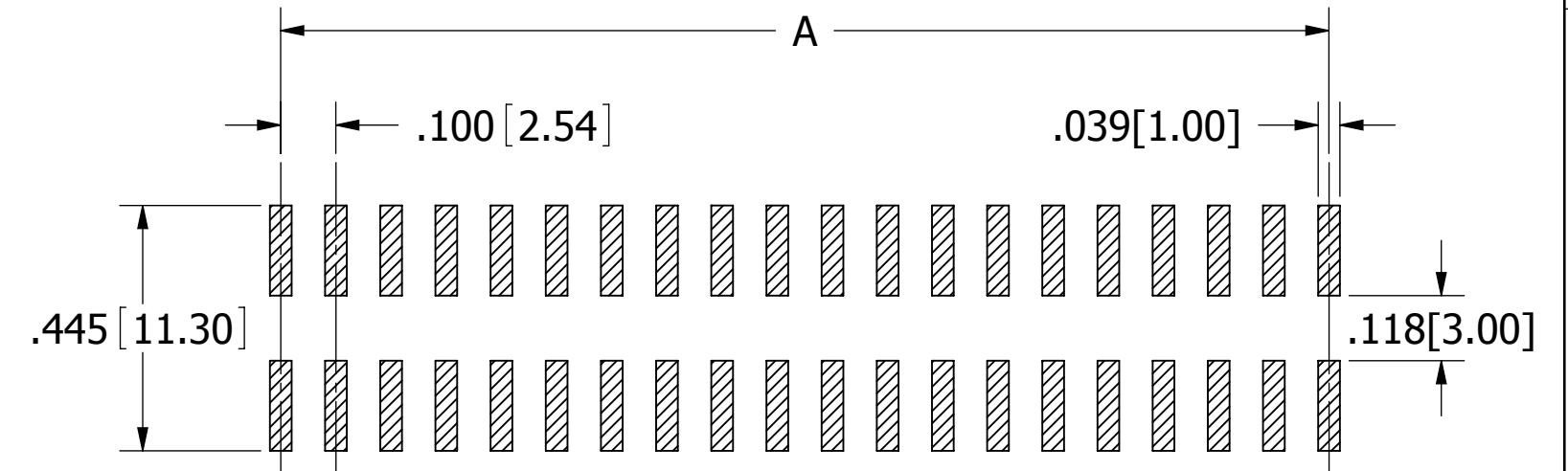
- NOTES:
- INSULATOR MATERIAL: NYLON 9T, UL 94V-0, BLACK
  - CONTACT MATERIAL: BRASS
  - CONTACT PLATING: .000030"~.000050" NICKEL UNDERPLATE, GOLD FLASH OVERALL
  - CURRENT RATING: 3 AMPS
  - INSULATOR RESISTANCE: 5000 MEGOHMS MIN.
  - CONTACT RESISTANCE: 20 MILLIOHMS MAX.
  - DIELECTRIC WITHSTANDING: 1000 VAC
  - OPERATING TEMPERATURE: -40°C TO + 105°C
  - PROCESSING TEMP.: 230°C MAX FOR 60 SECONDS (260°C MAX FOR 10 SECONDS)
  - MATES WITH SFH11, SFH210 & SFH213 SERIES



RoHS COMPLIANT

### REVISIONS

REV.	ECO. NO	DESCRIPTION	DATE	BY
D	2721	ADD 30 - 32 POSITIONS FRONT VIEW	01/22/2013	LH
E	2835	UPGRADE INSULATOR MATERIAL NYLON 9T(WAS NYLON 6T), UPDATE SMT TAIL COPLANAR TOLERANCE & ADD 30 - 32 POSITIONS WARP TOLERANCE 0.4mm MAX.	04/07/2014	LH
F	3071	UPDATE TOLERANCE FOR 'B', DIMENSION AND TOLERANCE FOR 'C'	9/25/2014	LH
H	3219	UPDATE INSULATOR COLOR OPTIONS, ADD WARP TOL FOR POS 03-10 & 12-25 AND UPDATE SMT PROFILE TOLERANCE	06/11/2015	LH



### RECOMMENDED PCB LAYOUT

PART NUMBER	POSITIONS/ CONTACTS	A		B		C	
		INCH	MM	INCH	MM	INCH	MM
SBH11-NBPC-D03-SM-BK	03/06	0.200	5.08	0.595	15.12	0.509	12.92
SBH11-NBPC-D04-SM-BK	04/08	0.300	7.62	0.695	17.66	0.609	15.46
SBH11-NBPC-D05-SM-BK	05/10	0.400	10.16	0.795	20.20	0.709	18.00
SBH11-NBPC-D06-SM-BK	06/12	0.500	12.70	0.895	22.74	0.809	20.54
SBH11-NBPC-D07-SM-BK	07/14	0.600	15.24	0.995	25.28	0.909	23.08
SBH11-NBPC-D08-SM-BK	08/16	0.700	17.78	1.095	27.82	1.009	25.62
SBH11-NBPC-D10-SM-BK	10/20	0.900	22.86	1.295	32.90	1.209	30.70
SBH11-NBPC-D12-SM-BK	12/24	1.100	27.94	1.495	37.98	1.409	35.78
SBH11-NBPC-D13-SM-BK	13/26	1.200	30.48	1.595	40.52	1.509	38.32
SBH11-NBPC-D15-SM-BK	15/30	1.400	35.56	1.795	45.60	1.709	43.40
SBH11-NBPC-D17-SM-BK	17/34	1.600	40.64	1.995	50.68	1.909	48.48
SBH11-NBPC-D20-SM-BK	20/40	1.900	48.26	2.295	58.30	2.209	56.10
SBH11-NBPC-D25-SM-BK	25/50	2.400	60.96	2.795	71.00	2.709	68.80
SBH11-NBPC-D30-SM-BK	30/60	2.900	73.66	3.295	83.70	3.209	81.50
SBH11-NBPC-D32-SM-BK	32/64	3.100	78.74	3.495	88.78	3.409	86.58

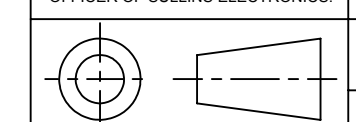
UNLESS OTHERWISE SPECIFIED:  
DIMENSIONS ARE IN INCHES (MM)

TOLERANCES:  
ANGULAR: ± 1°

DECIMALS  
.XX = ± .01 [0.3]  
.XXX = ± .008 [0.20]  
.XXXX = ± .0040 [0.100]

DRAWN: 05/08/08  
DATE: VJ  
NAME:

THE INFORMATION HEREIN CONTAINS PROPRIETARY INFORMATION OF SULLINS ELECTRONICS AND IS NOT TO BE REPRODUCED, USED OR DISCLOSED TO OTHERS FOR ANY PURPOSE EXCEPT AS SPECIFICALLY AUTHORIZED IN WRITING BY AN OFFICER OF SULLINS ELECTRONICS.



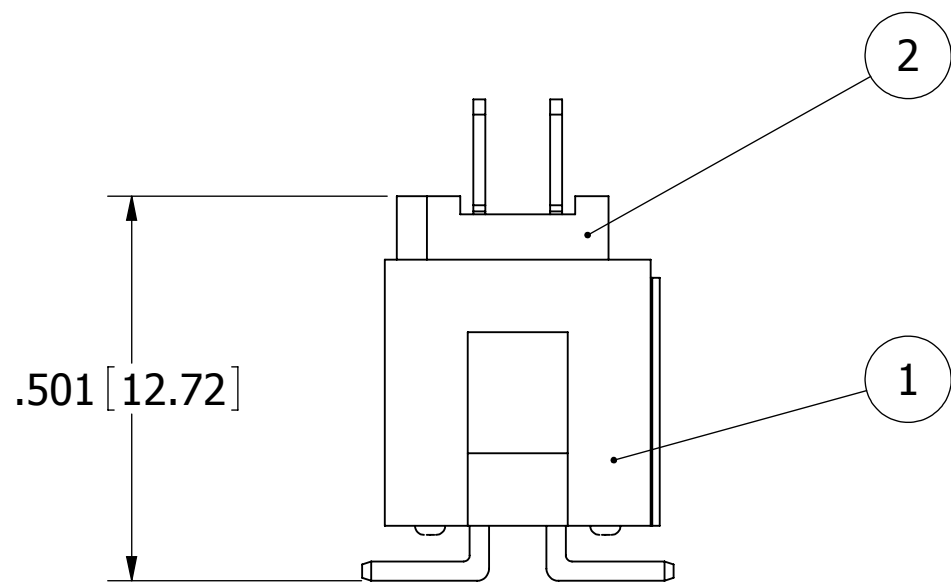
**SULLINS**  
CONNECTOR SOLUTIONS

TITLE: **BOX HEADER, .100[2.54] CC/RS SM**

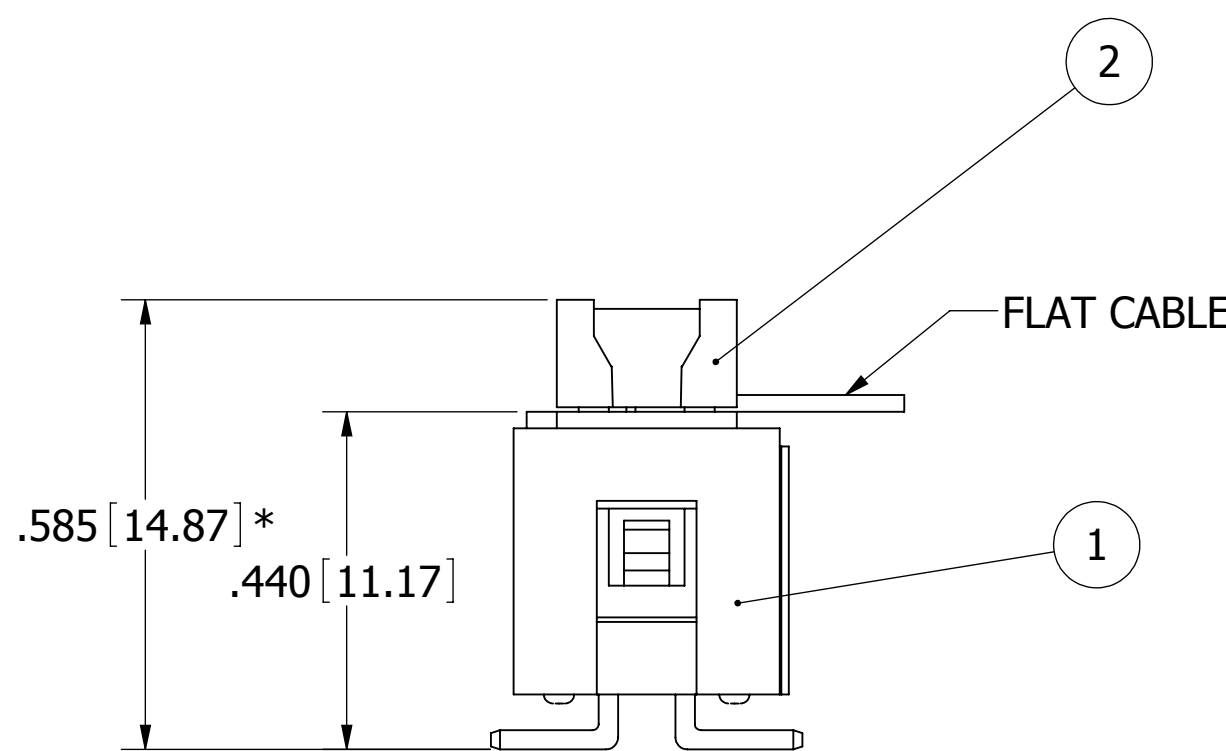
PART NUMBER: **SBH11-NBPC-D\_\_-SM-BK**

SIZE: **C** CAGE CODE: **54453** DWG. NO.: **11093** REV: **H**

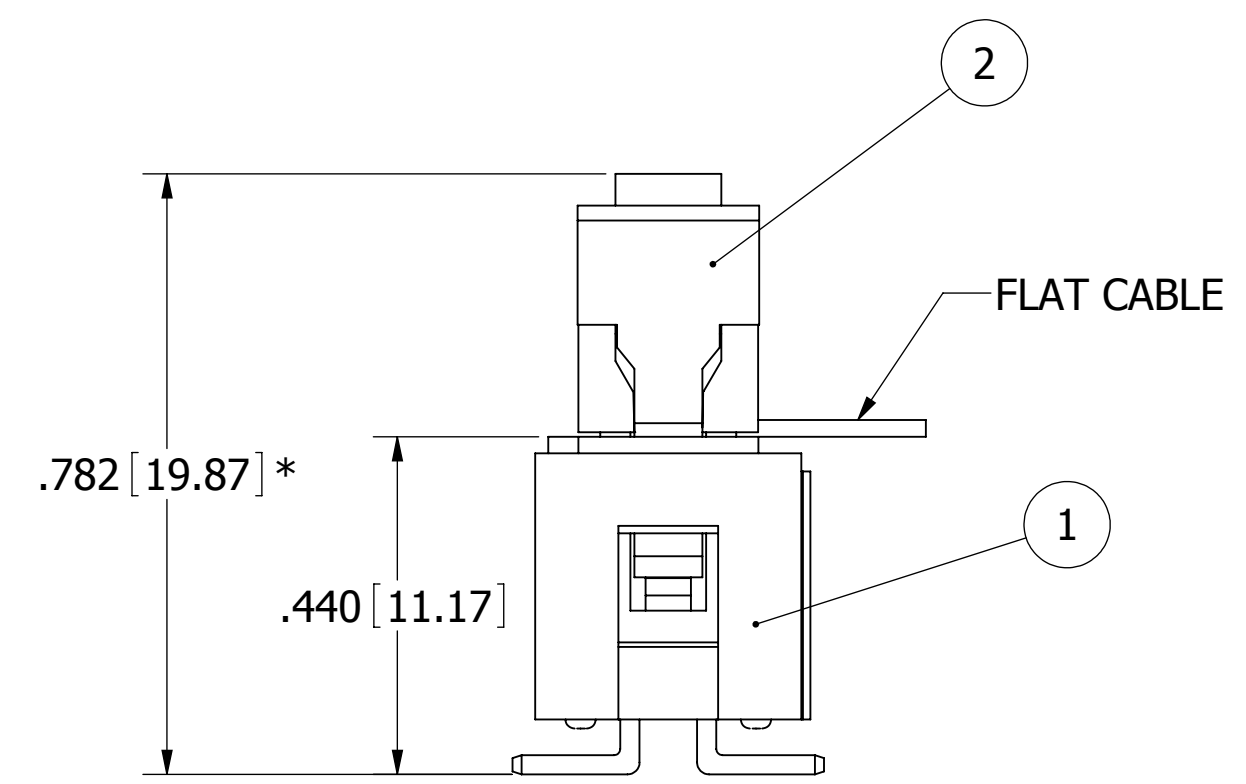
SCALE: 3:1 SHEET 1 OF 2



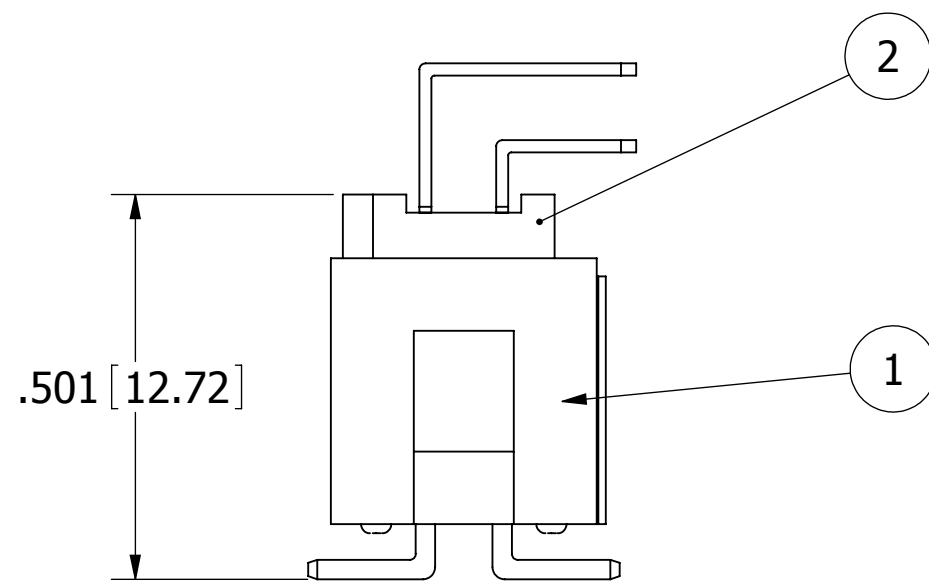
<b>ITEM 1</b>	<b>SBH11-NBPC-D__-SM-BK</b>
<b>ITEM 2 (MATES)</b>	<b>SFH11-P__C-D__-ST-BK ( with polarizing key )</b>
	<b>SFH11-P__C-D__-ST-BK-M181 ( without polarizing key )</b>



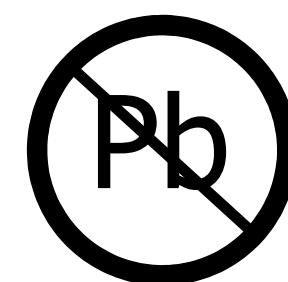
<b>ITEM 1</b>	<b>SBH11-NBPC-D__-SM-BK</b>
<b>ITEM 2** (MATES)</b>	<b>SFH210-PP_C-D__-ID-BK (with polarizing key &amp; without strain relief)</b>
	<b>SFH210-PP_C-D__-ID-BK-M181 (without polarizing key &amp; strain relief)</b>
<b>** COMPONENTS FOR POSITION # 3-25 AS SHOWN</b>	
<b>* APPROXIMATE FOR ALL AVAILABLE POSITION NUMBERS</b>	



<b>ITEM 1</b>	<b>SBH11-NBPC-D__-SM-BK</b>
<b>ITEM 2** (MATES)</b>	<b>SFH213-PP_C-D__-ID-BK (with polarizing key &amp; strain relief)</b>
	<b>SFH213-PP_C-D__-ID-BK-M181 (without polarizing key &amp; with strain relief)</b>
<b>** COMPONENTS FOR POSITION # 3-25 AS SHOWN</b>	
<b>* APPROXIMATE FOR ALL AVAILABLE POSITION NUMBERS</b>	



<b>ITEM 1</b>	<b>SBH11-NBPC-D__-SM-BK</b>
<b>ITEM 2 (MATES)</b>	<b>SFH11-P__C-D__-RA-BK ( with polarizing key )</b>
	<b>SFH11-P__C-D__-RA-BK-M181 ( without polarizing key )</b>



RoHS COMPLIANT

UNLESS OTHERWISE SPECIFIED: DIMENSIONS ARE IN INCHES [MM]	DRAWN	DATE	NAME	
		05/08/08	VJ	
TOLERANCES: ANGULAR: ± 1°  DECIMALS .XX = ± .01 [0.3] .XXX = ± .008 [0.20] .XXXX = ± .0040 [0.100]	<small>THE INFORMATION HEREIN CONTAINS PROPRIETARY INFORMATION OF SULLINS ELECTRONICS AND IS NOT TO BE REPRODUCED, USED OR DISCLOSED TO OTHERS FOR ANY PURPOSE EXCEPT AS SPECIFICALLY AUTHORIZED IN WRITING BY AN OFFICER OF SULLINS ELECTRONICS.</small>			TITLE
				BOX HEADER, .100[2.54] CC/RS SM
PART NUMBER				SBH11-NBPC-D__-SM-BK
SIZE	CAGE CODE	DWG. NO.	REV	
C	54453	11093	H	
SCALE: 2:1		SHEET 2 OF 2		