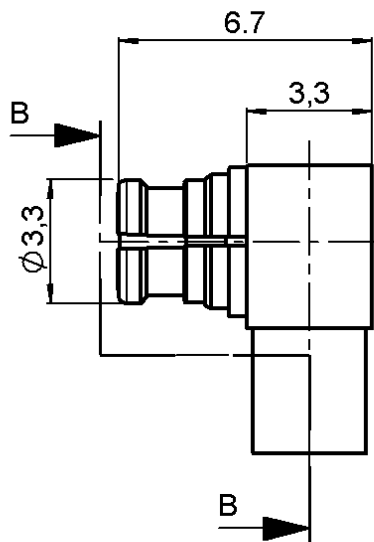


RIGHT ANGLE PLUG SOLDER TYPE

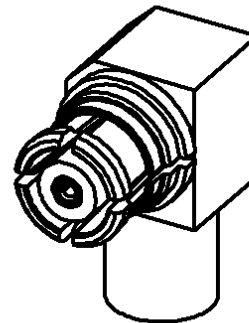
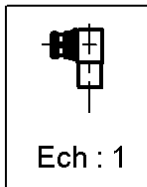
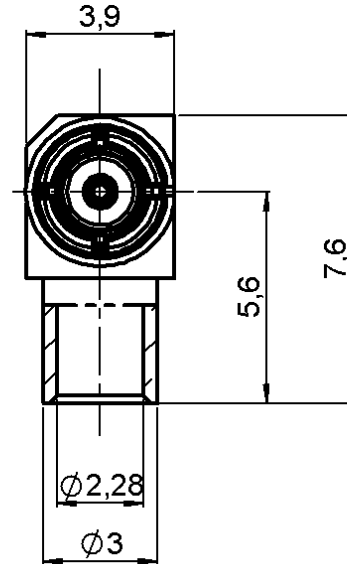
R222.900.340

CABLE .085

Series : SMP-COM



COUPE B-B



All dimensions are in mm.



COMPONENTS	MATERIALS	PLATING (µm)
BODY	BRASS	NPGR
CENTER CONTACT	BERYLLIUM COPPER	NPGR
OUTER CONTACT	BERYLLIUM COPPER	NPGR
INSULATOR	PTFE	
GASKET	-	
OTHERS PARTS	BRASS	NPGR
-	-	-
-	-	-

Issue : 0633 A

In the effort to improve our products, we reserve the right to make changes judged to be necessary.



RIGHT ANGLE PLUG SOLDER TYPE

R222.900.340

CABLE .085

Series : SMP-COM

PACKAGING

Standard	Unit	Other
100	'W' option	Contact us

SPECIFICATION

ELECTRICAL CHARACTERISTICS

Impedance	50	Ω
Frequency	0-12.4*	GHz
VSWR	1.25** + 0,0000	x F(GHz) Maxi
Insertion loss	0.12	\sqrt{F} (GHz) dB Maxi
RF leakage	- (55***	- F(GHz)) dB Maxi
Voltage rating	250	Veff Maxi
Dielectric withstanding voltage	500	Veff mini
Insulation resistance	5000	M Ω mini

CABLE ASSEMBLY

Stripping	a	b	c	d	e	f
mm	3,17	0,00	0,00	0,00	0,00	0,00

Assembly instruction : **Solder 02**

Recommended cable(s)
KS 1
RG 405

Characteristics indicated on this data sheet are those that can be achieved with the highest performance cable. Intrinsic limitations of the cable may diminish the performance of the assembly

Cable retention

- pull off **200** N mini
- torque **NA** N.cm

MECHANICAL CHARACTERISTICS

Center contact retention		
Axial force – Mating end	6.8	N mini
Axial force – Opposite end	6.8	N mini
Torque	NA	N.cm mini

TOOLING

Part Number	Description	Hexagon
.	.	.
R282.051.000	STRIPPING TOOL	
R282.063.000	POINTER GAUGE	
R282.740.030	SOLDERING MOUNTING	
R282.743.120	POSITIONER FOR SOLDERING SMP	

Recommended torque		
Mating		N.cm
Panel nut		N.cm
Clamp nut		N.cm
A/F clamp nut	0,0000	mm

Mating life	100	Cycles mini
Weight	0,5685	g

OTHER CHARACTERISTICS

- * ROS 1.7 at 12.4GHz
- ** ROS at 6GHz
- ***RF Leakage : -40dB min 3<F<6GHz

ENVIRONMENTAL

Operating temperature	-55/+105	$^{\circ}$ C
Hermetic seal		Atm.cm3/s
Panel leakage		

Issue : 0633 A

In the effort to improve our products, we reserve the right to make changes judged to be necessary.



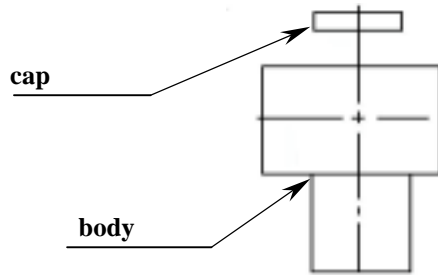
RIGHT ANGLE PLUG SOLDER TYPE

R222.900.340

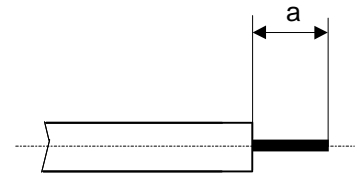
CABLE .085

Series : SMP-COM

COMPONENT



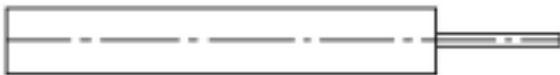
STRIPPING CABLES



We recommend a thermal preconditioning cable

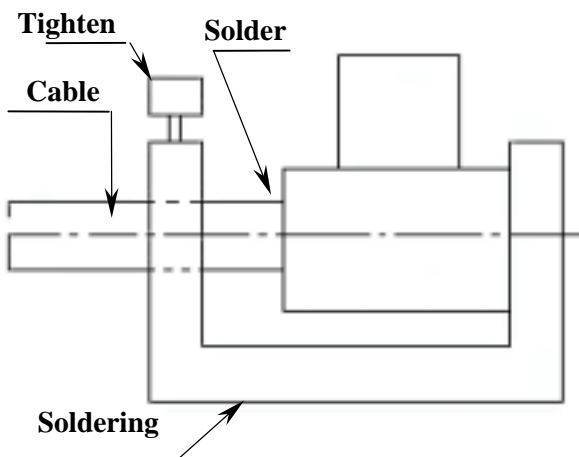
1

Strip the dielectric of the cable .
Clean the cable .
Soldering Sn Pb 180°
Temperature stoking do not exceeded 250° max



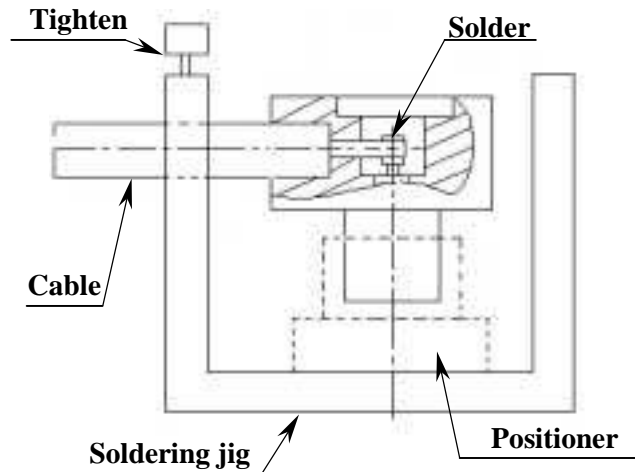
2

Slide cable and connector onto the soldering jig.
Slide cable into connector until it bottoms againsts the body and tighten.
Solder the body onto the cable .



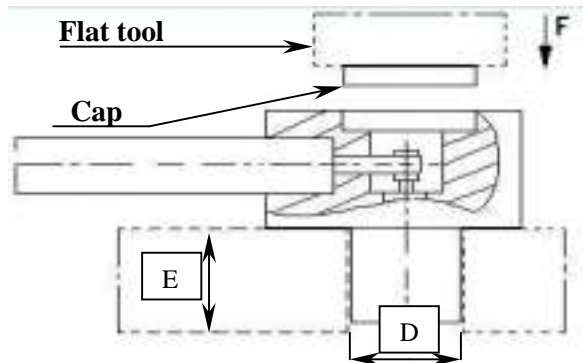
3

After cooling remove cable assembly from the jig .
Slide body into positioner until it bottoms againsts the positioner .
Slide cable assembly onto the jig .
Tighten and solder the contact.
After cooling remove cable assembly from the jig.



4

Place cable assembly into a dia D = 3.8 +-0.1 and thickness E = 4 +-0.1 .
Place cable assembly above a flat pressing tool .
To fit the cap until it bottoms againsts the body .
(direction F)



Issue : 0633 A

In the effort to improve our products, we reserve the right to make changes judged to be necessary.

